

DR[®] TRIMMER/MOWER™



DuraBlade™ Kit# 31317

-This Kit applies to Trimmers with serial number TRM156200 and above-

These instructions are for the installation and operation of the DuraBlade™ Kit. Refer to your Trimmer/Mower Safety and Operating Instruction manual for the safe operation of your Trimmer/Mower. Please keep these instructions with your Trimmer/Mower Safety and Operating Manual for future reference.

Parts Supplied (Figure 1):

Item #	Part #	Description	Qty
1	31314	Mow-Ball, DuraBlade™	1
2	30437	Blade, Flail, DuraBlade™	6
3	31316	Plate, Washer	1
4	35093	Adapter, Line Plate	1

Compare the contents of the Shipping Box with the “Parts Supplied” list above. If you have any questions please contact us at www.DRpower.com or call 1-800-DR-OWNER (376-9637) for assistance.

⚠ WARNING

Before performing any maintenance procedure or inspection, stop the engine, wait five minutes to allow all parts to cool. Disconnect the spark plug wire, keeping it away from the spark plug.

Installation

Tools Needed:

- #3 Phillips head Screwdriver with at least a 6" shank
- Gloves

1. Insert the Screwdriver into the hole in the Anti-Wrap Can and rotate the Mow-Ball® until the tool slides into a second hole in the shaft, locking it into place (**Figure 2**).
2. Looking down at the top of the Frame, turn the Mow-Ball® clockwise until it unscrews completely from the Bearing Housing.

Note: If the Mow-Ball® continues to turn, but does not come off, check to be sure that you locked the Screwdriver into the shaft. If it is too tight and will not turn by hand, use a socket wrench to loosen the Bolt Head at the bottom of the Mow Ball.

3. Remove the Mow Ball and Bolt from the Bottom of the stack of Line Plates.
4. Remove any cutting Cords from the Line Plates.
5. Position three Flail Blades onto the Pins of the new Mow-Ball (**Figure 3**).

Note: Six Blades came with your Kit. Three of them are spares.

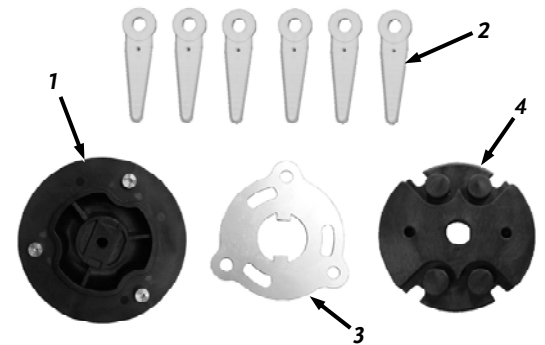


Figure 1

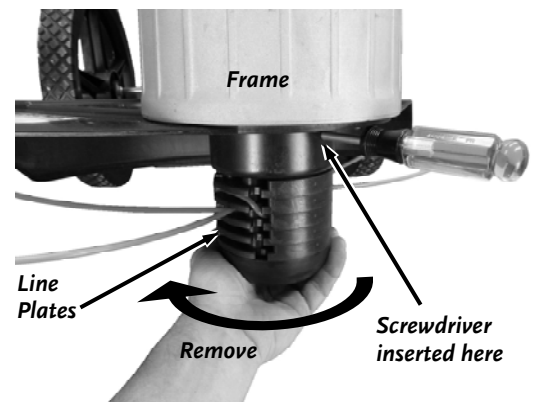


Figure 2

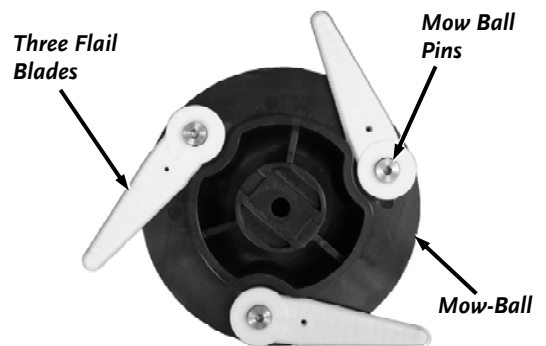


Figure 3

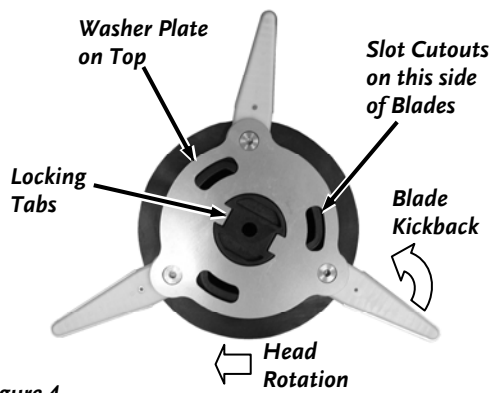


Figure 4

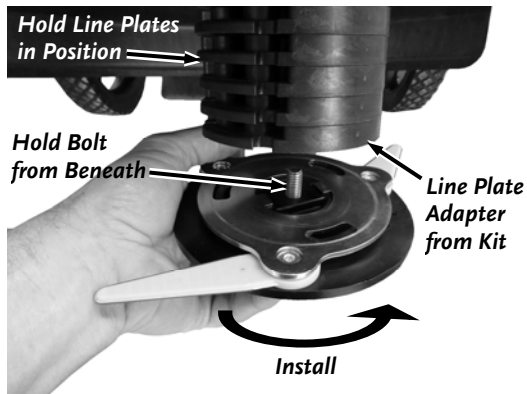


Figure 5

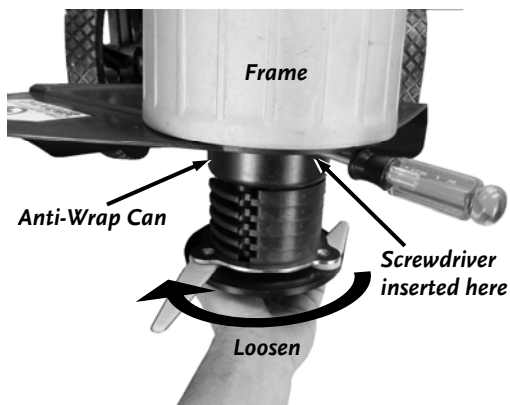


Figure 6

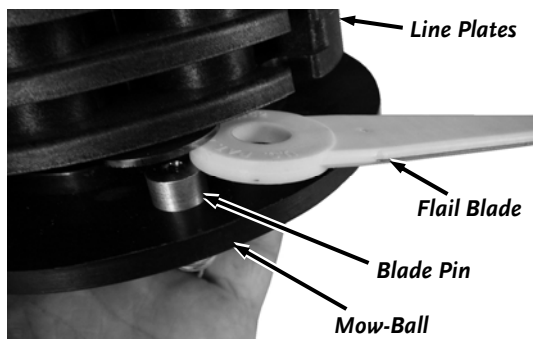


Figure 7

6. Place the Washer Plate over the Blades and onto the Pins in the orientation shown (slots at the left side of Blades) (**Figure 4**).

Note: The bottom Line Plate on newer machines has buttons protruding down and will not fit with the DuraBlade parts. The Line Plate that came with the kit will replace your existing bottom Line Plate.

7. Remove the existing bottom Line Plate and install the Line Plate Adapter from the Kit (**Figure 5**).

8. Position the DuraBlade™ Assembly with Bolt onto the bottom Line Plate and screw the assembly into the machine until snug.

9. Remove the Screwdriver.

DuraBlade™ Operation Notes

- The DuraBlades are ideal for cutting burdocks, brambles, small saplings (3/8" diameter max), and stocky weeds.
- Pins may spin freely after use. There is no need to retighten. The Pins will remain secured by the Locknuts.
- Some wearing of the Mow Ball from Blade kickback is expected and not a cause for concern.
- The Blades can be flipped over for extended use when the leading edge becomes worn, however if the Blades are broken they must be replaced.
- An increase in vibration is an indicator that a Blade has been damaged by a solid object. Check and replace Blades as needed.

Replacing the Flail Blades

Tools Needed:

- #3 Phillips head Screwdriver with at least a 6" shank
- Gloves

Note: When replacing the Flail Blades the DuraBlade Mow-Ball only needs to be loosened and not removed from the machine.

1. Insert the Screwdriver into the hole in the Anti-Wrap Can and rotate the Mow-Ball® until the tool slides into a second hole that is in the shaft, locking it into place (**Figure 6**).
2. Looking down at the top of the Frame, turn the Mow-Ball® clockwise only until it is loose enough to remove the Flail Blades from the Head assembly.
3. Remove the used Blades and install new Blades onto the Pins (**Figure 7**).
4. Make sure that the Mow-Ball, Blades and Washer Plate are positioned correctly and locked into the Line Plates as you retighten the Mow Ball until snug.
5. Remove the Screwdriver.

If you have any questions please contact us at www.DRpower.com or call 1-800-DR-OWNER (376-9637) for assistance.