

DR[®] LEAF & LAWN VACUUM



Jack kit# 34270

These instructions are for installation of the Jack Kit for the DR LEAF AND LAWN VACUUM. Please keep these instructions with your DR LEAF and LAWN VACUUM Safety and Operating Instructions manual for reference.

Parts Supplied:

Part #	Description	Qty
34269	Jack, Trailer	1
33333	Nut, Nylon Lock, Flange, 3/8-16	2
11152	Bolt, HCS, 3/8-16 X 1", GR5, ZP	2

Compare the contents of the Shipping Box with the "Parts Supplied" list above. If you have any questions please contact us at www.DRpower.com or call 1-800-DR-OWNER (376-9637) for assistance.

Tools needed:

- 9/16" Wrench
- Jack Stand

WARNING

Before performing any maintenance procedure or inspection, stop the engine, wait five minutes to allow all parts to cool. Disconnect the spark plug wire, keeping it away from the spark plug.

1. Support the Frame with a Jack Stand so there is enough clearance to install the Jack.
2. Attach the Jack to the right hand side of the Frame with two Bolts and Locknuts using two 9/16" Wrenches (**Figure 1**).
3. Remove the Jack Stand.

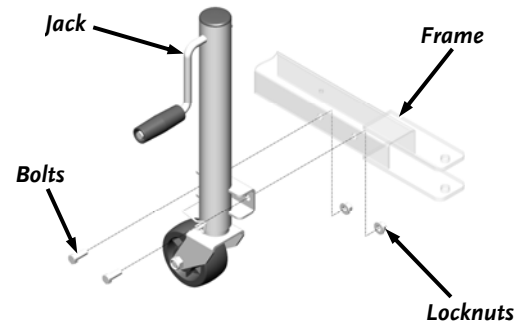


Figure 1

NOTICE

Before using or towing the Leaf and Lawn Vacuum always raise the Jack Wheel fully and install the Locking Pin.

If you have any questions please contact us at www.DRpower.com or call 1-800-DR-OWNER (376-9637) for assistance.