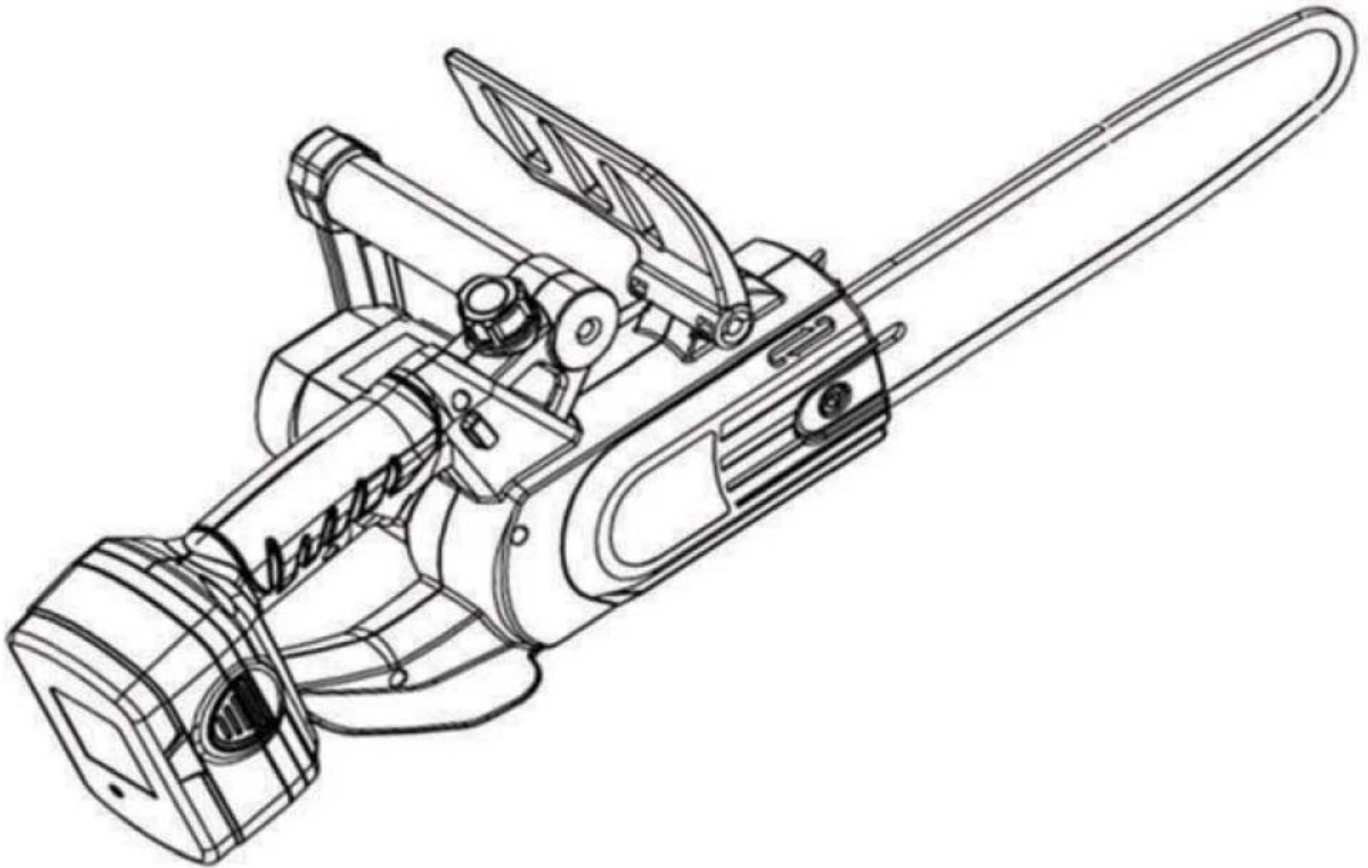




Battery-Powered Chain Saw

Safety & Operating Instructions



NEUTON® Power Equipment

75 Meigs Road
P.O. Box 25
Vergennes, VT 05491

Toll-Free phone: **1-866-NEUTON1 (638-8661)**

Fax: 1-802-877-1213

Website: www.neutonpower.com

E-MAIL: INFO@NEUTONPOWER.COM



Read and understand this manual and all instructions before operating this Chain Saw.

Table of Contents

Chapter 1: Important Safety Considerations.....	2
Chapter 2: Unpacking the NEUTON Battery-Powered Chain Saw and Charging the Battery Pack.....	4
Chapter 3: Operating Your NEUTON Battery-Powered Chain Saw	6
Chapter 4: Maintaining Your NEUTON Battery-Powered Chain Saw	7
Chapter 5: Troubleshooting Your NEUTON Battery-Powered Chain Saw	8
Chapter 6: Parts List, Schematic Diagram, and Warranty	9

Conventions used in this Manual



This indicates a hazardous situation, which, if not followed, *will result in death or serious injury.*



This indicates a hazardous situation, which, if not avoided, *could result in death or serious injury.*



This indicates a hazardous situation, which, if not avoided, *could result in minor or moderate injury.*



This information is important in the proper use of your Saw. Failure to follow this instruction could result in damage to your Saw or property.

TIP: This is a helpful hint to guide you in getting the most out of your NEUTON Battery-Powered Chain Saw.

NOTE: This information may be helpful to you in using your Saw.

Neuton Inc. reserves the right to discontinue, change, and improve its products at any time without notice or obligation to the purchaser. The descriptions and specifications contained in this manual were in effect at printing. Equipment described within this manual may be optional. Some illustrations may not be applicable to your equipment.

NEUTON Battery-Powered Chain Saw Product Specifications

Motor	
Input	18V DC
Controls	
ON/OFF	One (1) Trigger Switch w/Release Button
Handles	Soft Grip Rubber over Molded Handles
Chain Saw Housing	
Material	Injected Polypropylene
Bar Length	8 inches –Oregon Bar w/Safety Tip Blade & Protective Cover
Weight	5.9 lbs. (including Battery)
Bar, Chain & Motor Oiling	Automatic Pump System w/Oil Level Window
Battery Pack	
Voltage	18V DC, 1.7 AH
Battery Pack Charger	Included with Saw. 18V Charger, plugs into standard electrical outlet
Charge Time	5-6 Hours to recharge
Replacement	Easy to snap-in and out of Saw housing

Chapter 1: Important Safety Considerations

We want you to enjoy years of safe and productive use from your NEUTON Battery-Powered Chain Saw. We do not want you injured, so please take a few moments to read the following instructions for safely operating your new Tool.

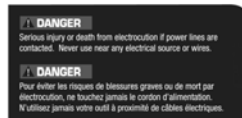
Take a moment to study the following labels and make a note of their location *before* you operate the Saw. Replace damaged or missing safety and information labels immediately.



WARNING Label on Motor Housing



DANGER of Electrocutation Label on Motor Housing



Battery Pack WARNING Label

Protecting Yourself and Those around You

WARNING!

- Tragic accidents can occur if the operator is not alert to the presence of children. Children are often attracted to the Saw and the activity of cutting. Never assume that children will remain where you last saw them.
- When felling a tree, keep everyone a safe distance from the cutting area. During felling operations, the safe distance should be at least twice the height of the largest trees in the felling area. If the tree makes contact with any utility line, notify the utility company immediately.
- If the tree starts to fall in the wrong direction, or if the Saw is caught or hung up during the fall, leave the Saw and save yourself.
- Only allow responsible individuals who have a thorough understanding of these instructions to operate the Saw. Never allow children to operate the tool.
- If you are ever unsure about an action you are about to take, please do not do it.

Dressing Appropriately

WARNING!

- Always wear protective goggles or safety glasses with side shields that are marked to comply with ANSI Z87.1 standard when using your NEUTON Battery-Powered Chain Saw to protect against thrown chips.
- We recommend the use of ear protectors or earplugs rated for at least 20 DBA to protect your hearing.
- Wear shoes with non-slip treads when using the Saw. If you have safety shoes, wear them. Do not use the Saw while barefoot or wearing sandals with exposed toes or heels.
- Wear protective hair covering to contain long hair and avoid wearing loose clothing or jewelry, which can catch on the Saw's chain.
- We recommend wearing long pants and non-slip rubber gloves while using this Saw. Be sure the gloves fit properly and do not have loose cuffs or drawstrings.

Preparing to Use Your Chain Saw

WARNING!

Read, understand, and follow all instructions on the Saw and in the manual. Be thoroughly familiar with the control and the proper use of the Saw before starting.

Operating Your Chain Saw Safely

DANGER!

- If the Saw jams on any electrical cord or line, **DO NOT TOUCH THE BAR OR CHAIN, THEY CAN BECOME ELECTRICALLY LIVE AND VERY DANGEROUS.** Safely disconnect the damaged electrical cord or line from its power source. If possible, do so safely. If in doubt, call an electrician or an electrical contractor for assistance. Failure to heed this DANGER will result in death or serious personal injury.
- This Saw can sever body parts! Keep hands and feet away from the Chain and always keep both hands on the Handles when using the Saw.

WARNING!

- Do not use your NEUTON Battery-Powered Chain Saw for any job other than the intended use.
- Avoid unintentional starting - never carry the NEUTON Battery-Powered Chain Saw with your finger on the ON/OFF Trigger.
- Never use the Guard as a handle; this could result in a serious personal injury.
- Remove the Battery Pack when inspecting or cleaning material from the Saw.
- Never pick up or hold the Saw by the cutting Chain.
- Be aware that the cutting Chain coasts to a stop after releasing the ON/OFF Trigger; it does not stop immediately.
- Do not operate the Saw in gaseous or explosive atmospheres. Motors in these tools normally spark, and the sparks might ignite fumes.
- Do not operate the Saw while in a tree, on a ladder or on a scaffold.

CAUTION!

- Do not force the Chain Saw - it will do the job better and with less likelihood of a risk of injury when cutting at its own rate.
- Never over reach the work when using the Saw. Always keep proper footing and balance at all times.
- Use extreme caution when cutting small size brush, saplings or limbs under tension, because slender and tense material may catch the Saw and be whipped toward you, or spring back, pulling you off balance. Do not cut small vines and/or small underbrush.
- If the Saw vibrates abnormally, stop the motor, remove the Battery Pack, and inspect the tool for any damage. Check for alignment of moving parts, binding of moving parts, breakage of parts, mounting and any other condition that may affect its operation. Repair the damage before restarting and operating the Saw. **Note:** *Excessive vibration is generally a sign of trouble.*
- Never use the Saw with a damaged or missing Guard.
- Do not operate the Saw if it does not start normally or stop normally with the ON/OFF Trigger Switch.
- Stay alert and watch what you are doing. Do not operate the Saw when you are tired or under the influence of medication, drugs, or alcohol.
- Never operate the Saw in the rain.
- Operate only in daylight or in an area well lit by artificial light.

Handling the Battery Pack Safely

WARNING!

- Always charge the Battery Pack indoors, never charge it the rain or in wet conditions.
- Use only the Charger provided to charge the Battery Pack. Use of a different Charger may cause a fire or explosion.
- Never attempt to alter or open the Battery Pack or Charger. There are no customer serviceable parts inside. Use normal household voltage (110 volts) when charging the Battery Pack. Plug the Charger Power Supply directly into the electrical outlet.
- Exercise care in handling the Battery Pack in order not to short-circuit it with conducting materials such as rings, bracelets, and keys. When short-circuited, the Battery Pack or conductor may overheat and cause burns.
- Never dispose of the Battery Pack in a fire, as the Battery Pack may explode. Never open or mutilate the Battery Pack; released electrolyte is corrosive and will cause damage to eyes, skin, or clothes. Battery Pack electrolyte is toxic if swallowed or if you inhale the fumes.
- A small leakage of liquid from the Battery Pack may occur under extreme usage, charging, or temperature conditions. This does not indicate a failure. However, if the outer seal is broken and this leakage gets on your skin, wash quickly with soap and water and neutralize with a mild acid such as lemon juice or vinegar. If the Battery Pack liquid gets in your eyes, flush them with clean water for a minimum of 10 minutes and seek immediate medical attention.
- Please dispose of your used Battery Packs responsibly by recycling them, never throw away used Battery Packs in your household trash. Call your local Solid Waste Management District or your local waste handler to locate the collection site nearest you. Some collection sites recycle Battery Packs year-round; others collect them periodically.

You can also visit the Web site of Earth 911 for more information [www.earth911.org]. Once there, click the Municipal HHW link under Hazardous Household Waste, and enter your zip code. The site lists recycling centers located near you. You can also visit our website www.neutronpower.com and click on "Customer Service" to find distribution centers across the country that will accept your Battery Pack for 100% recycling of the plastic, nickel and cadmium.

To learn more about hazardous waste recycling, visit the Web site for the Environmental Protection Agency [www.epa.gov].

No list of Warnings and Cautions can be all-inclusive. If situations occur not covered by this manual, the operator must apply common sense and operate the NEUTON Battery-Powered Chain Saw in a safe manner. Visit our website at www.neutronpower.com or call Toll Free: **1-866-NEUTON1 (638-8661)** for assistance.

Chapter 2: Unpacking the NEUTON Battery-Powered Chain Saw and Charging the Battery Pack

Carton Contents:

- NEUTON Battery-Powered Chain Saw (fully assembled) w/Bar Chain Cover
- Battery Pack and Charger
- (1) Bottle of Bar & Chain Oil
- *Safety and Operating Instructions*

Unpacking:

1. Carefully remove the Chain Saw, Battery Pack, Charger, Oil, and the *Safety and Operating Instructions* from the Shipping Carton. Make sure that all items listed in the Carton Contents are included.
2. Inspect the product carefully to make sure no breakage or damage occurred during shipping. If you find damaged or missing parts, call Toll Free: **1-866-NEUTON1 (638-8661)** for assistance.

NOTE: *Do not discard the Shipping Carton and packaging material until you are fully satisfied with your new NEUTON Battery-Powered Chain Saw.*

Charge the Battery Pack before your first use.

The NEUTON Battery-Powered Chain Saw comes with a sealed, Nickel-Cadmium Battery Pack. The Battery Pack is 18 volts and rated at 1.7 amp-hours. The Battery Pack should not leak, regardless of the position in which it is stored. Read "Handling the Battery Safely" in Chapter 1 for additional information. The Battery Pack is completely maintenance free. You never need to add water. With all rechargeable Batteries, after years of use, they will eventually need replacement.

You **MUST** charge the Battery Pack for at least five (5) to six (6) hours before you use the Saw for the first time. If you do not charge it before using the Saw, the Battery Pack's charging capacity may decrease.

! NOTICE!

- Make sure the Charger Power Supply is plugged into a normal household voltage, 120volts, 60Hz, AC only.
- You should operate the Battery Charger in a dry place with temperatures between 40°F (5°C) and +95°F (+35°C).
- Disconnect Charger Power Supply from the household voltage power when not in use to prevent damage to the Charger during a power surge.
- Periodically inspect the Cord on the Charger unit for damage. If damage occurs, do not use the Charger until you have replaced or repaired the Cord. Do not abuse the Cord. Never carry the Charger by the Cord. Always pull the plug – and not the Cord – when disconnecting the Power Supply from the electrical outlet (wall outlet) and from the Charger. When using an extension Cord with your Charger, use a heavy-duty extension Cord.
- It may take up to five (5) charging and discharging cycles before your Battery Pack provides maximum life.
- A Battery Pack may last much longer if you charge it as soon as it starts to lose power and not let it completely discharge. Recharge the Battery Pack as soon as the cutting power of your NEUTON Battery-Powered Chain Saw is no longer effective. This would be a good time to have a spare Battery Pack ready to go. Recharge the Battery Pack for five (5) to six (6) hours and remove it from the Charger.
- A good time to consider purchasing a replacement Battery Pack is when the Battery Pack takes longer than six (6) hours to charge.

1. Plug the Charger Power Supply into a standard household electrical outlet (**Figure 1**).
2. Place Battery Pack in the Charger (**Figure 1**). The Battery Pack and Charger have keyways so they will fit together only one way. When properly connected, the RED Charger Indicator Light (LED) will glow (**Figure 1**).

NOTE: The Charger Indicator Light will glow RED continuously while charging. When fully charged the LED light will glow GREEN.

! CAUTION!

When installing the Battery Pack, **DO NOT** push the Lock-Off Button or squeeze the Trigger ON/OFF Switch (**Figure 2**).

1. Install the Charged Battery Pack in your NEUTON Battery-Powered Chain Saw by aligning the connector on the Battery Pack with the receptacle at the rear of the Saw and insert the Battery Pack (**Figure 2**) until the Latches on each side of the Battery Pack snap into place; assuring a secure connection to the Saw. Again, the Battery Pack and Saw Housing have keyways so they will fit together only one way.
2. To remove the Battery Pack, simply press both Latches on sides of the Battery Pack to release the Battery Pack from the NEUTON Battery-Powered Chain Saw Housing (**Figure 2**) and pull the Battery Pack straight out.

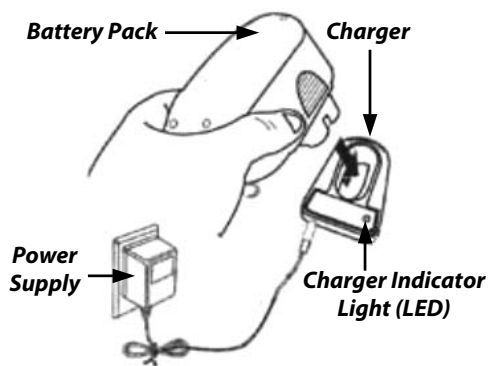


Figure 1

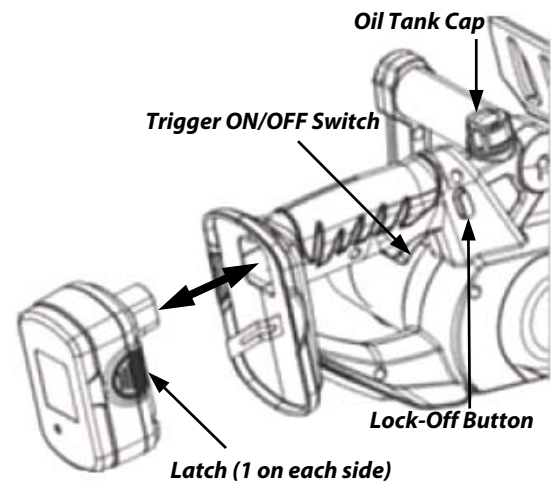


Figure 2

Chapter 3: Operating Your NEUTON Battery-Powered Chain Saw

Starting and Stopping the Saw

! NOTICE!

- Before starting the Saw, remove the Oil Tank Cap (**Figure 2** on page 5) and add the #32 Bar & Chain Oil provided. One (1) minute of use will consume approximately 0.15 fl. oz. (5ml) of oil. Refill when the oil level drops to 1/4 of a tank.

NOTE: Your NEUTON Battery-Powered Chain Saw is equipped with an Automatic Oil Pump for Bar and Chain oiling.

- Starting, stopping, and restarting an electric Motor repeatedly within a few seconds can generate a great deal of heat and damage the Motor. To protect the life of your NEUTON Battery-Powered Chain Saw, always wait at least five (5) seconds after stopping before restarting the Saw.

! WARNING!

Be certain that the Chain is not in contact with any object when you start the Motor.

1. Perform the Daily Checks listed on the back cover of this manual.
2. Firmly grip the Rear Handle with your right hand and the Front Handle with your left hand (whether or not you are right handed or left handed).
3. Push the Lock-Off Button IN (**Figure 2** on page 5) with your right thumb and squeeze the Trigger ON/OFF Switch with your right finger. Once the Motor starts you can remove your thumb from the Lock-Off Button. If the Saw does not start, make sure the Battery Pack is charged and locked firmly into place in the Saw Housing.
4. To stop the Saw, simply release the Trigger ON/OFF Switch.

Using the Saw

! WARNING!

Kickback of the Saw is a condition that may occur when the moving Chain contacts an object at the upper portion of the Tip of the Guide Bar (**Figure 3**) or when the wood closes in and pinches the Chain Saw in the cut causing the Chain to stop for an instant. The result is a lightening fast, reverse reaction that kicks the Guide Bar up and back toward the operator that can cause loss of Saw control which can result in serious injury. Do not rely exclusively upon the safety devices built into the Saw.

As a Chain Saw user, you should take several steps to keep your cutting jobs free from accident or injury. You should observe the following precautions to minimize Kickback:

- Always grip the Saw firmly with both hands. A firm grip together with a stiff left arm will help you maintain control of the Saw if Kickback occurs.
- Make sure that the area in which you are cutting is free from obstructions. Don't let the Nose of the Guide Bar contact a log, branch, fence or any other obstruction that could be hit while you are operating the Saw.
- Push and Pull - This is a reaction force always opposite to the direction the Chain is moving where contacting the wood. Thus, the operator must be ready to control the PULL when cutting on the bottom edge of the Bar, and PUSH when cutting along the top edge.

Proper Cutting Stance (Figure 4)

- Balance your weight with both feet on solid ground.
- Keep left arm with elbow locked in a "straight arm" position to withstand any Kickback force.
- Your body should always be to the left of the Chain Line.

Basic Cutting Procedure

Practice cutting a few small logs using the following technique to get the "feel" of using the saw before you begin a major sawing operation.

- Take the proper stance in front of the wood with the Saw OFF (**Figure 4**).
- Squeeze the Trigger and let the Chain accelerate to full speed before entering the cut.
- Keep the Saw running the entire time you are cutting, maintain a steady speed.

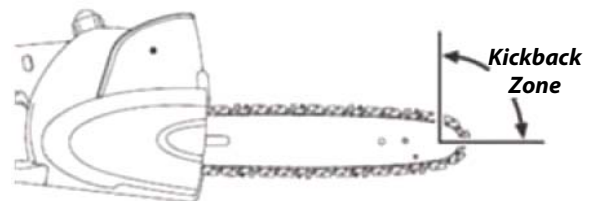


Figure 3

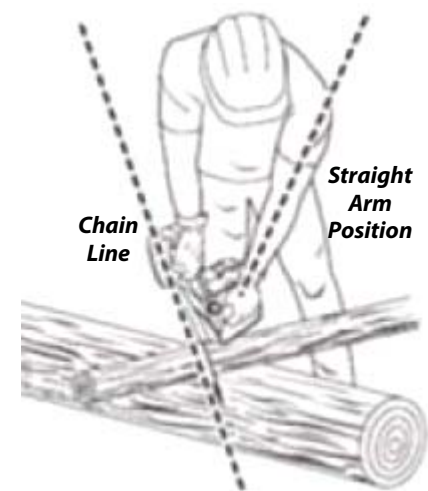


Figure 4

- Allow the Chain to cut for you; exert only light downward pressure. If you force the cut, damage to the Bar, Chain, or unit can result.
- Do not put pressure on the Saw at the end of the cut.
- Do not cut above chest height, as a Saw held higher is difficult to control against Kickback forces.

Pruning

- When pruning trees it is important not to make the finishing cut next to the main limb or trunk until you have cut off the limb further out to reduce the weight. This prevents stripping the bark from the main member.
- Under cut the branch 1/3 through for your first cut. Your second cut should over cut to drop the branch off (Figure 5).
- Now make your finishing cut from the topside of the branch smoothly and neatly against the main member so the bark will grow back to seal the wound.

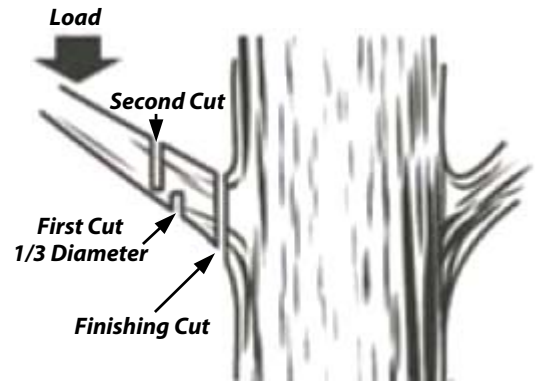


Figure 5

Chapter 4: Maintaining Your NEUTON Battery-Powered Chain Saw

This chapter explains how to adjust the Chain Tension, sharpen the Chain and Guide Bar Maintenance.

! WARNING!

Always remove the Battery Pack before performing any adjustments, maintenance, or repairs to your Chain Saw.

Chain Tension

Check the Chain Tension before using the Saw when the Chain is cold. The correct tension of a cold Chain is when there is no slack on the underside of the Guide Bar, the Chain is snug, but you can turn it by hand without binding.

During normal Saw operation, the temperature of the Chain will increase. The Drive Links of a correctly tensioned warm Chain will hang approximately .050 in. (1.25mm) out of the Bar Groove (Figure 6). Be aware that a Chain tensioned while warm, may be too tight upon cooling. Check the "cold tension" before next use.

The Chain must be re-tensioned whenever the Flats on the Drive Links hang out of the Bar groove (Figure 6).

NOTE: A new Chain tends to stretch so check the Chain tension frequently and re-tension as required.

Tools Required:

- 7/32" Hex Key Wrench
 - Long Handled Blade Screwdriver
1. Using the Hex Key Wrench, loosen the Guide Bar Screw (Figure 7) so it is just finger tight.
 2. Turn the Chain Tensioner (Figure 8) clockwise with a Screwdriver to tension the Chain as required and then retighten the Guide Bar Screw.

Chain Sharpening

For smooth and fast cutting, you need to maintain the Chain properly. The Chain requires sharpening when the wood chips are small and powdery, if you must force the Chain through the wood during cutting, or the Chain cuts to one side.

NOTE: Improper Chain sharpening increases the risk of Kickback. Therefore, we highly recommend that when the Chain requires sharpening, you have the Chain professionally sharpened.

Guide Bar Maintenance

When the Guide Bar shows signs of wear, turn it over on the Saw to distribute the wear for maximum Bar life. Feathering or burring of the Bar Rails is a normal process of Bar wear. You should smooth such faults with a file as soon as they occur.

Replace a Bar with any of the following faults:

- Wear inside the Bar Rails permitting the Chain to layover sideways.
- Bent Guide Bar
- Cracked or broken Rails
- Spread Rails

Turn the Saw over, check the underside of the Guide Bar, and make sure that the lubrication holes and Chain Groove are free from impurities.

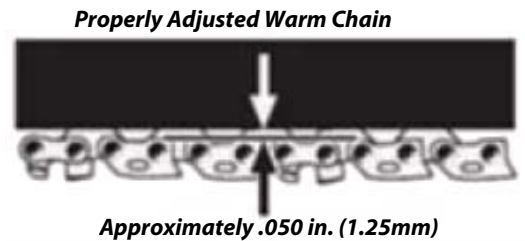


Figure 6

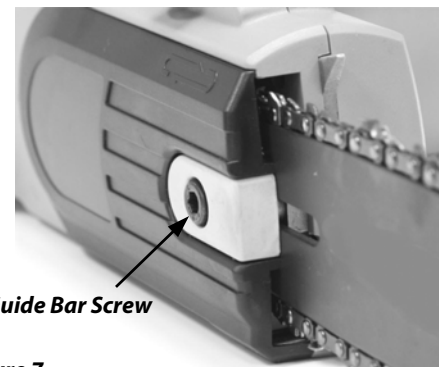


Figure 7

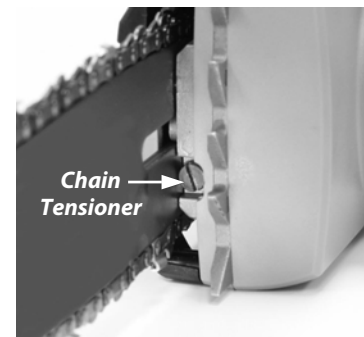


Figure 8

Chapter 5: Troubleshooting Your NEUTON Battery-Powered Chain Saw

Troubleshooting Tips

Most difficulties are easy to fix. Consult the Troubleshooting Table for common problems and their solutions. If you continue to experience problems or need repairs beyond these minor adjustments, visit our website at www.neutonpower.com or call Neuton Inc. Toll Free at: **1-866-NEUTON1 (638-8661)** for assistance.



Always remove the Battery Pack before performing any adjustments, maintenance, or repairs to your Chain Saw.

Troubleshooting Table

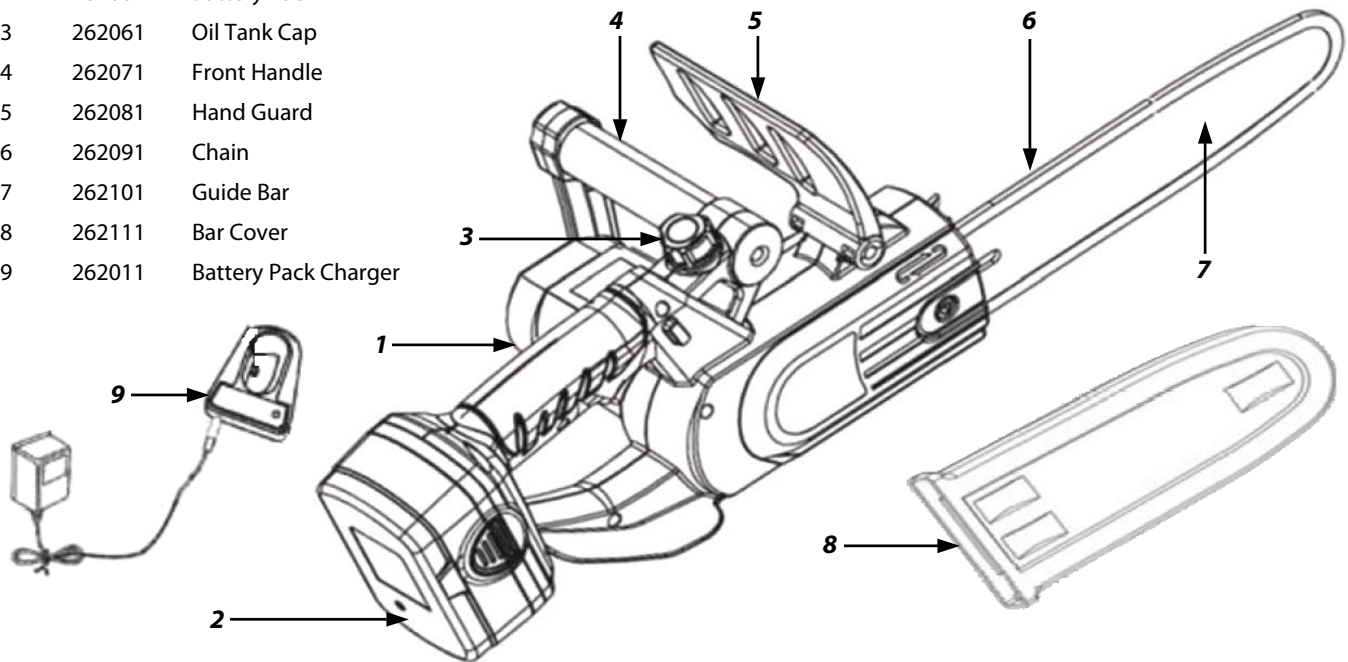
PROBLEM	CORRECTIVE ACTION
<i>The Saw Motor fails to start.</i>	<ul style="list-style-type: none"> ⇒ Check that you installed the Battery Pack correctly and that the Battery Pack is fully charged. ⇒ Make sure that you fully push in the Lock-Off Button before squeezing the ON/OFF Trigger Switch.
<i>The Battery Pack will not charge.</i>	<ul style="list-style-type: none"> ⇒ You did not insert the Battery Pack all the way into the Charger. Insert the Battery Pack until the Red LED Light illuminates. ⇒ The Charger Power Supply is not in a working outlet. Check the outlet with a lamp or other appliance. ⇒ Check to see if the outlet that you are using for the Charger Power Supply is controlled from a wall switch. ⇒ The surrounding air temperature is too hot or too cold. Move Charger and Battery Pack to a location where the surrounding air temperature is between 40°F (5°C) and +95°F (+35°C).
<i>The Saw runs, but the Chain speed is low.</i>	<ul style="list-style-type: none"> ⇒ The Battery Pack was probably not at full charge prior to cutting. Charge the Battery Pack, if necessary. ⇒ The Chain is loose re-tension.
<i>The Battery loses its charge quickly.</i>	<ul style="list-style-type: none"> ⇒ The Battery Pack was probably not at full charge prior to cutting. Charge the Battery Pack, if necessary. NOTE: You will need to charge a new Battery Pack at least five (5) times to achieve maximum cutting time. ⇒ The Battery Pack may be getting old. After some time, you will need to replace the Battery Pack.
<i>Bar and Chain running hot and smoking.</i>	<ul style="list-style-type: none"> ⇒ The Chain tension is too tight, re-tension. ⇒ The Chain Oil Tank is empty, refill. ⇒ The lubrication holes are plugged, clean them out.
<i>The Saw Motor runs, but the Chain is not turning.</i>	<ul style="list-style-type: none"> ⇒ The Chain tension is too tight, re-tension. ⇒ The Guide Bar or Chain is damaged, inspect and replace the damaged part.

Chapter 6: Parts List, Schematic Diagram, and Warranty

Parts List & Schematic Diagram NEUTON Battery-Powered Chain Saw

NOTE: Part numbers listed are available through Neuton Inc.

Ref#	Part#	Description
1	262051	Chain Saw Motor Housing Assembly
2	262001	Battery Pack
3	262061	Oil Tank Cap
4	262071	Front Handle
5	262081	Hand Guard
6	262091	Chain
7	262101	Guide Bar
8	262111	Bar Cover
9	262011	Battery Pack Charger



081203

1-Year Limited Warranty Terms and Conditions

The NEUTON® Battery-Powered Chain Saw has a warranty for one (1) year against defects in materials or workmanship when put to personal residential household use.

For the purposes of the warranty, "personal residential household use" refers to non-commercial residential use and further excludes misuse, accidents, or damage due to inadequate maintenance.

Neuton Inc. certifies that the NEUTON® Battery-Powered Chain Saw is fit for ordinary purposes for which a product of this type is used. Neuton Inc. however, limits the implied warranties of merchantability and fitness in duration to a period of one (1) year in personal residential household use.

The 1-Year Limited Warranty on the NEUTON® Battery-Powered Chain Saw starts on the date the tool shipped from our factory. The 1-Year Limited Warranty is applicable only to the original owner.

The owner is responsible for the performance of all the required maintenance as defined by the manufacturer's owner manual.

The owner is responsible for the replacement of normally wearing parts such as the Battery Pack, Chain, and the Bar Guide.

During the warranty period, the owner is responsible for all shipping and transportation charges, if required.

SOME STATES DO NOT ALLOW LIMITATIONS ON THE LENGTH OF IMPLIED WARRANTIES, SO THE ABOVE LIMITATIONS MAY NOT APPLY TO YOU.

SOME STATES DO NOT ALLOW THE EXCLUSION OR LIMITATION OF INCIDENTAL OR CONSEQUENTIAL DAMAGES, SO THE ABOVE LIMITATIONS MAY NOT APPLY TO YOU.

Neuton Inc. shall not be liable under any circumstances for any **incidental or consequential damages or expenses** of any kind, including, but not limited to, cost of equipment rentals, or cost of hiring services to perform tasks normally performed by the NEUTON® Battery-Powered Chain Saw.

THIS WARRANTY GIVES YOU SPECIFIC LEGAL RIGHTS, AND YOU HAVE OTHER RIGHTS, WHICH VARY FROM STATE TO STATE.

Daily Checklist, Cleaning and Storing for your NEUTON Battery-Powered Chain Saw

To help maintain your NEUTON Chain Saw for optimum performance, we recommend you follow this checklist each time you use your Saw.

WARNING!

Do not insert the Battery Pack until you have completed all of the daily checks.

- [] BATTERY PACK: Make sure the Battery Pack has a full charge.
- [] INSPECT: Before inserting the Battery Pack, inspect for any visible damage to the Chain, Bar Guide, Hand Guard, or Motor Housing. Inspect the oil port and Bar Guide rails and clean them to remove any debris.
 - Check the Chain tension.
 - Check the Bar and Chain Oil level, fill with only new Chain Oil specifically formulated for chainsaws.
- [] NOISES: If you notice anything unusual, such as a vibration or odd sound, shut the Saw OFF immediately. Remove the Battery Pack and check the Saw for any damage.
 - If you cannot find the cause of the problem or are uncertain what to do, then have the Saw inspected by a qualified repair shop before using it or visit our website at www.neutonpower.com.

CAUTION!

- Remove the Battery Pack and allow the Saw to cool for at least five (5) minutes before servicing or storing.
- If you drop the Saw, carefully inspect it for damage. If the Guide Bar is bent, Motor Housing cracked, or Handles broken or if you see any other condition that may affect the Saw's operation, visit our website at www.neutonpower.com or call Neuton Inc. Toll Free at: **1-866-NEUTON1 (638-8661)** for assistance before putting it back into use.

Cleaning the Chain Saw

Use only mild soap and a damp cloth to clean the Saw. Never let any liquid get inside the Motor Housing and NEVER immerse any part of the Saw Housing into a liquid.

Storing

- [] Always store the Saw with a full Battery Pack charge.
- [] Ensure that the plastic Bar Cover is in place when storing.
- [] Do not store the Saw near chemicals, such as fertilizers, organic or other solvents. Do not expose brake fluids, gasoline, petroleum-based products, penetrating oils, etc., to the plastic parts of the Saw. These products are often highly corrosive and may cause permanent damage, weaken, or destroy the plastic to your Saw.
- [] When not in use, your NEUTON Battery-Powered Chain Saw should be stored indoors in a dry and high or locked-up place, out of reach of children.
- [] For superior Battery Pack performance, always store the Battery Pack in a **DRY** environment with temperatures between 40°F (5°C) and +95°F (+35°C). Make sure the storage temperatures will never be outside these limits. The lower the storage temperature is within the specified range, the better. The Battery Pack will discharge more slowly at low temperatures. Charge the Battery Pack for five (5) to six (6) hours prior to storage and then every one (1) to two (2) months; and then again prior to the first seasons use. To prevent permanent damage to the Battery Pack, never store it in a discharged condition. Be sure to remove the Battery Pack from the Charger after charging. Also, do not store the Battery Pack near children or pets or close to a source of heat, sparks, open flame or on the floor as it may be damp or subject to accidental flooding. In addition, never expose the Battery Pack to abnormal shaking or shocks. Regularly observe the external appearance of the Battery Pack. Never use a Battery Pack that shows cracks, changes shape, leaks, or is obviously damaged. You can safely keep the Battery Pack in the Saw when storing for the long term.

Copyrights and Trademarks

©2009 Neuton Inc.
NEUTON and NEUTON logo are trademarks of Neuton Inc.
All rights reserved.

Documentation

Produced in China exclusively for Neuton Inc.

Neuton Inc.

75 MEIGS ROAD, P.O. BOX 25, VERGENNES, VERMONT 05491