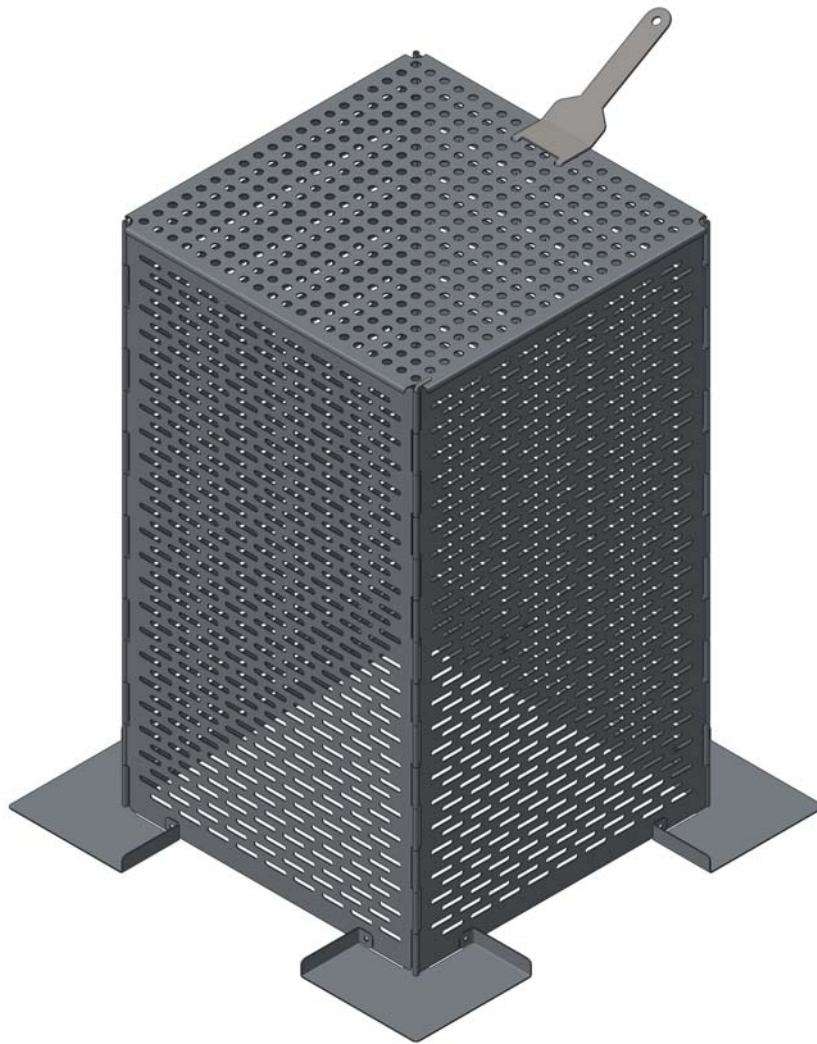


DR[®] BURN CAGE

SAFETY & OPERATING INSTRUCTIONS



Order No. _____

Original Language

DR Power Equipment
Toll-free phone: 1-800-DR-OWNER (376-9637)
Fax: 1-802-877-1213
Website: www.DRpower.com

WARNING

Read and understand this manual and all instructions before operating the DR BURN CAGE.

Table of Contents

Chapter 1: General Safety Rules..... 3
Chapter 2: Setting Up The DR BURN CAGE 5
Chapter 3: Operating The DR BURN CAGE 7
Chapter 4: Maintaining The DR BURN CAGE..... 8
Chapter 5: Troubleshooting 9
Chapter 6: Parts Lists and Schematic Diagrams..... 10

Conventions used in this manual

WARNING

This indicates a hazardous situation, which, if not avoided, could result in death or serious injury.

CAUTION

This indicates a hazardous situation, which, if not avoided, could result in minor or moderate injury.

NOTICE

This information is important in the proper use of your Burn Cage. Failure to follow this instruction could result in damage to your Burn Cage or property.

Order Number

An Order Number is used to check and maintain your order history and is located on your packing slip. For your convenience and ready reference, enter the Order Number in the space provided on the front cover of this manual.

Additional Information and Potential Changes

DR Power Equipment reserves the right to discontinue, change, and improve its products at any time without notice or obligation to the purchaser. The descriptions and specifications contained in this manual were in effect at printing. Equipment described within this manual may be optional. Some illustrations may not be applicable to your DR BURN CAGE.

Chapter 1: General Safety Rules

IMPORTANT NOTE: *Some state and local governments ban the burning of many waste materials and household garbage. It is important to contact your local city or county environmental office or state environmental agency to obtain necessary burning permits and to find out about local and state burning restrictions.*

WARNING

Read this safety & operating Instructions manual before you use the DR BURN CAGE. Become familiar with the operation and service recommendations to ensure the best performance. If you have any questions or need assistance, please contact us at www.DRpower.com or call toll-free 1-800-DR-OWNER (376-9637) and one of our Technical Support Representatives will be happy to help you.

Protecting Yourself and Those Around You

WARNING

You must operate the BURN CAGE safely. Unsafe operation can create a number of hazards for you, as well as anyone else in the nearby area. Always take the following precautions when using this BURN CAGE:

- Keep in mind that the operator or user is responsible for accidents or hazards occurring to other people, their property, and themselves.
 - Always wear protective goggles or safety glasses with side shields while using the BURN CAGE to protect your eyes from possible sparks.
 - Avoid wearing loose clothing or jewelry, which can snag on the BURN CAGE.
 - We recommend wearing fire resistant gloves while using the BURN CAGE. Be sure your gloves fit properly and do not have loose cuffs or drawstrings.
 - Wear shoes with non-slip treads when using your BURN CAGE. If you have safety shoes, we recommend wearing them. Do not use the BURN CAGE while barefoot or wearing open sandals.
 - Wear long pants while operating the BURN CAGE.
 - Keep bystanders at least 50 feet away from your work area at all times. Put the fire out when another person or pet approaches.
-

Safety for Children and Pets

WARNING

Tragic accidents can occur if the operator is not alert to the presence of children and pets. Children are often attracted to the Cage and the burning activity. *Never* assume that children will remain where you last saw them. Always follow these precautions:

- Keep children and pets at least 50 feet from the working area and ensure they are under the watchful care of a responsible adult.
 - Be alert and extinguish the fire if children or pets enter the work area.
 - Never allow children to operate the BURN CAGE.
-

General Safety

WARNING

Operating this BURN CAGE safely is necessary to prevent or minimize the risk of death or serious injury. Unsafe operation can create a number of hazards for you. Always take the following precautions when operating this BURN CAGE:

- INCINERATION is a good option in cases where garbage or disposal options do not exist: yard waste, wood that is clean, dry, unpainted and untreated, cardboard items & any other non-recyclable paper products that are safe to burn.
- Burn barrels are not permitted within the city limits of some jurisdictions. Please check with your nearest fire authorities for regulations.
- Only incinerate using fully assembled models (including all four feet with hardware).
- All models are for outside use only.
- Always locate your Burn Cage in the center of a cleared area 50 feet in diameter including clear overhead.
- Add burnable items so airflow is not restricted. Avoid stacking files and confidential papers tightly together like a book.
- Light Burn Cage from the top. Always incinerate with the cover on.
- Use handle with fire resistant gloves while handling the cover to prevent burns.
- Never burn in high winds.
- Incinerator to be used for burning dry material, yard waste and non-recyclable paper products.
- Do not use flammable liquids.
- Do not burn pressurized containers, i.e. aerosol cans, etc.
- Ashes may take 1 or more days to completely cool. Pour water on ashes to completely extinguish if you have to move your outdoor fireplace before the ashes have completely cooled.
- Do not put burnt ashes in garden, dispose of as waste material. Note: Yard waste as well as clean and untreated wood ashes are ok.
- Keep children and pets away from Burn Cage. (Temperatures may reach 1500-1900 °F)
- Unit should not be left unattended.
- While burning, your Burn Cage must be level and tight to the ground and the cover must always be in place to reduce the risk of fire spreading.
- Keep combustible materials away from exterior while burning.
- Do not burn any type of battery.
- Always have a hose or another water source available when using the Burn Cage so it can be quickly extinguished if needed and to ensure all fire is out when finished.
- Burn temperatures can exceed 1500 degrees F. Allow metal to fully cool before moving or disassembling your Burn Cage. This may take several hours to cool once burning is complete. Always use protective gloves to move your Burn Cage.
- Occasionally the fire conditions become so severe that all outside burning is suspended. This is called a “burn suspension”. These burn suspensions can be specific to certain areas or statewide. It is important that you know when a burn suspension is in effect for the area you want to burn in. Burn suspensions are advertised on statewide television and radio stations. The local fire department and the Division of Forestry office will also have current information on any burn suspension that is in effect.

California Proposition 65

WARNING

California Proposition 65:

- This product contains or emits chemicals known to the state of California to cause cancer, birth defects, and other reproductive harm.

A Note to All Users

No list of warnings and cautions can be all-inclusive. If situations occur that are not covered by this manual, the operator must apply common sense and operate this DR BURN CAGE in a safe manner. Contact us at www.DRpower.com or call 1-800-DR-OWNER (376-9637) for assistance.

Chapter 2: Setting Up The DR BURN CAGE

It may be helpful to familiarize yourself with the controls and features of your DR BURN CAGE as shown in Figure 1 before beginning these procedures. If you have any questions at all, please feel free to contact us at www.DRpower.com.

DR BURN CAGE Features

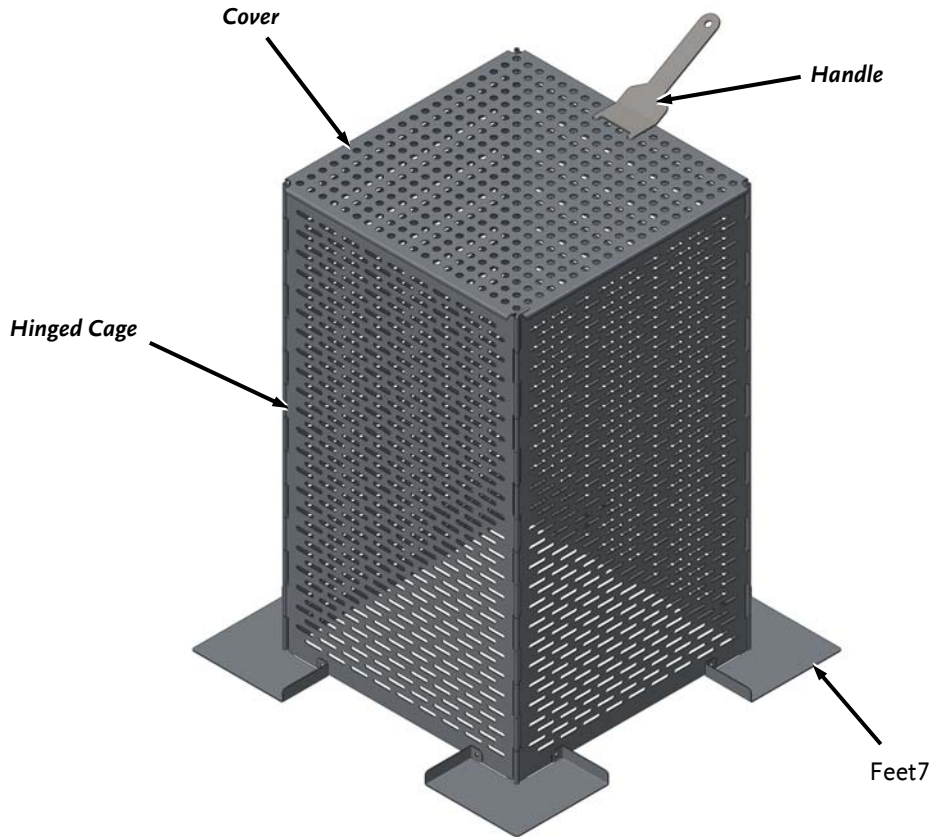


Figure 1

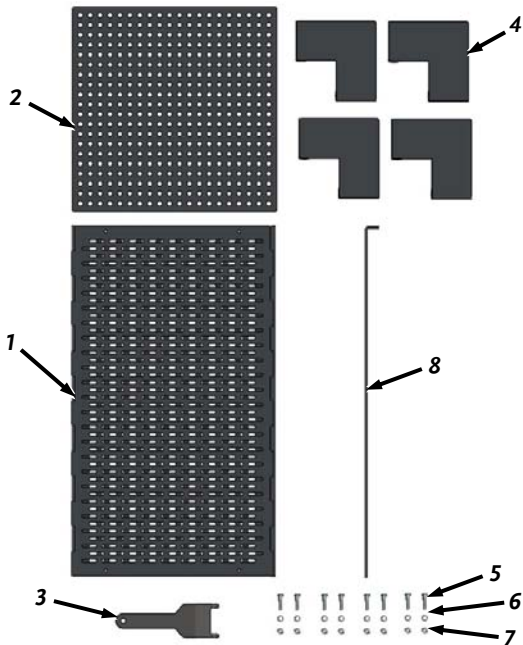
Specifications

	BURN CAGE	BURN CAGE XL	BURN CAGE MAX
Cage Material	16 Gage Stainless Steel	16 Gage Stainless Steel	16 Gage Stainless Steel
Cover Material	16 Gage Stainless Steel	16 Gage Stainless Steel	16 Gage Stainless Steel
Assembled Height	35.5"	42"	45"
Assembled Width (square)	20.5" (cage only), 28.5" (including feet)	22" (cage only), 30" (including feet)	25.5" (cage only), 33.5" (including feet)
Weight	46 lbs.	57 lbs.	68 lbs.

Assembling and Setting Up the DR BURN CAGE

CAUTION

Read all instructions thoroughly before assembly.



Parts Supplied: (Figure 2 and List below)

Note: For assembly reference, the item numbers below match the item numbers of the exploded illustrations in Chapter 6.

Item	Description	Qty
01	Cage, Hinged	1
02	Cover	1
03	Handle	1*
04	Foot	4
05	Bolt	8
06	Washer, Lock	8
07	Nut	8
08	Pin, Hinge	1

*Burn Cage MAX Model comes with two Handles.

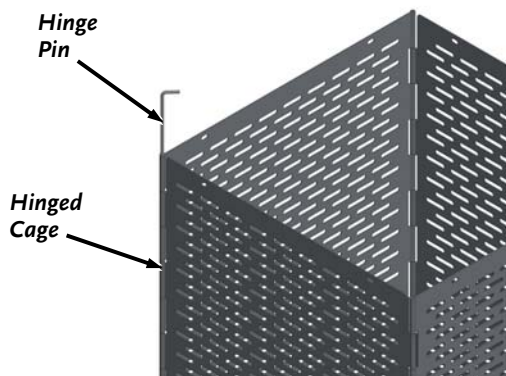
Tools and supplies Needed:

- Leather work gloves
- Two 7/16" Wrenches

Figure 2

CAUTION

Parts may have sharp edges and should be handled only when wearing leather work gloves to protect your hands from cuts.



1. Open and arrange the hinged Cage so that it forms a square box (**Figure 3**).
2. Align the Hinge loops of the two open ends and slide the Hinge Pin down through the Hinge loops to lock them together.
3. Attach the feet on the corners using two Bolts, two Lock Washers and two nuts on each foot (Bolts on the outside, Nuts on the inside) (**Figure 4**).
4. The Cover fits loosely on top of open Cage (**Figure 5**).

Do not discard the shipping materials until you are fully satisfied with your new DR BURN CAGE.

Figure 3

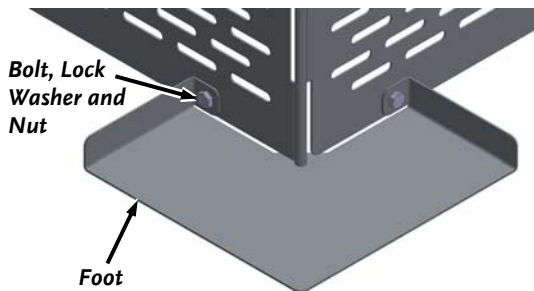


Figure 4

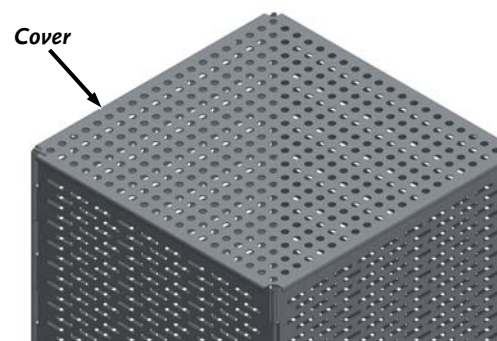


Figure 5

Chapter 3: Operating The DR BURN CAGE

It may be helpful to better familiarize yourself with the features of your DR BURN CAGE by reviewing **Figure 1** in Chapter 2 before beginning the steps outlined in this chapter.

! WARNING

Read and understand the warnings listed in “Chapter 2 General Safety Rules” before operating this Burn Cage. Ensure that the fire is completely out and the Burn Cage has cooled completely before handling the Burn Cage. Always wear fire resistant Gloves when using or handling the Burn Cage.

BEFORE YOU BEGIN:

Consider other options for eliminating your yard debris and paper. Chipping, landfill disposal, composting, and recycling are valid options.

Although backyard burning without a permit is legal in many areas, local and state ordinances vary. Always check with your local environmental services department before you burn.

Burn only brush, leaves, needles, grass, clean wood, clean paper and cardboard. Never burn hazardous waste, wet garbage, plastic, asphalt, foam, aluminum, rubber, animal remains, or any other material that emits dense smoke or noxious odors.

Burn only small piles of dry materials at a time. This will keep smoke to a minimum and prevent fires from growing too large. Never leave active fires unattended on your property.

Clear an area ten feet wide around the BURN CAGE, down to bare soil.

Locate the BURN CAGE at least 50 feet away from any structure and 50 feet away from any underground or above ground utility corridor.

Be sure to have the appropriate tools and water on hand to be able to put the fire out quickly.

“LIGHT FROM THE TOP”

REMOVING THE COVER

! WARNING

Use caution when removing the cover of the Burn Cage during burning. Temperatures may vary during burning depending on the material being burned, airflow, and wind.

! CAUTION

The Burn Cage must be used on a flat, level surface.

Note: The Burn cage MAX Model uses two Handles for lifting the Cover.

1. Insert the Handle tabs into the holes of the Cover to open or remove the Cover (**Figure 6**).

BURNING EFFICIENTLY IS IMPORTANT!

- HIGH TEMPERATURE burning is very important. To incinerate completely, eliminating smoke and smoldering, proper airflow is required. Our design introduces the correct amount of air to burn efficiently.
- Never let the ashes build up in the BURN CAGE.
- Do not allow the BURN CAGE to smolder, especially overnight.
- Do not burn in your BURN CAGE when the wind speed is greater than 10 miles per hour.
- Remember: anyone using a BURN CAGE is liable for a wildfire that escapes as a result of negligence. If you start a fire, you are responsible for it until the fire is completely out!
- Attend the BURN CAGE fire until it is out.

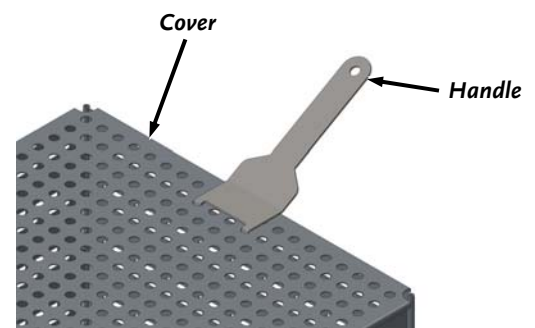


Figure 7

Chapter 4: Maintaining The DR BURN CAGE

Regular maintenance is the way to ensure the best performance and long life of your DR BURN CAGE. Please refer to this manual for maintenance procedures.

WARNING

Before performing any maintenance procedure or inspection, ensure that the fire is completely out and the Burn Cage has cooled completely. Always wear fire resistant gloves when handling the Burn Cage.

Regular Maintenance Checklist

PROCEDURE	BEFORE EACH USE
Wash with Soap and Water	▲
Empty ashes	▲
Check Hardware for Tightness	▲

Emptying Ashes

Supplies Needed:

- Leather Gloves

1. Ash removal is made easy. After the ashes have thoroughly cooled simply tip the incinerator towards you and move it away from the pile of ashes. Remove the ashes and return your incinerator to its original burning position.

Note: *The optional Ash Catcher Tray can be purchased to keep ashes off the ground for easier clean up. Please contact us at www.DRpower.com or call 1-800-DR-OWNER (376-9637) for assistance.*

Chapter 5: Troubleshooting

Most problems are easy to fix. Consult the Troubleshooting Table below for common problems and their solutions. If you continue to experience problems, contact us at www.DRpower.com or call toll-free 1-800-DR-OWNER (376-9637) for support.

WARNING

Before performing any maintenance procedure or inspection, ensure that the fire is completely out and the Burn Cage has cooled completely. Always wear fire resistant gloves when handling the Burn Cage.

Troubleshooting Table

SYMPTOM	POSSIBLE CAUSE
<i>Cover will not fit over Burn Cage</i>	⇒ Loose or missing hardware from feet so Cage is no longer square; Tighten or replace hardware as needed to form a square shape.
<i>Fire will not burn efficiently.</i>	⇒ The Burn Cage may be too full of ashes; Empty the Burn Cage. ⇒ Allow sufficient time for fire to burn before adding more material. ⇒ Burn Cage air is being blocked; Ensure area around Burn Cage is free of obstacles.
<i>Area around Burn Cage is smoldering or burning.</i>	⇒ Area not cleared enough around Burn Cage; Douse area with water and clear away any grass or materials that may ignite.

Chapter 6: Parts Lists and Schematic Diagrams

Parts List and Schematic – BURN CAGE

Note: Part numbers listed are available through DR Power Equipment.

BURN CAGE

Ref#	Part#	Description
01	30310	Cage, Hinged
02	30339	Cover
03	30453	Handle
04	30309	Foot
05	31246	Bolt
06	31248	Washer, Lock
07	31247	Nut
08	31249	Pin, Hinge

Not shown

Part#	Description
31139	Ash Catcher

BURN CAGE XL

Ref#	Part#	Description
01	34525	Cage, Hinged
02	34524	Cover
03	30453	Handle
04	30309	Foot
05	31246	Bolt
06	31248	Washer, Lock
07	31247	Nut
08	34533	Pin, Hinge

Not shown

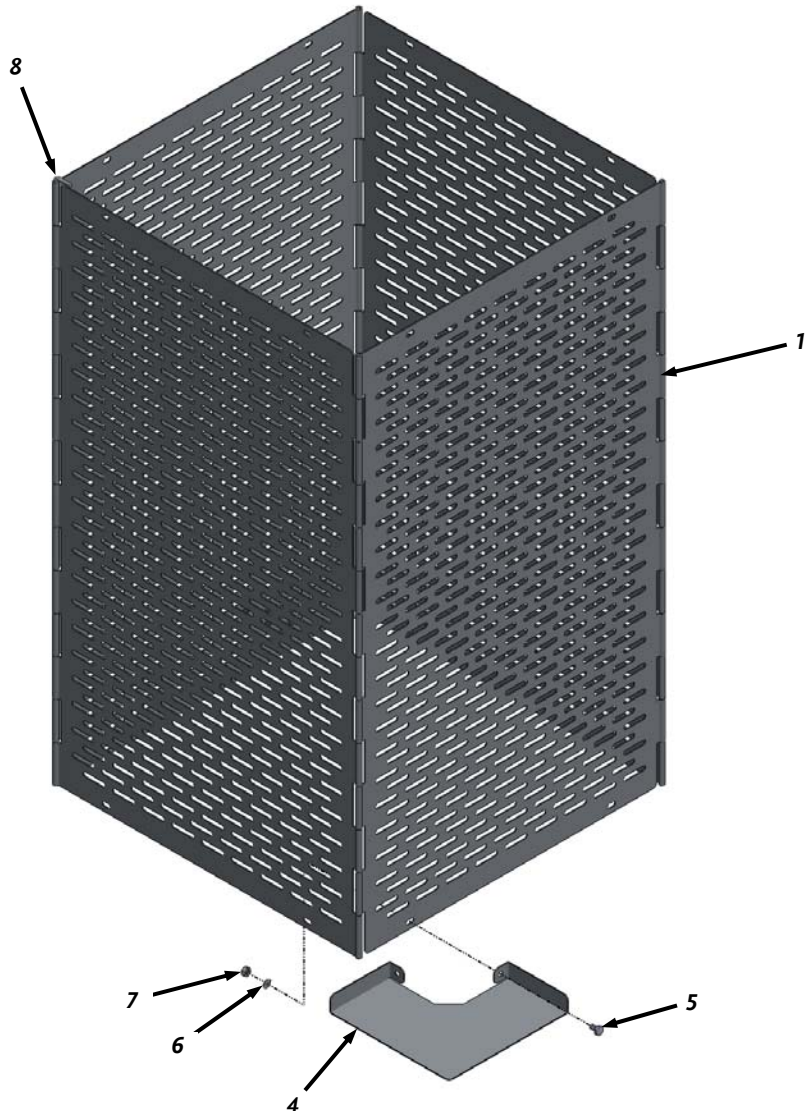
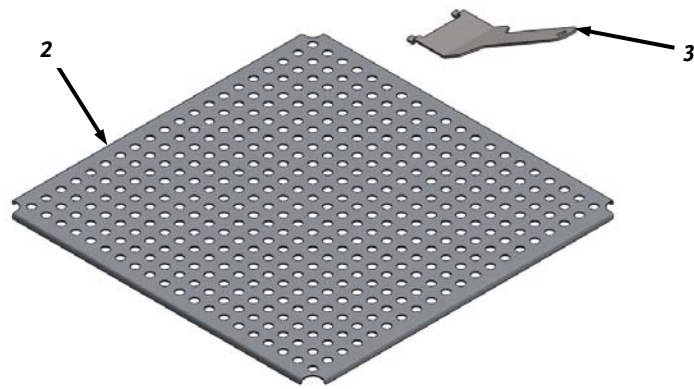
Part#	Description
34529	Ash Catcher

BURN CAGE MAX

Ref#	Part#	Description
01	38829	Cage, Hinged
02	38833	Cover
03	30453	Handle
04	30309	Foot
05	31246	Bolt
06	31248	Washer, Lock
07	31247	Nut
08	38832	Pin, Hinge

Not shown

Part#	Description
38873	Ash Catcher



Notes:

Daily Checklist for the DR BURN CAGE

To help maintain your DR BURN CAGE for optimum performance, we recommend you follow this checklist each time you use your BURN CAGE.

⚠ WARNING

Before performing any maintenance procedure or inspection, ensure that the fire is completely out and the Burn Cage has cooled completely. Always wear fire resistant gloves when handling the Burn Cage.

- Check the general condition of the BURN CAGE, e.g.; nuts, bolts, welds, etc.
- Empty all ashes from the BURN CAGE.

Storage

⚠ WARNING

Before performing any maintenance procedure or inspection, ensure that the fire is completely out and the Burn Cage has cooled completely. Always wear fire resistant gloves when handling the Burn Cage.

- Clean the BURN CAGE with mild soap and rinse well with water.
- Be sure all nuts, bolts, and screws are securely fastened.



75 MEIGS ROAD, P.O. BOX 25, VERGENNES, VERMONT 05491