

# DR<sup>®</sup> 42" LAWN MOWER DECK ATTACHMENT

## SAFETY & OPERATING INSTRUCTIONS



Serial No. \_\_\_\_\_

Order No. \_\_\_\_\_

**Original Language**

DR Power Equipment  
Toll-free phone: 1-800-DR-OWNER (376-9637)  
Fax: 1-802-877-1213  
Website: [www.DRpower.com](http://www.DRpower.com)

### **! WARNING**

Read and understand this manual and all instructions before operating the DR 42" LAWN MOWER DECK.

# Table of Contents

Chapter 1: General Safety Rules..... 3  
Chapter 2: Setting Up The DR 42" LAWN MOWER DECK ..... 5  
Chapter 3: Operating DR 42" LAWN MOWER DECK ..... 8  
Chapter 4: Maintaining The DR 42" LAWN MOWER DECK..... 10  
Chapter 5: Troubleshooting ..... 14  
Chapter 6: Parts Lists, Schematic Diagrams And Warranty ..... 16

## Conventions used in this manual

### **! WARNING**

This indicates a hazardous situation, which, if not avoided, could result in death or serious injury.

### **! CAUTION**

This indicates a hazardous situation, which, if not avoided, could result in minor or moderate injury.

### **NOTICE**

This information is important in the proper use of your machine. Failure to follow this instruction could result in damage to your machine or property.



Figure 1

### **Serial Number and Order Number**

A Serial Number is used to identify your machine and is located on the Serial Number Label on your machine. An Order Number is used to check and maintain your order history and is located on the upper left portion of your packing slip. For your convenience and ready reference, enter the Serial Number and Order Number in the space provided on the front cover of this manual.

### **Additional Information and Potential Changes**

DR Power Equipment reserves the right to discontinue, change, and improve its products at any time without notice or obligation to the purchaser. The descriptions and specifications contained in this manual were in effect at printing. Equipment described within this manual may be optional. Some illustrations may not be applicable to your machine.

## Chapter 1: General Safety Rules

---

### **WARNING**

- Read this Safety & Operating Instructions Manual before you use the DR 42" LAWN MOWER DECK. Become familiar with the operation and service recommendations to ensure the best performance from your machine.
- Before you use the DR 42" LAWN MOWER DECK refer to and follow your DR® FIELD and BRUSH MOWER Safety and Operating Instructions Manual for Field and Brush Mower specific Warnings and Cautions.

If you have any questions or need assistance, please contact us at [www.DRpower.com](http://www.DRpower.com) or call toll-free 1-800-DR-OWNER (376-9637) and one of our Technical Support Representatives will be happy to help you.

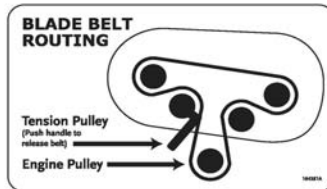
---

### *Labels*

Your DR 42" LAWN MOWER DECK carries prominent labels as reminders for its proper and safe use. Shown below are copies of all the Safety and Information labels that appear on the equipment. Take a moment to study them and make a note of their location on your LAWN MOWER DECK as you set up and before you operate the unit. Replace damaged or missing safety and information labels immediately.



#157641



#164381



#136491

### **WARNING**

California Proposition 65:

- This product contains or emits chemicals known to the state of California to cause cancer, birth defects, and other reproductive harm.
-

## General Safety

### **WARNING**

Operating this DR 42" Lawn Mower Deck safely is necessary to prevent or minimize the risk of death or serious injury. Unsafe operation can create a number of hazards for you. Always take the following precautions when operating this Lawn Mower Deck:

- This is a high-powered machine, with moving parts operating with high energy at high speeds. You must use proper clothing and safety gear when operating this machine to prevent or minimize the risk of severe injury. This machine can cut and sever parts of your body if they contact the Moving Blades.
- Thoroughly inspect the area in which you will be working and remove all foreign objects. Clear the area of objects such as Rocks, Toys, Wire, Bones, Sticks, Glass etc., which could be picked up and thrown by the Blades which could damage the machine and/or cause injury.
- Read this Safety & Operating Manual before you use the DR 42" Lawn Mower Deck. Become familiar with the operation and service recommendations to ensure the best performance from your Lawn Mower Deck.
- Never allow people who are unfamiliar with these instructions to use the Mower. Allow only responsible individuals who are familiar with these rules of safe operation to use your machine.
- Keep your hands and feet away from the Blades, Belts, Blade Pulleys, and concealed areas while the engine is running. Never reach under the Deck or grab hold of any part of the Deck when the Engine is running.
- Never use the Mower with the Discharge Chute removed.
- Never, under any conditions, remove, bend, cut, fit, weld, or otherwise alter standard parts on the DR 42" Lawn Mower Deck. This includes all Shields and Guards. Modifications to your machine could cause personal injuries and property damage and will void your warranty.
- Your DR 42" Lawn Mower Deck is a powerful tool, not a plaything. Exercise extreme caution at all times. The design of this machine is to cut grass. Do not use it for any other purpose.
- Be sure all Blade and Wheel controls are disengaged before attempting to start the Engine. Engage and disengage the Mower Blades a few times to get used to it before mowing.
- If you have to stop to remove grass or debris from the underside of the Deck, always shut off the Engine, allow the Engine to cool five (5) minutes and remove the Spark Plug Wire(s) before removing grass or debris.
- Know how to stop the Blades quickly; see page 8.
- Stop the Blades when crossing gravel drives, walks, or roads.
- Always operate the Mower from behind. Never pass or stand on the discharge (right) side or in front of machine when the Engine is running.
- Do not pull the Mower backwards unless absolutely necessary. Look down and behind before, and while moving backwards.
- If the machine starts to make an unusual noise or vibration, immediately shut off the Engine and wait five (5) minutes for all moving parts to come to a complete stop and cool. Disconnect the Spark Plug Wire(s). Vibration is generally a warning of trouble. Inspect for clogging or damage. Clean and repair and/or replace damaged parts.
- Keep all Nuts and Bolts tight, especially the Blade attachment Bolts, and keep the equipment in good operating condition.
- The Mower blades are sharp and can cut. Wrap the blades or wear gloves, and use extra caution when servicing.
- Keep bystanders at least 100 feet away from your work area at all times. Objects can be thrown far from the Mower and at great speeds. To be safe, do not operate the machine near small children or pets, and never allow children to operate the Mower. Disengage the Blades and stop the Engine when another person or pet approaches.
- Refer to your DR® FIELD and BRUSH MOWER Safety and Operating Instructions Manual for Field and Brush Mower specific Warnings and Cautions. If you have any questions or need assistance, please contact us at [www.DRpower.com](http://www.DRpower.com) or call toll-free 1-800-DR-OWNER (376-9637) and one of our Technical Support Representatives will be happy to help you.

### **A Note to All Users**

No list of warnings and cautions can be all-inclusive. If situations occur that are not covered by this manual, the operator must apply common sense and operate this DR 42" LAWN MOWER DECK in a safe manner. Contact us at [www.DRpower.com](http://www.DRpower.com) or call 1-800-DR-OWNER (376-9637) for assistance.

## Chapter 2: Setting Up The DR 42" LAWN MOWER DECK

It may be helpful to familiarize yourself with the controls and features of your DR LAWN MOWER DECK as shown in Figure 2 before beginning these procedures. If you have any questions at all, please feel free to contact us at [www.DRpower.com](http://www.DRpower.com).

### DR LAWN MOWER DECK Controls and Features

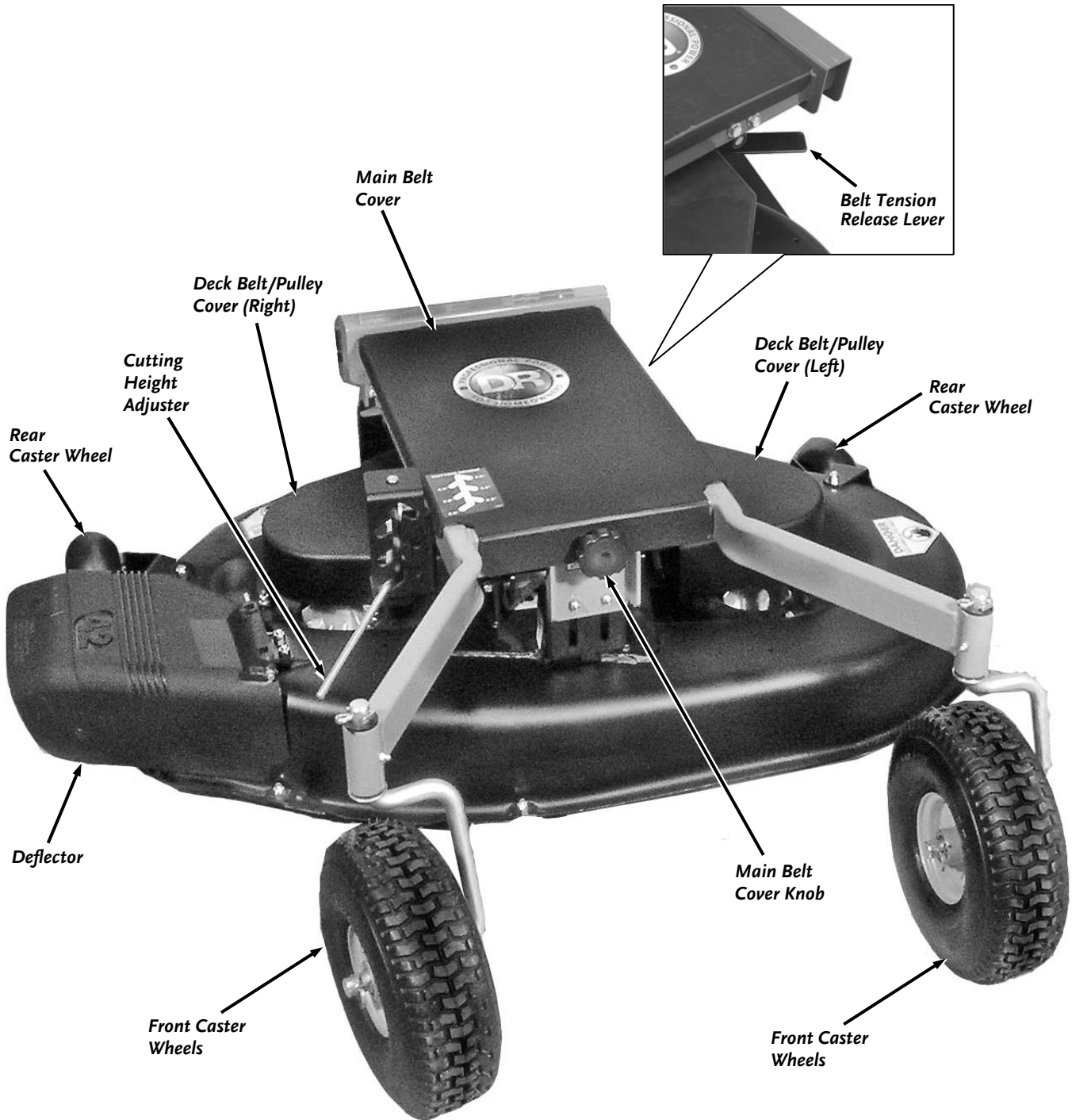


Figure 2

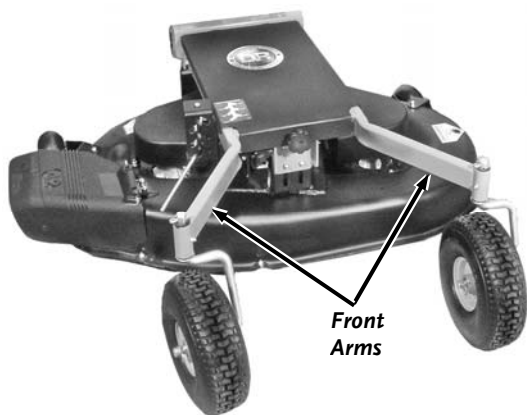


Figure 3

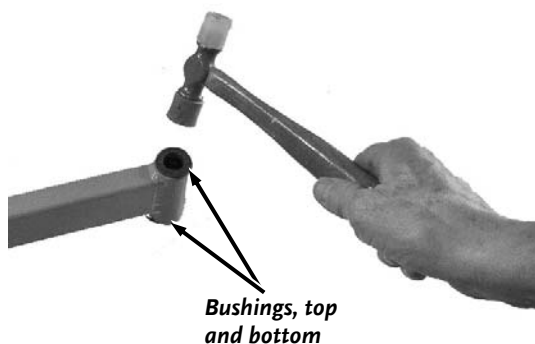


Figure 4

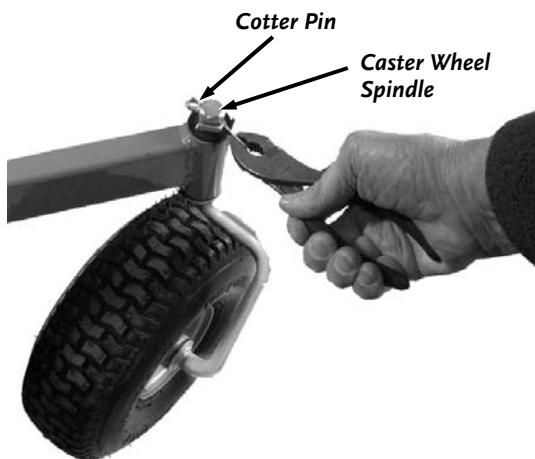


Figure 5

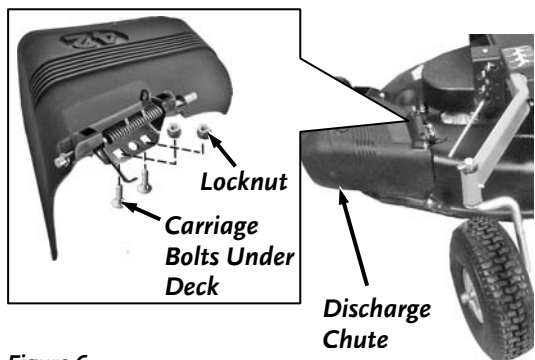


Figure 6

## Assembling the Lawn Mower Deck

### Tools Needed:

- Pliers
- Hammer

### Mounting the Front Caster Wheels

**NOTE:** The Caster Wheels mount on the Front Arms of the Deck Frame (Figure 3).

1. Insert two black Castor Wheel Spindle Bushings (one on top and one on the bottom) into a Front Arm of the Lawn Deck Frame. You may need to tap the Bushings in with a Hammer (Figure 4).
2. Insert the Caster Wheel Spindle into the Bushings from the bottom (Figure 5). Push the Cotter Pin into the Hole in the Spindle as far as it will go.
3. Hold the Tire with one hand to keep the Axle from turning while bending the legs of the Cotter Pin with Pliers. Bend the long leg first, then the shorter leg.
4. Repeat steps 1-3 for assembly of the remaining Caster Wheel.

### **CAUTION**

If you remove the Cotter Pins, replace them with new ones 1/4" in diameter and 1-1/2" long. Repeated straightening and bending will break the Cotter Pins at the bend, and may cause the Caster Wheels to come off during operation causing severe damage or possible injury.

## Installing the Discharge Chute

**NOTE:** If your new Lawn Mower Deck shipped separately from your DR FIELD and BRUSH MOWER, you will need to install the Discharge Chute.

### Tool Needed:

- 1/2" Wrench

1. From below, insert the two Carriage Bolts up through the holes in the Deck. (Figure 6).
2. Set the Discharge Chute in place by fitting the Bracket over the Bolts and install the two 5/16" Locknuts. Tighten the Nuts using a 1/2" Wrench.

## Removing the Existing Attachment

Refer to your DR Field and Brush Mower Safety and Operating Instructions Manual for removing the Brush Deck or refer to the Attachment Users Manual for removal of other Attachments.

## Installing the Lawn Mower Deck

### **WARNING**

Wait five minutes for your DR Field and Brush Mower to cool down if it was being used. Remove the Key and disconnect the Spark Plug Wire before installing the Mower Deck.

**NOTE:** Your Lawn Deck is shipped with the Belt in place on the two Blade Drive Pulleys. Occasionally, the Belt comes off during shipping. If this occurs, remove the Left and Right Side Belt Covers from the Deck (Figure 7) with a 7/16" Wrench and place the Belt back on the Pulleys.

1. Remove the Front Knob and the Main Belt Cover (Figures 7).
2. With the help of another person to steady the DR Field and Brush Mower Power Unit, line up the Lawn Mower Deck with the Power Unit Attachment Pin and slide the Lawn Mower Deck onto the Pin.
3. Attach the Collar and insert the Retaining Pin (Figure 8).
4. Push the Belt Tension Release Lever towards the center of the Deck to loosen the belt
5. At the same time, mount the Belt on the Field and Brush mower Engine Pulley. Ensure that the Belt is routed correctly around the other Pulleys (Figure 9).

**Tip:** Some people push the Lever with their foot.

6. Replace the Main and Side Belt Covers if you removed them.

**NOTE:** Be certain to replace the Side Belt Cover Hardware in the position and order that you removed it (see "Schematic – Deck Assembly" in Chapter 6 for reference when re-installing the covers).

## Check the Tire Pressure

### Tools Needed:

- Tire Pressure Gauge
- Air Compressor

1. Remove the Valve Stem Protective Cap and check the tire pressure with a Tire Pressure Gauge.
2. Refer to the manufacturers recommended pressure is that is stamped on the side of the Tire.
3. If the pressure is too low, add air through the Valve Stem with an air hose.
4. Replace the Valve Stem Protective Cap when finished.

## WARNING

Do not over inflate the tires. Inflate to the manufacturers recommended pressure found on the tires.

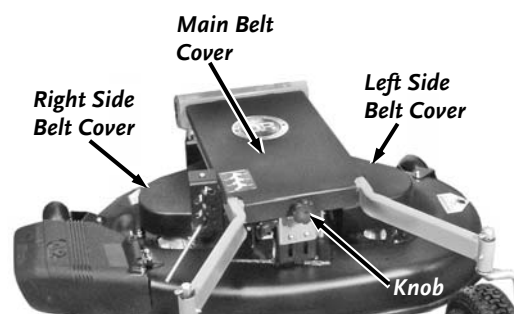


Figure 7

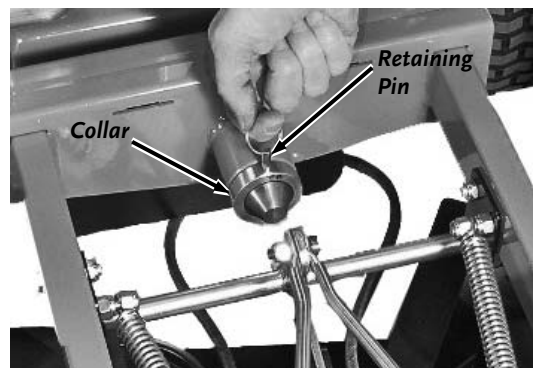


Figure 8

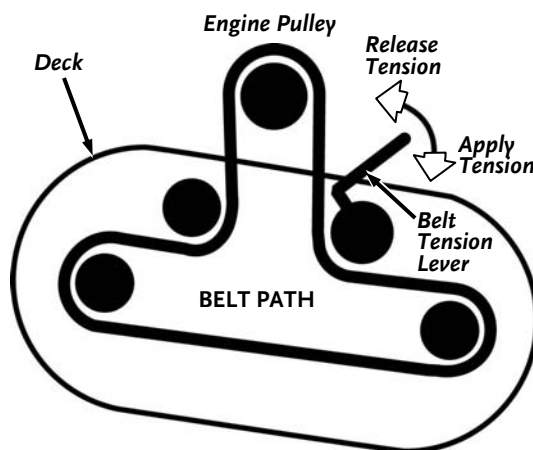


Figure 9

## Chapter 3: Operating DR 42" LAWN MOWER DECK

For more specific information on the proper operation of the DR Field and Brush Mower please refer to your DR Field and Brush Mower Safety and Operating Instructions Manual.

### Engaging the Lawn Deck Blades

1. Hold down the Operator Presence Lever (**Figure 2**) of your DR Field and Brush Mower.
2. Engage the Blades by pulling up on the Blade Engage/Disengage Knob.

**NOTE:** If you pull up on the Blade Engage/Disengage Knob before holding down the Operator Presence Lever, the engine will shut off.

### CAUTION

Always disengage the blades of the DR 42" Lawn Mower Deck before shifting into reverse.

### Stopping the Lawn Deck Blades

1. Disengage the Blades by pushing down on the Blade Engage/Disengage Knob.

**NOTE:** Releasing the Operator Presence Lever will cause the engine to shut off. Push down on the Blade Engage/Disengage Knob before trying to start the Engine again.

### Adjusting the Cutting Height

### WARNING

Always disengage the Blades of the DR 42 " Lawn Mower Deck before adjusting the cutting height.

1. To change height settings, remove the Clevis Pin and re-position the Cutting Height Adjustment Lever. After adjusting to a new height, re-insert the Clevis (**Figure 10**).

**NOTE:** You can adjust the cutting height of the Mower Deck in 1/2" increments.

The Clevis Pin prevents accidental dislodging of the Cutting Height Adjustment Lever over rough terrain.

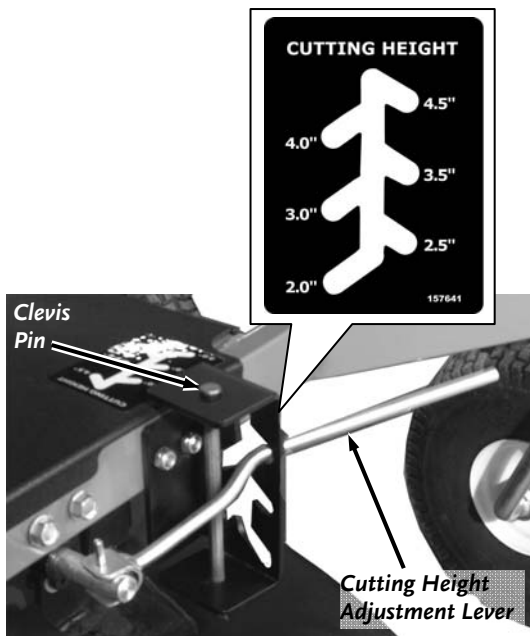


Figure 10

### Obstacle Tips

### WARNING

The mower engine's power can easily throw stones, sticks, and other debris at great velocity, which could cause personal injury or property damage. Never run the machine over gravel driveways or over loose stones or mulch with the mower deck blades spinning.

- Always check your work area before mowing and remove any debris that might tangle or damage the machine.
- If you do run into debris and the Mower Deck becomes tangled, turn off the engine and disconnect the spark plug wire(s) before attempting to untangle the machine.



## Slopes

---

### **WARNING**

When operating the DR 42" Lawn Mower Deck over uneven terrain or slopes, use extreme caution not to tip over the machine.

---

- Do not use the DR 42" Lawn Mower Deck on slopes greater than 20 degrees. Doing so could result in serious injury or damage to your machine.
- If you have to mow on sloping terrain, mow across the slope, not up and down, for better control.

**Tip:** For machines equipped with a locking the differential; engaging the Differential Lock will improve traction, and keep the machine traveling on a straighter path. Once on level terrain, disengage the Differential Lock for easier turning.

- To avoid "free-wheeling", shift into a lower gear before going down a slope. Do not shift while on a slope. Be ready to use the brake(s), if necessary.

### ***If The Machine Becomes Obstructed***

1. Disengage the Lawn Deck Blades. Do not try to free the machine from debris with the Blades engaged.
2. Try putting the machine in reverse and backing away from the obstacle.
3. Try pushing down on the Handlebars to lift the Mowing Deck over the obstacle.

---

### **WARNING**

- If you need to leave the operating position to clear debris from the Deck; first position the machine on level ground, put the machine in "N" (neutral), turn the Engine off, set the Brake, and disconnect the Spark Plug wire(s).
  - Do not touch the exhaust areas when reaching for the Spark Plug(s), they are very hot.
- 

## Turns

- Use a low gear when turning. This will give you better control and a cleaner cut.

## Reverse

- Be very careful of your footing when operating the machine in Reverse. Know what is behind you and take your time.
- Disengage the Lawn Deck Blades before shifting into Reverse. Mow in the Forward gears only, using Reverse for maneuvering.

## Cutting in Wet and Heavy Grass

- Be very careful of your footing when mowing in wet conditions. Avoid steep slopes and other slippery areas.
- To achieve the best cut, mow when the grass is dry. If you have to mow when the grass is wet, use a lower, slower speed.
- We do not recommend using the optional Mulching Plate in wet and heavy grass.

## Chapter 4: Maintaining The DR 42" LAWN MOWER DECK

Regular maintenance is the way to ensure the best performance and long life of your machine. Please refer to this Chapter for maintenance procedures. The service intervals shown are the maximum under normal operating conditions. Increase frequencies under extremely dirty or dusty conditions.

### **! WARNING**

Before performing any maintenance procedure or inspection, stop the engine of the DR Field and Brush Mower, wait five (5) minutes to allow all parts to cool. Disconnect the spark plug wire, keeping it away from the spark plug.

### Regular Maintenance Checklist

PROCEDURE	BEFORE EACH USE	EVERY 25 HOURS
Check General Equipment Condition	▲	
Check Blades for Sharpness	▲	
Check Tire Pressure		▲
Check Deck Belt Tension and Condition		▲
Lubricate Caster Wheels and Spindles		▲

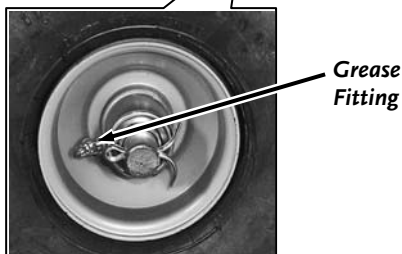


Figure 11

### Lubrication

#### Tools and Supplies Needed:

- Flexible Hose Grease Gun
- Lithium Grease

### **! WARNING**

Before performing any maintenance procedure or inspection, stop the engine of the DR Field and Brush Mower, wait five (5) minutes to allow all parts to cool. Disconnect the spark plug wire, keeping it away from the spark plug.

**NOTE:** When using the Grease Gun, pump only until you feel slight resistance (1-2 pumps should do it).

1. Grease the fittings on the front Caster Wheels (**Figure 11**).
2. Grease the fittings on the Lawn Deck Frame where the Wheel Castor Spindles swivel

**NOTE:** Perform this lubrication more often in dry and dusty environments.

### Removing and Replacing the Deck Belt

#### Tools Needed:

- 7/16" Wrench and/or Socket
- 1/2" Wrench
- 3/16" Allen Wrench

### **! WARNING**

Before performing any maintenance procedure or inspection, stop the engine of the DR Field and Brush Mower, wait five (5) minutes to allow all parts to cool. Disconnect the spark plug wire, keeping it away from the spark plug.

## NOTICE

Use only a DR Belt on your machine. The Belt has been thoroughly tested and proven for many hours of use.

1. Remove the Front Knob and the Main Belt Cover (**Figure 12**)
2. Remove the two Side Belt Covers using a 7/16" Wrench.
3. Push and hold the Belt Tension Release Lever towards the center of the machine. (**Figures 13 and 14**).
4. Remove the Belt from the Blade Pulleys and the right side Idler Pulley.
5. Move the end of the Belt Guide out so the Belt can be moved underneath the Belt Guide to the outside.
6. Pull the Belt up between the Pulley and Belt Guide (Gap) to remove.
7. Remove the Belt from the Engine Pulley.
8. Remove the lower Bolt on the Rear Link Plates (**Figure 15**) and swing the Link Plates out of the way so the Belt clears. Remove the Belt.
9. To mount the new Belt, reverse the above procedure. The correct Belt travel on the Pulleys is shown in **Figure 13**.

**NOTE:** Ensure that the Belt is routed properly through the Belt Guide, is between the Pulley and Guide (gap) and that the Hook portion of the Belt Guide is underneath the Tension Lever (**Figure 14**) when assembling.

**NOTE:** Be certain to replace the Side Belt Cover Hardware in the position and order that you removed it (see "Schematic – Deck Assembly" in Chapter 6 for reference when re-installing the covers).

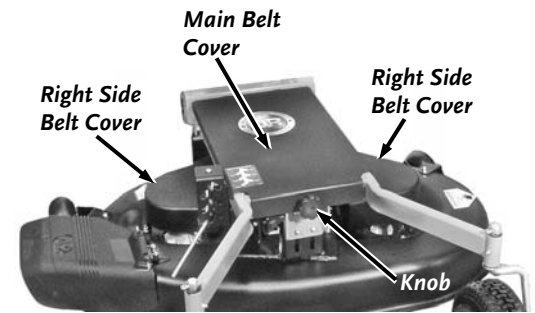


Figure 12

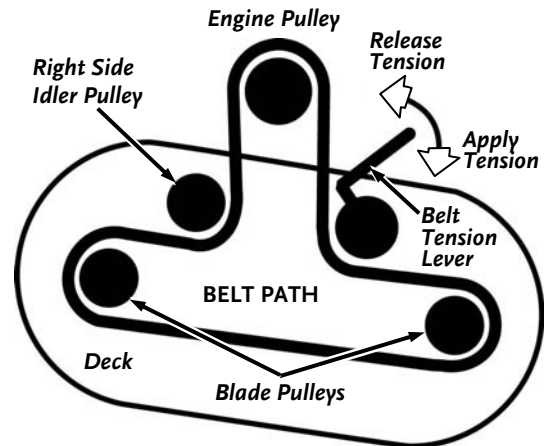


Figure 13

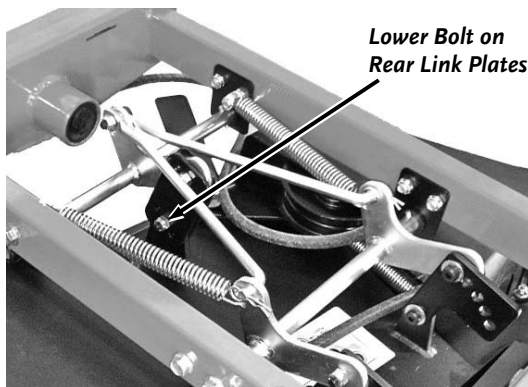


Figure 15

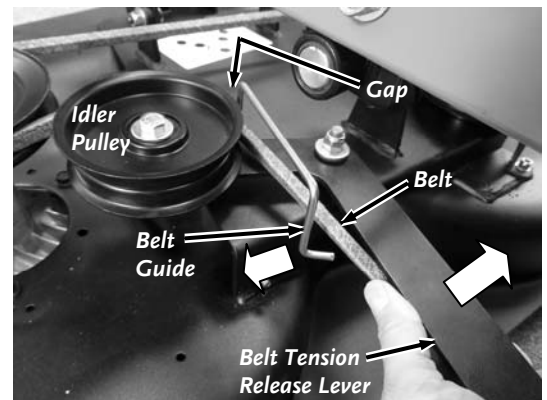


Figure 14

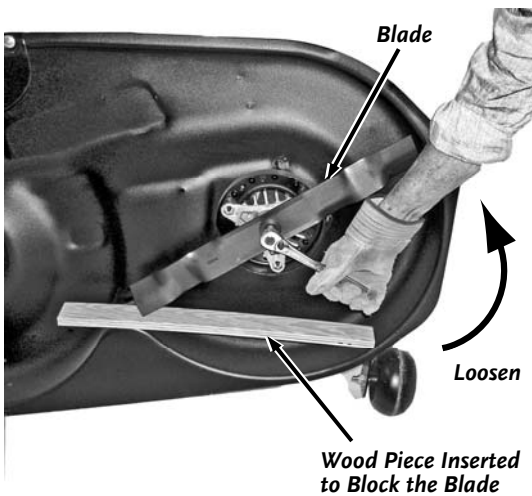


Figure 16

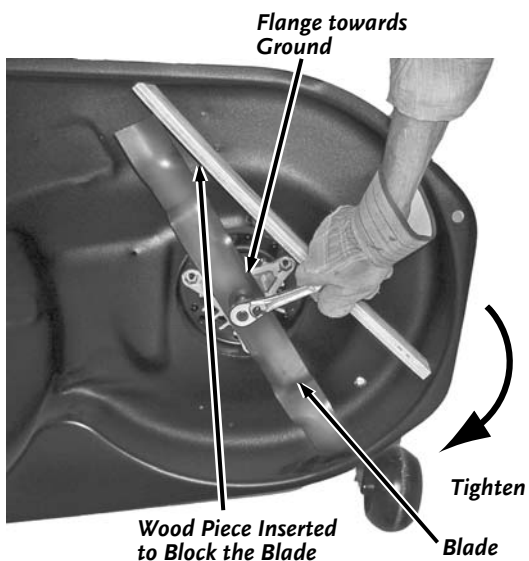


Figure 17

## Removing and Replacing the Blades

### **! WARNING**

- Before performing any maintenance procedure or inspection, stop the engine of the Field and Brush Mower, wait five (5) minutes to allow all parts to cool. Disconnect the spark plug wire, keeping it away from the spark plug.
- Use caution when pushing or pulling the Wrench next to the Blade. Wear Gloves; if the Wrench slips off the Bolt, you may be seriously injured.

#### Tools and Supplies needed:

- 9/16" Wrench or Socket
  - Torque Wrench (optional)
  - Protective Gloves
  - Board to brace the Blade
1. Remove the Deck from the DR Field and Brush Mower and secure the Deck so you can access the Blades.
  2. Block the Blade with a piece of wood between the Blade and the Mower Deck. (Figure 16)
- NOTE:** Observe the orientation of the Blade before removing in the next step.
3. Loosen the Bolt and remove the Blade Bolt, Lock Washer, and Blade Washer by turning counter clockwise (right hand, regular thread).
  4. Remove the Blade.
  5. Repeat Steps 2 thru 4 for the other Blade.
  6. Mount the new Blade (with the center flange towards the ground), Blade Washer, Lock Washer, and Blade Bolt, in that order.
  7. Block the blade with the wood piece and tighten securely (Torque 30-40 ft-lbs.) (Figure 17).
- NOTE:** Be sure that you have the Blade seated completely over the small ridge in the spindle hub before tightening the Bolt.
8. Repeat Step 6 for the other Blade.

## Leveling the Lawn Mower Deck

The DR 42" LAWN MOWER DECK settings made at the factory are suitable for most purposes, however, leveling adjustments from side to side and front to rear can be made if desired by following the instructions below.

### **WARNING**

Before performing any maintenance procedure or inspection, stop the engine of the DR Field and Brush Mower, wait five (5) minutes to allow all parts to cool. Disconnect the spark plug wire, keeping it away from the spark plug.

**NOTE:** All references to left and right are from the Operator's position.

#### Tools needed:

- 1/2" Wrench
- 3/16" Allen Wrench

1. Move the machine to a level area.
2. Unscrew the Knob and remove the Main Belt Cover (**Figure 18**) and locate the Adjustment Brackets (**Figure 19**).

#### Leveling the Deck Front to Rear

**NOTE:** Adjusting the Deck so the rear is 1/4" higher than the front will provide the best cut.

1. Measure the distance from the ground to the bottom of the Deck Edge Flange at the front and rear of the Deck (**Figure 20**).
2. Using a 3/16" Allen Wrench and a 1/2" Wrench, adjust the Deck from front to rear as needed by moving the top and/or the bottom Bolt to a different hole in the Rear Adjustment Bracket (**Figure 21**).
3. You can make further adjustments front to back by adjusting the Front Brackets (**Figure 22**). Each adjacent hole will alter the deck height by 1/4" front to back if you move both Front Brackets at the same.

#### Leveling the Deck Side to Side

4. Measure the distance from the ground to the bottom of the Deck Edge Flange on the left and right sides of the Deck (**Figure 20**).
5. Using a 3/16" Allen Wrench, adjust the Deck on each side as needed by moving the Mounting Bolt to a different hole in the Front Bracket. Each Hole in the Front Bracket will change the Deck height on that side by 1/4".

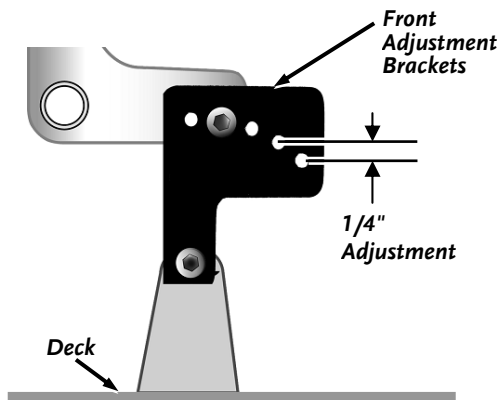


Figure 22

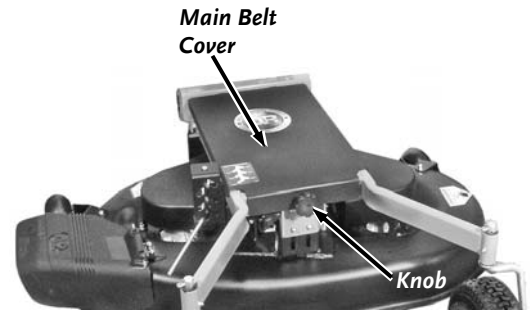


Figure 18

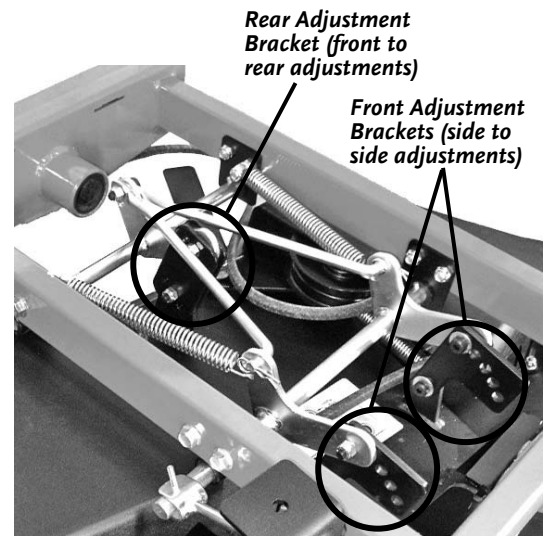


Figure 19

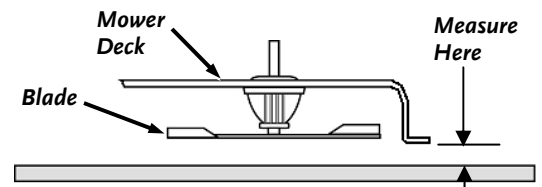


Figure 20

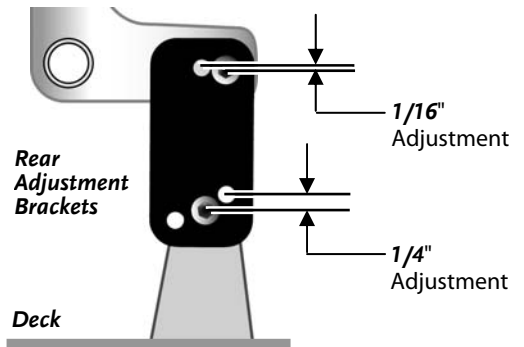


Figure 21

## Chapter 5: Troubleshooting

Most problems are easy to fix. Consult the Troubleshooting Table below for common problems and their solutions. If you continue to experience problems, contact us at [www.DRpower.com](http://www.DRpower.com) or call toll-free 1-800-DR-OWNER (376-9637) for support.

### **WARNING**

Before performing any maintenance procedure or inspection, stop the engine of the DR Field and Brush Mower, wait five (5) minutes to allow all parts to cool. Disconnect the spark plug wire, keeping it away from the spark plug.

### *Troubleshooting Table*

<b>SYMPTOM</b>	<b>POSSIBLE CAUSE</b>
<i>The Deck lacks power.</i>	<ul style="list-style-type: none"><li>⇒ Check the Belt for wear.</li><li>⇒ Check the Blades Drive Pulleys for looseness. If you find a loose Pulley, remove the Pulley and inspect the Pulley Hub and Blade Spindle, and replace if worn, or damaged. The design of the Pulleys is to shear with severe loads or impact.</li></ul>
<i>Excessive vibrations.</i>	<ul style="list-style-type: none"><li>⇒ Check the Blades for nicks and wear. Replace or sharpen and balance the Blades if they become dull, or have them professionally sharpened if needed. Never try to straighten a bent Blade. Be sure to replace the Blades in the proper orientation. See page 12</li><li>⇒ The Blades may not be seated properly on the Hubs. Loosen the Blade Bolts, reset the Blades, and tighten the Bolts. See page 12.</li><li>⇒ The Blade Spindle Bearings may be bad. Call 1 (800) DR-OWNER (376-9637) for assistance.</li><li>⇒ Check and retighten all of the fasteners as required.</li></ul>
<i>The Belt frays or rolls over the Pulleys.</i>	<ul style="list-style-type: none"><li>⇒ A Pulley groove may have a nick in it. File off any nicks on the Pulleys.</li><li>⇒ Check the Belt for wear and hard spots.</li><li>⇒ The Belt may be stretched; replace it.</li><li>⇒ Check Flat Idler and Tensioning Pulley for alignment and wear; replace as needed.</li></ul>
<i>The cut material is not properly discharging out of the right side of the Deck.</i>	<ul style="list-style-type: none"><li>⇒ The Discharge may be blocked. Disengage the Blades, turn off the engine, set the parking brake, disconnect the spark plug wire(s), and then check for debris.</li></ul>
<i>The Blades do not cut or are loose.</i>	<ul style="list-style-type: none"><li>⇒ The Blades may not be seated properly on the Hubs. Loosen the Blade Bolts, reset the Blades, and tighten the Bolts. See page 12.</li></ul>



## Chapter 6: Parts Lists, Schematic Diagrams And Warranty

---

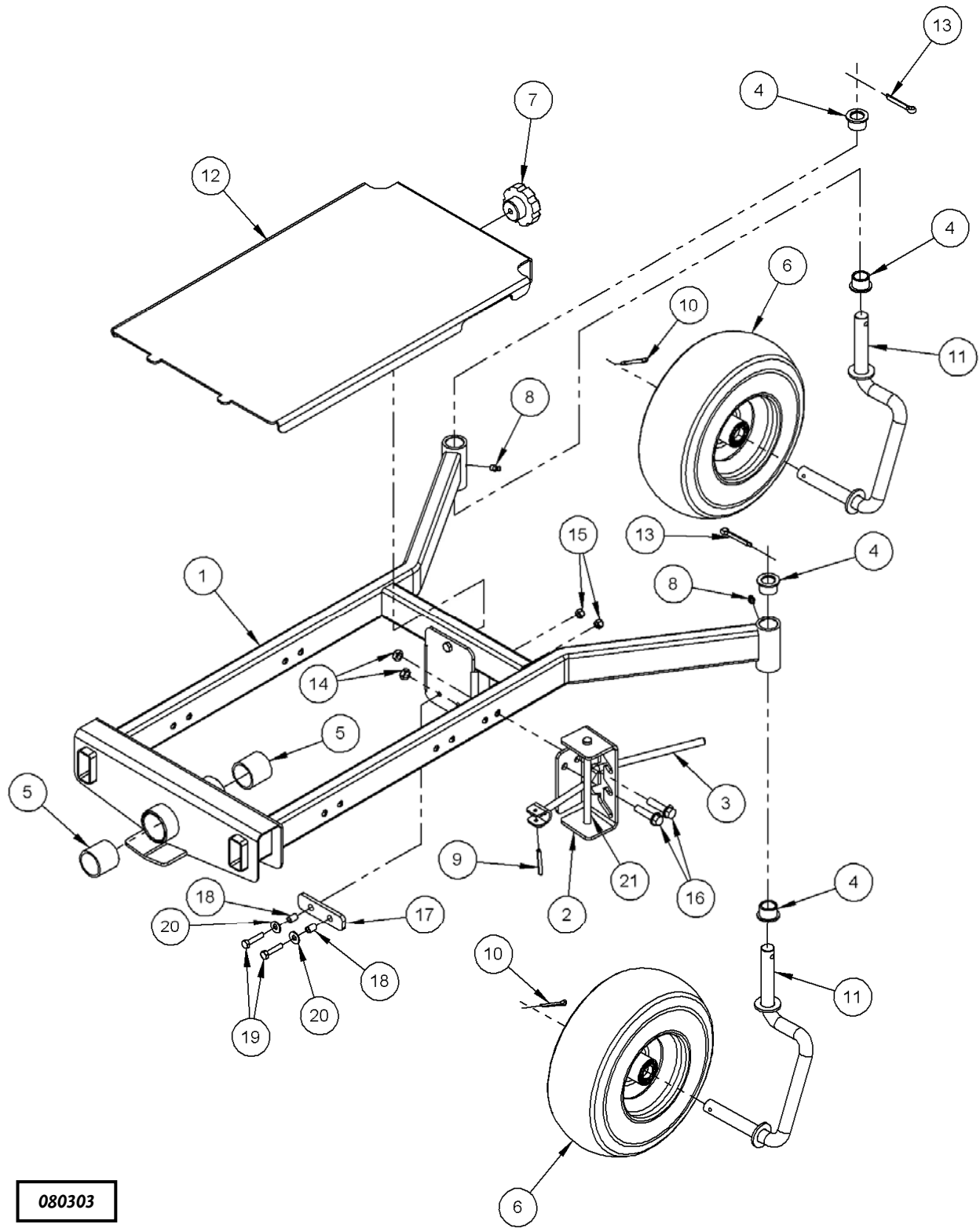
### Parts List - Deck Frame Assembly

**NOTE:** Part numbers listed are available through DR Power Equipment.

<u>Ref#</u>	<u>Part#</u>	<u>Description</u>	<u>Safety and Information Labels</u>	
01	151501	Frame	192391	Label, DR Logo, 5.75", Silver
02	157141	Plate, Height Adjustment	157641	Label, Height Adjustment
03	151561	Lever, Height Adjuster		
04	123761	Bushing, .766" ID x 1.0" OD		
05	150721	Bushing, 1.38" ID x 1.63" OD x 1.5" L		
06	193131	Wheel, Caster, 11.4" x 4", Gray		
07	143661	Knob, Handlebar, 5/16"-18		
08	101891	Grease Fitting, 1/4"-28, Straight		
09	110961	Pin, Roll, 3/16" x 1"		
10	126851	Pin, Cotter, 3/16" x 1-1/2"		
11	151511	Yoke, Caster Axle		
12	160851	Cover, Guard, Main Belt, Center		
13	160911	Pin, Cotter, 1/4" x 1-1/2"		
14	164131	Nut, Nylon Lock, 3/8"-16, Low Profile		
15	110731	Nut, Nylon Lock, 1/4"-20		
16	145221	Screw, 3/8"-16 x 1-1/2"		
17	151641	Plate, Anti-Torsion		
18	157221	Bushing, .265" ID x .370" OD		
19	114681	Bolt, 1/4"-20 x 1-1/4", HCS		
20	112381	Washer, Flat, 1/4", USS		
21	192461	Pin, Clevis		



# Schematic – Deck Frame Assembly



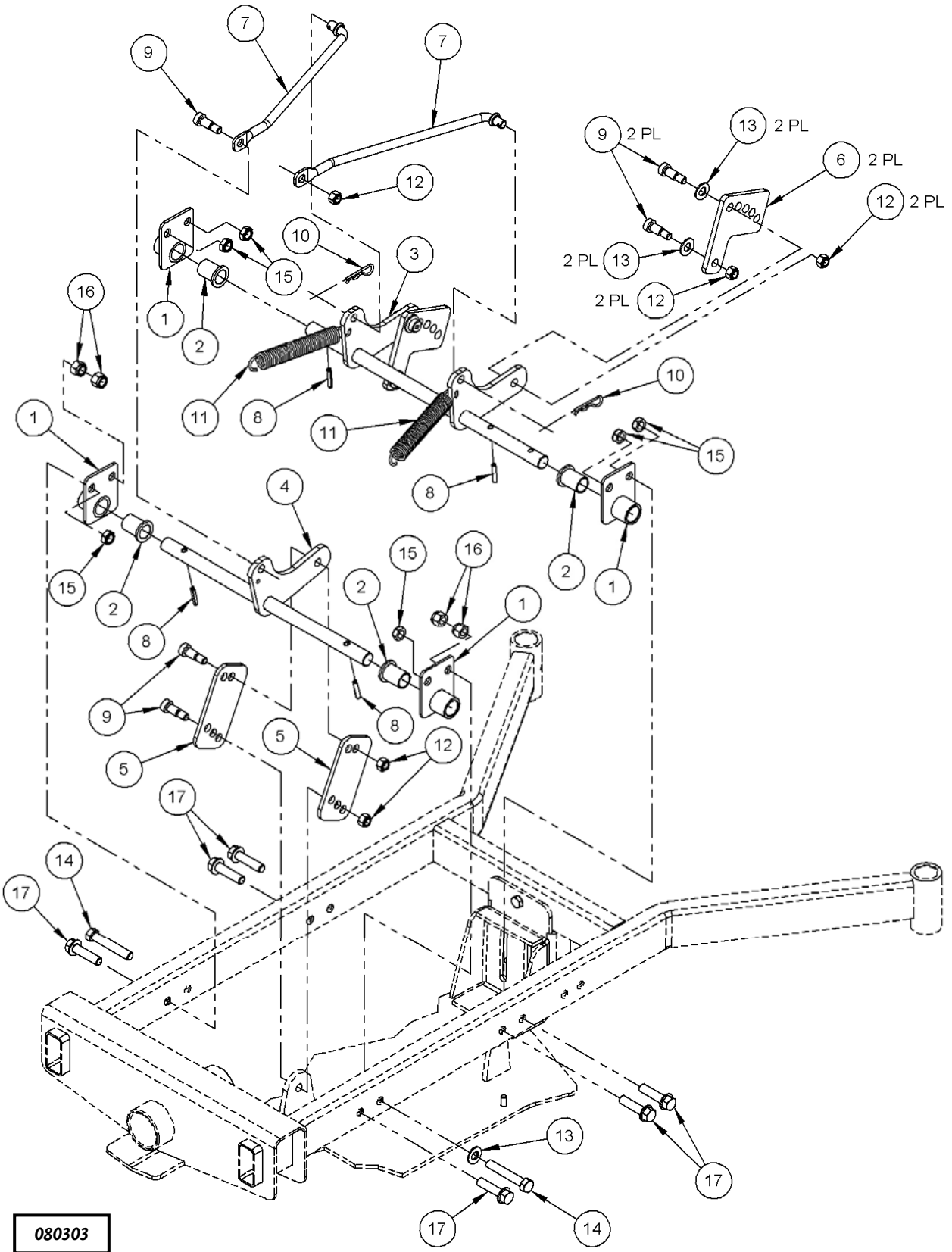
080303

## **Parts List – Height Adjuster Assembly**

**NOTE:** Part numbers listed are available through DR Power Equipment.

<b>Ref#</b>	<b>Part#</b>	<b>Description</b>
01	151551	Hanger, Lawn Deck Shaft
02	151491	Bushing, .645" ID x .75" OD x1.1" L
03	151541	Rod, Hanger, Front
04	151531	Rod, Hanger, Rear
05	157191	Plate, Link, Rear
06	151631	Plate, Link, Front
07	151591	Connector, Linkage
08	110971	Pin, Spring, 3/16" x 1-3/4"
09	151601	Screw, Shoulder, 5/16"-18
10	151921	Pin, Hitch Clip
11	157231	Spring, E, .750" OD x .093" Wire
12	110761	Nut, Nylon, Lock, 5/16"-18
13	121701	Washer, Flat, 3/8", SAE
14	157121	Bolt, 3/8"-16 x 2-1/4", HCS
15	164131	Nut, Nylon Lock, 3/8"-16, Low Profile
16	110751	Nut, Nylon Lock, 3/8"-16
17	145221	Screw, 3/8"-16 x 1-1/2"

# Schematic – Height Adjuster Assembly



080303

## Parts List – Deck Assembly

**NOTE:** Part numbers listed are available through DR Power Equipment.

<u>Ref#</u>	<u>Part#</u>	<u>Description</u>	<u>Ref#</u>	<u>Part#</u>	<u>Description</u>
01	151701	Spindle Assembly w/Hardware	23	157211	Bushing, 3/8" ID x 5/8" OD x 1.03" L
02	151481	Lawn Deck w/Plate	24	157131	Screw, Shoulder, 3/8"-16
03	151471	Lever, Idler Arm	25	157321	Nut, Push, 5/16"
04	151271	Pulley, Flat, Idler, 4"	26	157081	Wheel, Anti-Scalping
05	181601	Guard, Left Belt Cover	27	157311	Screw, 5/16"-18 x 1-1/4", Tri Lobe
06	181611	Guard, Right Belt Cover	28	150941	Spring, E, .750" OD x .112" Wire, 5.0" L
07	150691	Bolt, Shoulder, 3/8"-16 x 2-1/2", HCS	29	165131	Bolt, Locking, 3/8"-24 x 1-1/4", GR 8
08	151711	Pulley, V Belt, 6"	30	157301	Bolt, 1/4"-20 x 3/4", HCS
09	165121	Nut, Hex Lock, 9/16"-18	31	145291	Bolt, Carriage, 5/16"-18 x 3/4"
10	165161	Spacer, .675" ID x 1.125" OD	32	110731	Nut, Nylon Lock, 1/4"-20
11	151681	Stripper	33	110761	Nut, Nylon Lock, 5/16"-18
12	151691	Blade, 21", Mulching	34	121701	Washer, Flat, 3/8", SAE
13	165141	Washer, .385" ID x 1.390" OD	35	112391	Washer, Flat, 3/8" USS
14	160281	Spacer, .39" ID x 1" OD x .785"L	36	165151	Washer, .385" ID x .691" OD
15	123371	Bolt, 3/8"-16 x 2-3/4", HCS	37	151731	Belt, A100K, 1/2" x 102"
16	151881	Deflector			(S/N starting with ATM)
17	151901	Pin, Hinge, .312" x 6.75"		366291	Belt, AK93, 1/2 x 95.3
18	150051	Spring, Deflector			(S/N starting with AT4)
19	150631	Bracket, Deflector	38	110751	Nut, Nylon Lock, 3/8"-16
20	151281	Baffle, Vortex	39	112371	Washer, Flat, #10, USS
21	157111	Bracket, Anti-Scalping, RH Wheel	40	112481	Washer, Lock, Ext Star, 1/4"
22	157101	Bracket, Anti-Scalping, LH Wheel	41	350171	Guide, Belt

### Not Illustrated

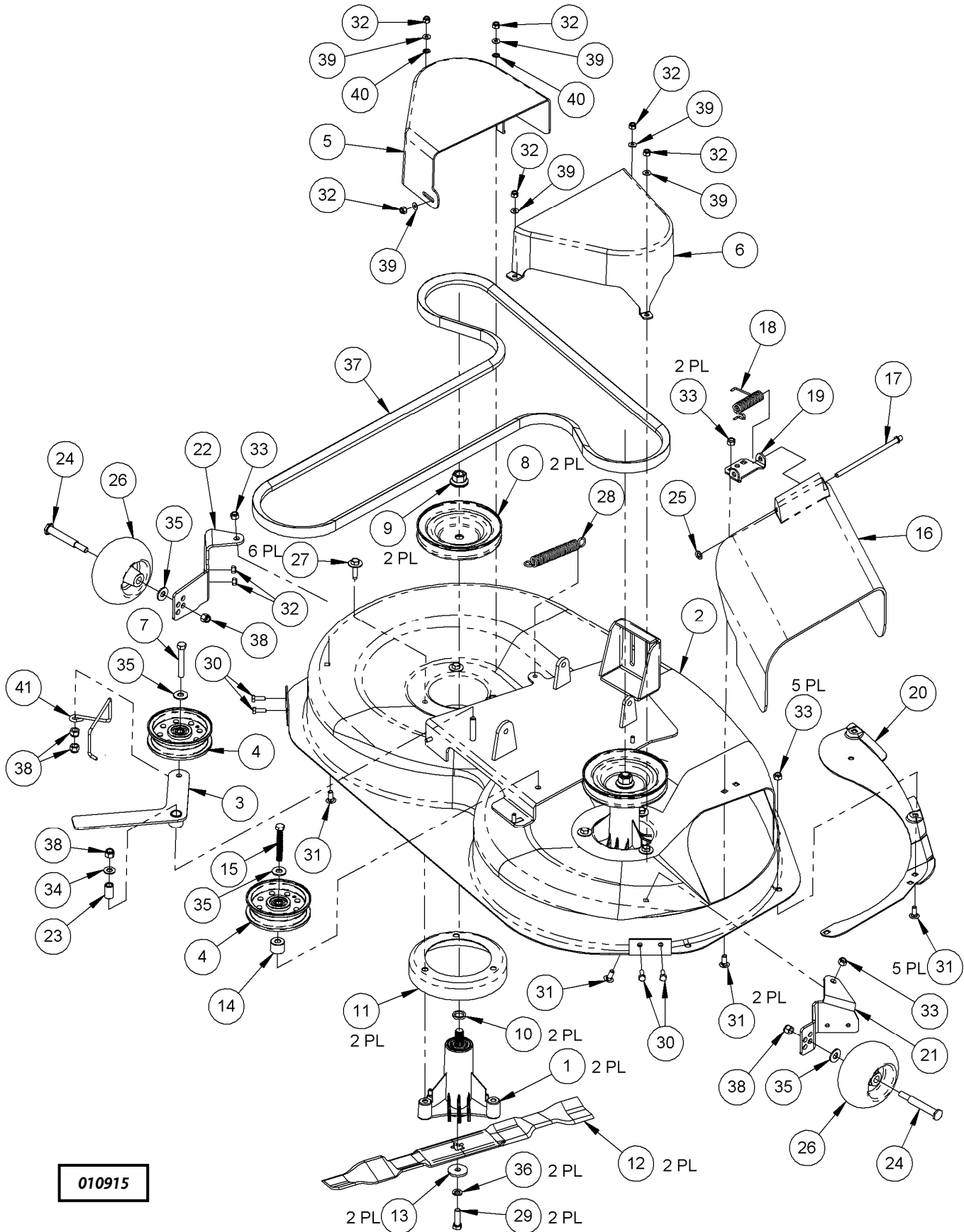
151911 Mulching Kit

### Safety and Information Labels

136491 Label, Danger

164381 Label, Belt Guide

**Schematic – Deck Assembly**



010915

**Notes:**

# DR® 42" LAWN MOWER DECK



## 2-Year Limited Warranty

### Terms and Conditions

The DR® 42" LAWN MOWER DECK is warranted for two (2) years against defects in materials or workmanship when put to ordinary and normal consumer use; ninety (90) days for any other use.

For the purposes of all the above warranties, "ordinary and normal consumer use" refers to non-commercial residential use and does not include misuse, accidents or damage due to inadequate maintenance.

DR Power Equipment certifies that the DR® 42" LAWN MOWER DECK is fit for ordinary purposes for which a product of this type is used. DR Power Equipment however, limits the implied warranties of merchantability and fitness in duration to a period of two (2) years in consumer use, ninety (90) days for any other use.

The 2-Year Limited Warranty on the DR® 42" LAWN MOWER DECK starts on the date the machine ships from our factory. The 2-Year Limited Warranty is applicable only to the original owner.

The warranty holder is responsible for the performance of the required maintenance as defined by the manufacturer's owner's manuals. The warranty holder is responsible for replacement of normally wearing parts such as the Drive Belt and Blades. Attachments and accessories to the machine are not covered by this warranty.

During the warranty period, the warranty holder is responsible for the machine transportation charges, if required. During the warranty period, warranty parts will be shipped by standard method at no charge to the warranty holder. Expedited shipping of warranty parts is the responsibility of the warranty holder.

SOME STATES DO NOT ALLOW LIMITATIONS ON THE LENGTH OF IMPLIED WARRANTIES, SO THE ABOVE LIMITATIONS MAY NOT APPLY TO YOU.

DR Power Equipment shall not be liable under any circumstances for any **incidental or consequential damages or expenses** of any kind, including, but not limited to, cost of equipment rentals, loss of profit, or cost of hiring services to perform tasks normally performed by the DR® 42" LAWN MOWER DECK.

SOME STATES DO NOT ALLOW THE EXCLUSION OR LIMITATION OF INCIDENTAL OR CONSEQUENTIAL DAMAGES, SO THE ABOVE LIMITATIONS MAY NOT APPLY TO YOU.

THIS WARRANTY GIVES YOU SPECIFIC LEGAL RIGHTS, AND YOU ALSO HAVE OTHER RIGHTS, WHICH VARY FROM STATE TO STATE.

## Daily Checklist for the 42 "DR LAWN MOWER DECK

To help maintain your DR Lawn Mower Deck for optimum performance, we recommend you follow this checklist each time you use your Lawn Deck.

---

### WARNING

Before performing any maintenance procedure or inspection, stop the engine of the DR Field and Brush Mower, wait five (5) minutes to allow all parts to cool. Disconnect the spark plug wire, keeping it away from the spark plug.

---

- [ ] Check the Belt for wear, proper alignment and tension.
- [ ] Check the Blades for tightness, nicks and wear. Remove any wrapped weeds and grass from the Blade Bearing Housings to prevent buildup.
- [ ] Check the general condition of the Lawn Deck, e.g.; nuts, bolts, welds, etc.
- [ ] Check Tire Pressure and wear.
- [ ] Check the Belt Guards for damage.

### End of Season and Storage

---

### WARNING

Before performing any maintenance procedure or inspection, stop the engine of the Field and Brush Mower, wait five (5) minutes to allow all parts to cool. Disconnect the spark plug wire, keeping it away from the spark plug.

---

- Remove any wrapped weeds from the blade bearing housings. Clean grass and debris from the top and underneath the mower deck with a stiff brush.
- Check the blades for nicks and wear. Replace or sharpen and balance the blades if they become dull, or have them professionally sharpened if needed. Never try to straighten a bent blade. Dull or bent blades can cause excessive vibration and wear.
- Clean the exterior of the unit to remove all dirt, grease, and any other foreign material. To prevent rust, touch up painted surfaces that have been scratched or chipped.
- Be sure all nuts, bolts, and screws are securely fastened.
- Inspect moving parts and the Drive Belt for damage and wear; replace if necessary.
- If possible, store the Lawn Deck in a dry, protected place. If it is necessary to store the Lawn Deck outside, cover it with a protective material.



---

75 MEIGS ROAD, P.O. BOX 25, VERGENNES, VERMONT 05491