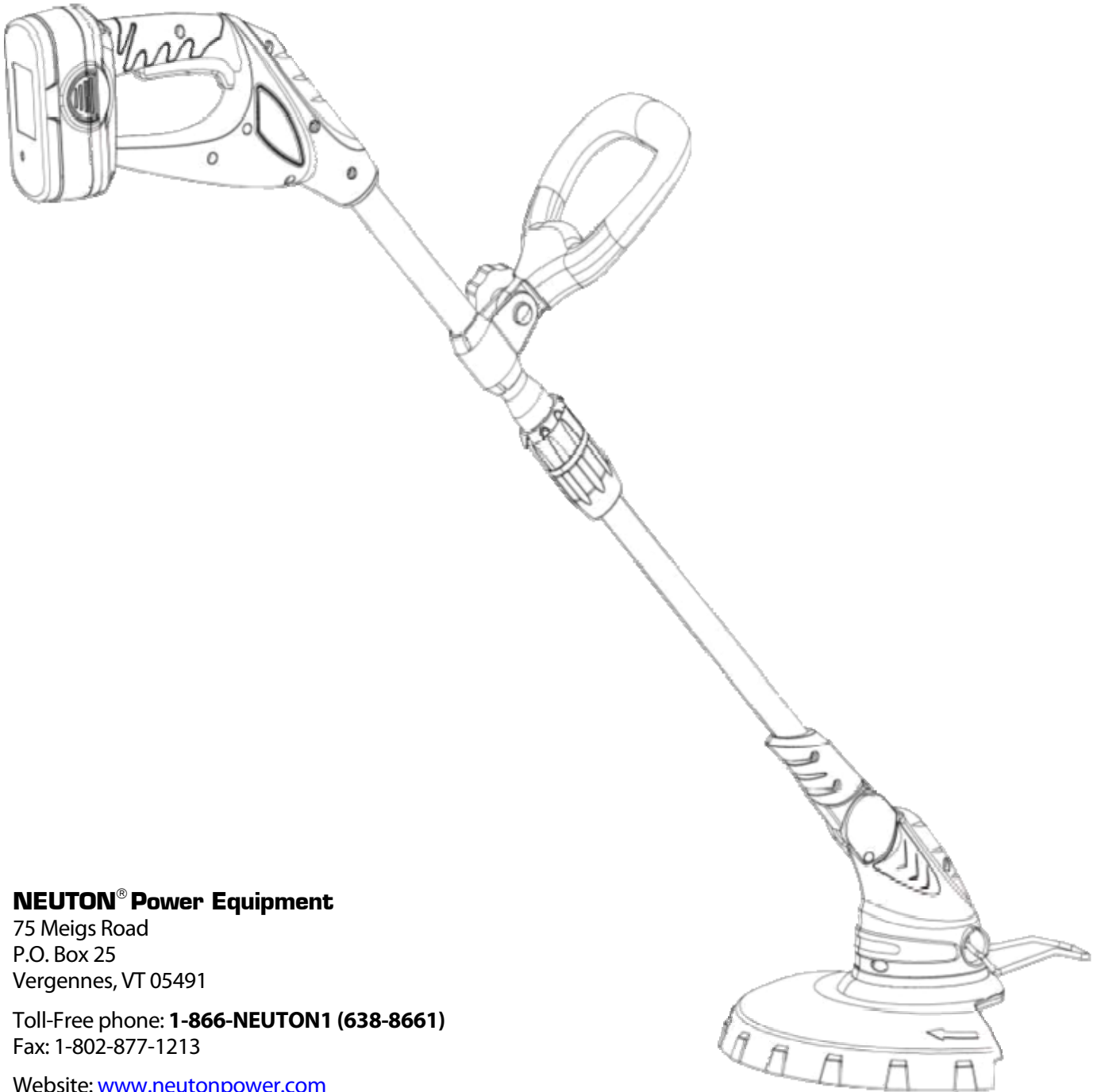




# Battery-Powered String Trimmer

*Safety & Operating Instructions*

---



**NEUTON® Power Equipment**

75 Meigs Road  
P.O. Box 25  
Vergennes, VT 05491

Toll-Free phone: **1-866-NEUTON1 (638-8661)**

Fax: 1-802-877-1213

Website: [www.neutonpower.com](http://www.neutonpower.com)

E-MAIL: [INFO@NEUTONPOWER.COM](mailto:INFO@NEUTONPOWER.COM)



Read and understand this manual and all instructions before operating this Trimmer.

---

## Table of Contents

Chapter 1: Important Safety Considerations.....	2
Chapter 2: Unpacking, Assembling and Charging the Battery Pack on your String Trimmer .....	4
Chapter 3: Operating Your NEUTON Battery-Powered String Trimmer .....	6
Chapter 4: Troubleshooting Your NEUTON Battery-Powered String Trimmer.....	8
Chapter 5: Parts List, Schematic Diagram, and Warranty .....	8

## Conventions used in this Manual



This indicates a hazardous situation, which, if not avoided, *could result in death or serious injury*.



This indicates a hazardous situation, which, if not avoided, *could result in minor or moderate injury*.



This information is important in the proper use of your tool. Failure to follow this instruction could result in damage to your tool or property.

**Tip:** This is a helpful hint to guide you in getting the most out of your NEUTON Battery-Powered String Trimmer.

**NOTE:** This information may be helpful to you in using your Trimmer.

Neuton Inc. reserves the right to discontinue, change, and improve its products at any time without notice or obligation to the purchaser. The descriptions and specifications contained in this manual were in effect at printing. Equipment described within this manual may be optional. Some illustrations may not be applicable to your equipment.

## NEUTON Battery-Powered String Trimmer Product Specifications

<b>Motor</b>	
Input	18V DC
<b>Controls</b>	
ON/OFF	One (1) Trigger Switch w/Lock-Off Button
Handles	Rubber Molded Adjustable/Telescopic Handles
<b>Trimmer Housing</b>	
Material	Injected Polypropylene
Weight	5.3 lbs. (including Battery)
<b>Trimming</b>	
Cutting Width	12 inches
String Speed	8,500 RPM
Line	.065", Semi-Automatic Feed
Edging function	Yes
<b>Battery Pack</b>	
Voltage	18V DC, 1.7 AH
Battery Pack Charger	Included with Trimmer. 18V Charger, plugs into standard electrical outlet
Charge Time	5-6 Hours to recharge
Replacement	Easy to snap-in and out of Trimmer housing

## Chapter 1: Important Safety Considerations

We want you to enjoy years of safe and productive use from your NEUTON Battery-Powered String Trimmer. We do not want you injured, so please take a few moments to read the following instructions for safely operating your new Tool.

Take a moment to study the following labels and make a note of their location *before* you operate the Trimmer. Replace damaged or missing safety and information labels immediately.



WARNING Label near Trimmer Head



Battery Charger WARNING Label



Battery Pack WARNING Label

## Protecting Yourself and Those around You

### **WARNING!**

- Tragic accidents can occur if the operator is not alert to the presence of children. Children are often attracted to the Trimmer and the activity of trimming. Never assume that children will remain where you last saw them.
- Never allow bystanders, or pets in your work area when operating the Trimmer. The Cutting Cord on the NEUTON Battery-Powered String Trimmer can throw sticks, small stones, gravel, and bits of debris over long distances. Stop the tool if anyone enters the area.
- Only allow responsible individuals who have a thorough understanding of these instructions to operate the Trimmer. Never allow children to operate the tool.
- If you are ever unsure about an action you are about to take, please do not do it.

## Dressing Appropriately

### **WARNING!**

- Always wear protective goggles or safety glasses with side shields that are marked to comply with ANSI Z87.1 standard when using your NEUTON Battery-Powered String Trimmer to protect your eyes from possible thrown debris.
- We recommend the use of ear protectors or earplugs rated for at least 20 DBA to protect your hearing.
- Wear shoes with non-slip treads when using the Trimmer. If you have safety shoes, wear them. Do not use the Trimmer while barefoot or wearing sandals with exposed toes or heels.
- We recommend wearing long pants and rubber gloves while using this tool.

## Preparing to Use Your Trimmer

### **WARNING!**

- Read, understand, and follow all instructions on the Trimmer and in the manual. Be thoroughly familiar with the control and the proper use of the Trimmer before starting.
- Thoroughly inspect the area where you will be using the Trimmer, and remove all wire, sticks, and any other foreign objects which could become entangled in or thrown by the Trimmer Cord. Be particularly careful to avoid any wire bent outwardly into the path of the tool, such as barbs at the base of a chain link fence.

## Operating Your Trimmer Safely

### **WARNING!**

- Do not use your NEUTON Battery-Powered String Trimmer for any job other than the intended use.
- Avoid unintentional starting - don't carry the NEUTON Battery-Powered String Trimmer with your finger on the ON/OFF Switch.
- Do not put any part of your body near the Trimming Cord when operating. Keep both hands on the Handles.
- Remove the Battery Pack when inspecting, cleaning, or clearing any jammed material from the Trimmer Guard.
- Never pick up or hold the Trimmer by the Cutting Cord or Guard.
- Be aware that the Cutting Cord will coast to a stop after releasing the ON/OFF Trigger; it does not stop immediately.
- Do not operate the Trimmer in gaseous or explosive atmospheres. Motors in these tools normally spark, and the sparks might ignite fumes.
- Do not operate the Trimmer near electrical wires.
- Never over reach and keep proper footing and balance at all times.
- Do not force the Trimmer - it will do the job better and with less likelihood of a risk of injury when cutting at its own rate.
- Never operate the Trimmer in the rain.
- Watch out for traffic when operating near roadways.
- Operate only in daylight or in an area well lit by artificial light.
- Do not operate the tool when you are tired or under the influence of medication, drugs, or alcohol.
- If the Trimmer vibrates abnormally, stop the motor, remove the Battery Pack, and inspect the tool for any damage. Check for alignment of moving parts, binding of moving parts, breakage of parts, mounting and any other condition that may affect its operation. Repair the damage before restarting and operating the Trimmer. **Note:** *Excessive vibration is generally a sign of trouble.*
- Do not operate the Trimmer if it does not start normally or stop normally with the ON/OFF Switch.
- Never use the Trimmer with a damaged or missing Guard.
- If you strike or entangle with an object, stop the Trimmer immediately. Check for damage and have any damage repaired before further operation is attempted. Do not operate with a broken Hub or Spool.

## Handling the Battery Pack Safely

### **! WARNING!**

- Always charge the Battery Pack indoors, never charge it the rain or in wet conditions.
- Use only the Charger provided to charge the Battery Pack. Use of a different Charger may cause a fire or explosion.
- Never attempt to alter or open the Battery Pack or Charger. There are no customer serviceable parts inside. Use normal household voltage (110 volts) when charging the Battery Pack. Plug the Charger Power Supply directly into the electrical outlet.
- Exercise care in handling the Battery Pack in order not to short-circuit it with conducting materials such as rings, bracelets, and keys. When short-circuited, the Battery Pack or conductor may overheat and cause burns.
- Never dispose of the Battery Pack in a fire, as the Battery Pack may explode. Never open or mutilate the Battery Pack; released electrolyte is corrosive and will cause damage to eyes, skin, or clothes. Battery Pack electrolyte is toxic if swallowed or if you inhale the fumes.
- A small leakage of liquid from the Battery Pack may occur under extreme usage, charging, or temperature conditions. This does not indicate a failure. However, if the outer seal is broken and this leakage gets on your skin, wash quickly with soap and water and neutralize with a mild acid such as lemon juice or vinegar. If the Battery Pack liquid gets in your eyes, flush them with clean water for a minimum of 10 minutes and seek immediate medical attention.
- Please dispose of your used Battery Packs responsibly by recycling them, never throw away used Battery Packs in your household trash. Call your local Solid Waste Management District or your local waste handler to locate the collection site nearest you. Some collection sites recycle Battery Packs year-round; others collect them periodically.

You can also visit the Web site of Earth 911 for more information [[www.earth911.org](http://www.earth911.org)]. Once there, click the Municipal HHW link under Hazardous Household Waste, and enter your zip code. The site lists recycling centers located near you. You can also visit our website [www.neutonpower.com](http://www.neutonpower.com) and click on "Customer Service" to find distribution centers across the country that will accept your Battery Pack for 100% recycling of the plastic, nickel and cadmium.

To learn more about hazardous waste recycling, visit the Web site for the Environmental Protection Agency [[www.epa.gov](http://www.epa.gov)].

No list of Warnings and Cautions can be all-inclusive. If situations occur not covered by this manual, the operator must apply common sense and operate the NEUTON Battery-Powered String Trimmer in a safe manner. Visit our website at [www.neutonpower.com](http://www.neutonpower.com) or call Toll Free: **1-866-NEUTON1 (638-8661)** for assistance.

## **Chapter 2: Unpacking, Assembling and Charging the Battery Pack on your String Trimmer**

### **Carton Contents:**

- NEUTON Battery-Powered String Trimmer
- Safety Guard and four (4) Screws
- Battery Pack and Charger
- 2 extra Spools of Line
- *Safety and Operating Instructions*

### **Unpacking:**

1. Carefully remove the Trimmer, Safety Guard, Screws, Battery Pack, Charger, Line Spools, and the *Safety and Operating Instructions* from the Shipping Carton. Make sure that all items listed in the Carton Contents are included.
2. Inspect the product carefully to make sure no breakage or damage occurred during shipping. If you find damaged or missing parts, call Toll Free: **1-866-NEUTON1 (638-8661)** for assistance.

**NOTE:** Do not discard the Shipping Carton and packaging material until you are fully satisfied with your new NEUTON Battery-Powered String Trimmer.

### **Assembly:**

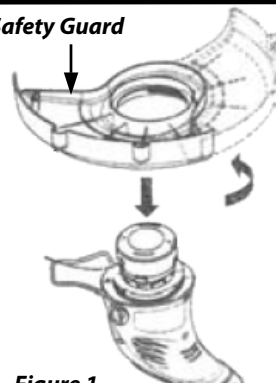
### **! WARNING!**

Do not install the Battery Pack until assembly is complete. Failure to comply could result in accidental starting and possible serious injury.

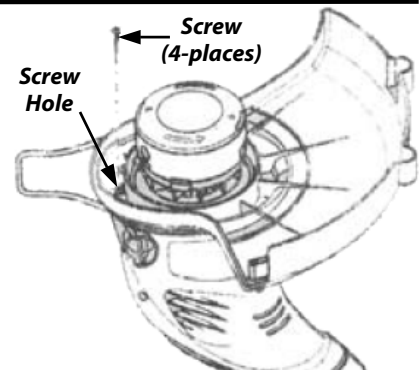
### **Tool Required:**

- Phillips Screwdriver
1. Position the Safety Guard as shown and slide it down over the Lug on the Motor Housing (**Figure 1**).
  2. Turn the Guard counterclockwise to lock into position (**Figure 1**).
  3. Using a Phillips Screwdriver, screw the Screws in the Guard into the Motor Housing (**Figure 2**).

**Safety Guard**



**Figure 1**



**Figure 2**

## Charge the Battery Pack before your first use:

The NEUTON Battery-Powered String Trimmer comes with a sealed, Nickel-Cadmium Battery Pack. The Battery Pack is 18 volts and rated at 1.7 amp-hours. The Battery Pack should not leak, regardless of the position in which it is stored. Read "Handling the Battery Safely" in Chapter 1 for additional information. The Battery Pack is completely maintenance free. You never need to add water. With all rechargeable Batteries, after years of use, they will eventually need replacement.

You **MUST** charge the Battery Pack for at least five (5) to six (6) hours before you use the Trimmer for the first time. If you do not charge it before using the Trimmer, the Battery Pack's charging capacity may decrease.

### **! NOTICE!**

- Make sure the Charger Power Supply is plugged into a normal household voltage, 120volts, 60Hz, AC only.
- You should operate the Battery Charger in a dry place with temperatures between 40°F (5°C) and +95°F (+35°C).
- Disconnect Charger Power Supply from the household voltage power when not in use to prevent damage to the Charger during a power surge.
- Periodically inspect the Cord on the Charger unit for damage. If damage occurs, do not use the Charger until you have replaced or repaired the Cord. Do not abuse the Cord. Never carry the Charger by the Cord. Always pull the plug – and not the Cord – when disconnecting the Power Supply from the electrical outlet (wall outlet) and from the Charger. When using an extension Cord with your Charger, use a heavy-duty extension Cord.
- It may take up to five (5) charging and discharging cycles before your Battery Pack provides maximum life.
- A Battery Pack may last much longer if you charge it as soon as it starts to lose power and not let it completely discharge. Recharge the Battery Pack as soon as the cutting power of your NEUTON Battery-Powered String Trimmer is no longer effective. This would be a good time to have a spare Battery Pack ready to go. Recharge the Battery Pack for five (5) to six (6) hours and remove it from the Charger.
- A good time to consider purchasing a replacement Battery Pack is when the Battery Pack takes longer than six (6) hours to charge.

1. Plug the Charger Power Supply into a standard household electrical outlet (**Figure 3**).
2. Place Battery Pack in the Charger (**Figure 3**). The Battery Pack and Charger have keyways so they will fit together only one way. When properly connected, the RED Charger Indicator Light (LED) will glow (**Figure 3**).

**NOTE:** The Charger Indicator Light will glow RED continuously while charging. When fully charged the LED light will glow GREEN.

### **! CAUTION!**

When installing the Battery Pack, **DO NOT** push the Lock-Off Button or squeeze the Trigger ON/OFF Switch (**Figure 4**).

1. Install the Charged Battery Pack in your NEUTON Battery-Powered String Trimmer by aligning the connector on the Battery Pack with the receptacle at the rear of the Trimmer and insert the Battery Pack (**Figure 4**) until the Latches on each side of the Battery Pack snap into place; assuring a secure connection to the Trimmer. Again, the Battery Pack and Trimmer Housing have keyways so they will fit together only one way.
2. To remove the Battery Pack, simply press both Latches on sides of the Battery Pack to release the Battery Pack from the NEUTON Battery-Powered String Trimmer Housing (**Figure 4**) and pull the Battery Pack straight back.

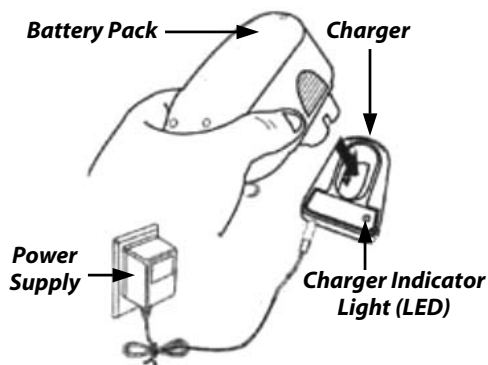


Figure 3

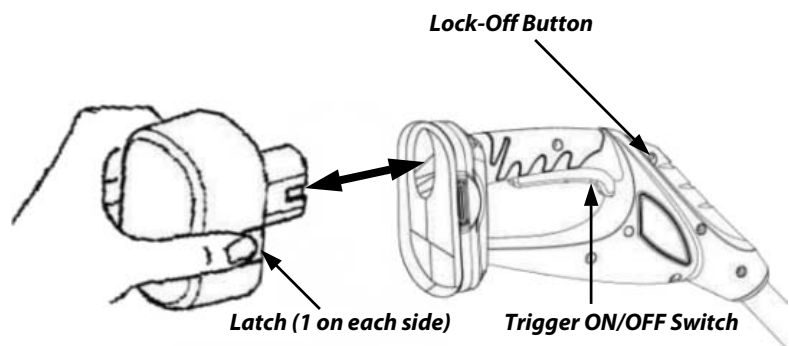


Figure 4

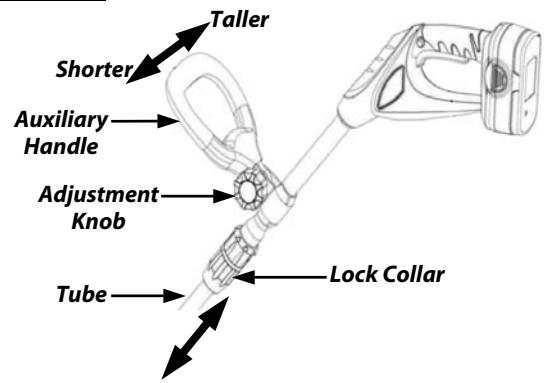
## Chapter 3: Operating Your NEUTON Battery-Powered String Trimmer

### Auxiliary Handle Adjustment

For maximum comfort and control, adjust the Auxiliary Handle (**Figure 5**) to suit your height. For shorter users, adjust the Handle to a lower position (away from you) and for taller users, adjust the Handle to an upper position (towards you). You should adjust the Handle so that your front arm is straight. To adjust the Auxiliary Handle, simply loosen the Adjustment Knob (counterclockwise), position the Auxiliary Handle as required and then tighten the Adjustment Knob (**Figure 5**).

### Height Adjustment

You can adjust the overall height of the Trimmer by loosening the Lock Collar (**Figure 5**). Now you can adjust the Tubes shorter or longer. When you achieve the desired height, rotate the Lock Collar back to the original tightened position.



### Starting the Trimmer

#### **! NOTICE!**

- Starting, stopping, and restarting an electric Motor repeatedly within a few seconds can generate a great deal of heat and damage the Motor. To protect the life of your NEUTON Battery-Powered String Trimmer, always wait at least five (5) seconds after stopping before restarting the Trimmer.
- Before you start the Motor, be certain that the Cutting Cord is not in contact with any object.

- Perform the Daily Checks listed on the back cover of this manual.
- Push the Lock-Off Button IN (**Figure 4** on page 5) with your thumb and squeeze the Trigger ON/OFF Switch (**Figure 4** on page 5) with your fingers. Once the Motor starts you can remove your thumb from the Lock-Off Button. If the Trimmer does not start, make sure the Battery Pack is charged and locked firmly into place in the Trimmer Housing.
- To stop the Trimmer, simply release the Trigger ON/OFF Switch.

### Using the Trimmer

#### Proper Trimming Stance

Balance your weight on both feet on solid ground keeping your forward arm with elbow locked in a "straight arm" position.

#### Basic Trimming Procedure (**Figure 6**)

Slowly swing the Trimmer from side-to-side.

**Tip:** Swing down the Wire Edge Guide to protect fence posts, foundations, plants, and shrubbery.

#### Edging with your Trimmer (**Figure 7**)

To convert the Trimmer for maintenance edging, first turn OFF the tool.

- While holding the Lower Trimmer Tube with one hand, pull up on the Edger Adjuster (**Figure 7**) with the other and rotate the Trimmer Head clockwise (when viewed from the ON/OFF Switch end) until it stops (half turn) and release the Edger Adjuster. The Trimmer Head is now locked in the Edger position.
- To operate as an Edger, position Trimmer above sidewalk as shown (**Figure 7**).
- To return to the trimming position, turn the tool OFF, pull up on the Edger Adjuster, and rotate the Trimmer head counterclockwise until it stops and then release the Edger Adjuster.



Figure 6

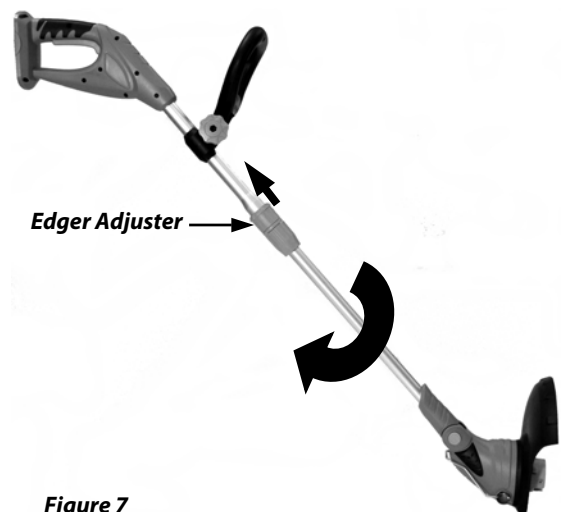


Figure 7

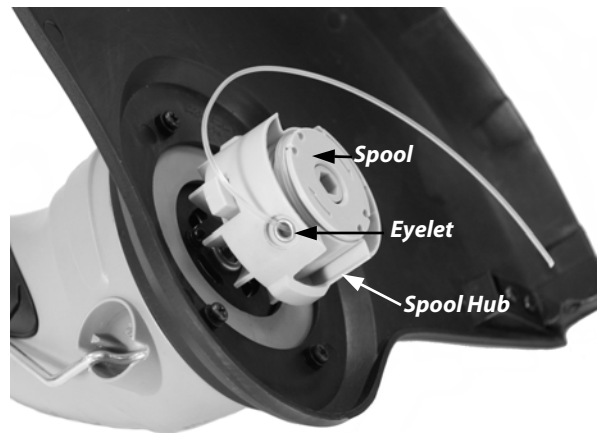
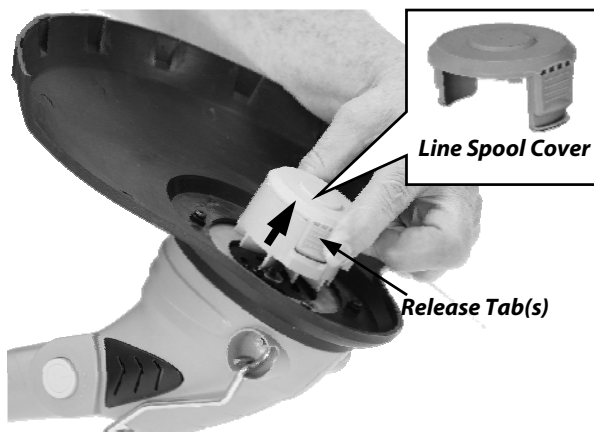
## **Line Feeding**

Your NEUTON Battery-Powered String Trimmer uses .065" (1.65mm) diameter Nylon Line to cut grass and weeds quickly and easily. In time, the tip of the Nylon Line will wear and the Auto Feed mechanism will automatically feed and trim a fresh length of Line. The Cutting Line will wear faster if you trim heavier weeds or edge along sidewalks or other abrasive surfaces. The Line will extend approximately 1/4" with each Stop and Start of the ON/OFF Trigger Switch until the Line reaches the length of the Safety Guard Blade. Do not bump unit on ground in attempt to feed Line or for any other purpose.

### **Clearing Jams and Tangled Lines (Figure 8)**

Occasionally, especially when cutting thick or stocky weeds, the Line Feeding Hub may clog with sap or other material and the Line will become jammed as a result. To clear the jam, follow these steps.

1. Turn OFF the Trimmer and remove the Battery Pack.
2. Press the Release Tabs on the Line Spool Cover and remove the Cover by pulling it straight off.
3. Lift the Spool of Nylon Line out of the Hub and clear any broken Line or cutting debris from the Spool area.
4. In case of jams and tangled Line, unwrap about one foot (30cm) of Line to ensure that it is undamaged. If it is OK, rewind it and insert the Line end through the Eyelet in the Spool Hub. Pull the Line through the Hole to maintain tension while placing the Spool back down into the Hub with the notched side exposed.
5. Press the Spool down GENTLY and rotate it until you feel it drop into place. When in place, the Spool will turn a few degrees left and right freely.
6. Snap the Spool Cover back on, insert the Battery Pack, and turn the Trimmer on. In a few seconds or less you'll hear the Line being cut automatically to the proper length.



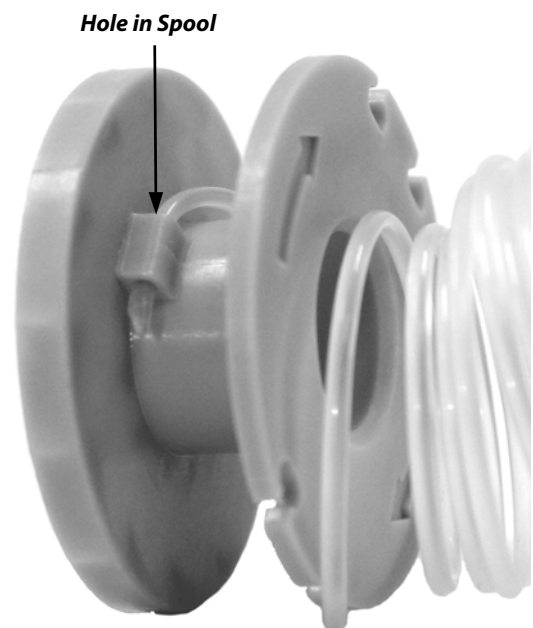
**Figure 8**

### **Rewinding Spool from Bulk Line**

You can purchase Bulk Line (.065" diameter) for your NEUTON Battery-Powered String Trimmer at a local Lawn and Garden Store or purchase pre-wound replacement Spools by visiting our website at [www.neutonpower.com](http://www.neutonpower.com).

To install Bulk Line, follow these steps:

1. Turn OFF the Trimmer and remove the Battery Pack.
2. Press the Release Tabs on the Line Spool Cover and remove the Cover by pulling it straight off (**Figure 8**).
3. Lift the Spool of Nylon Line out of the Hub and discard any remaining Line on the Spool.
4. Insert one end of the Bulk Line into the Hole in the Spool as shown (**Figure 9**).
5. Snugly and evenly, wind the Bulk Line onto the Spool in the direction of the Arrow until it is nearly full (about 10 feet of Line).
6. Insert the Line end through the Eyelet in the Spool Hub (**Figure 8**). Pull the Line through the Hole to maintain tension while placing the Spool down into the hub with the notched side exposed (**Figure 8**).
7. Press the Spool down GENTLY and rotate it until you feel it drop into place. When in place, the Spool will turn a few degrees left and right freely.
8. Snap the Spool Cover back on, insert the Battery Pack, and turn the Trimmer on. In a few seconds or less you'll hear the Line being cut automatically to the proper length.



**Figure 9**



## Chapter 4: Troubleshooting Your NEUTON Battery-Powered String Trimmer

### Troubleshooting Tips

Most difficulties are easy to fix. Consult the Troubleshooting Table for common problems and their solutions. If you continue to experience problems or need repairs beyond these minor adjustments, visit our website at [www.neutonpower.com](http://www.neutonpower.com) or call Neuton Inc. Toll Free at: **1-866-NEUTON1 (638-8661)** for assistance.

### **! WARNING!**

Always remove the Battery Pack before performing any adjustments, maintenance, or repairs to your Trimmer.

### Troubleshooting Table

PROBLEM	CORRECTIVE ACTION
The Trimmer Motor fails to start.	⇒ Check that you installed the Battery Pack correctly and that the Battery Pack is fully charged. ⇒ Make sure that you fully push in the Lock-Off Button before squeezing the ON/OFF Trigger Switch.
The Battery Pack will not charge.	⇒ You did not insert the Battery Pack all the way into the Charger. Insert the Battery Pack until the Red LED Light illuminates. ⇒ The Charger Power Supply is not in a working outlet. Check the outlet with a lamp or other appliance. ⇒ Check to see if the outlet that you are using for the Charger Power Supply is controlled from a wall switch. ⇒ The surrounding air temperature is too hot or too cold. Move Charger and Battery Pack to a location where the surrounding air temperature is between 40°F (5°C) and +95°F (+35°C).
The Line will not feed.	⇒ The Line tangled in the Spool. Unwrap 24" of Line and rewind.
The Line fails to cut off.	⇒ Line Cutter in Safety Guard is damaged or missing. Visit our website at <a href="http://www.neutonpower.com">www.neutonpower.com</a> or call Neuton Inc. Toll Free at: <b>1-866-NEUTON1 (638-8661)</b> for assistance.
The Battery loses its charge quickly.	⇒ The Battery Pack was probably not at full charge prior to trimming. Charge the Battery Pack, if necessary. <b>NOTE:</b> You will need to charge a new Battery Pack at least five (5) times to achieve maximum trimming time. ⇒ The Battery Pack may be getting old. After some time, you will need to replace the Battery Pack.

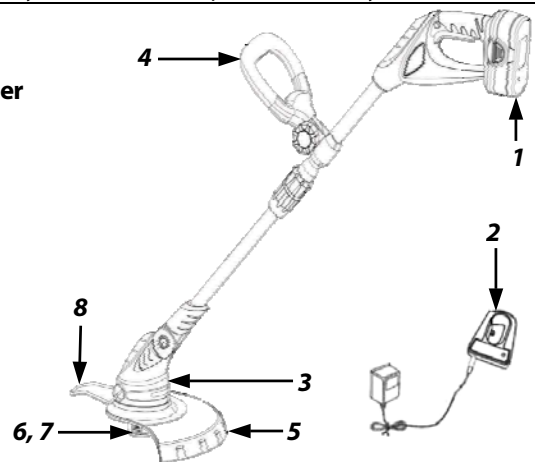
## Chapter 5: Parts List, Schematic Diagram, and Warranty

### Parts List & Schematic Diagram NEUTON Battery-Powered String Trimmer

**NOTE:** Part numbers listed are available through Neuton Inc.

Ref#	Part#	Description
1	262001	Battery Pack
2	262011	Battery Pack Charger
3	262171	Trimmer Motor Housing Assembly
4	262181	Auxiliary Handle Assembly
5	262191	Guard, Safety
6	262201	Spool Assembly
7	262211	Spool Cover
8	262221	Wire Edge Guide

081207



### 1-Year Limited Warranty Terms and Conditions

The NEUTON® Battery-Powered String Trimmer has a warranty for one (1) year against defects in materials or workmanship when put to personal residential household use. For the purposes of the warranty, "personal residential household use" refers to non-commercial residential use and further excludes misuse, accidents, or damage due to inadequate maintenance.

Neuton Inc. certifies that the NEUTON® Battery-Powered String Trimmer is fit for ordinary purposes for which a product of this type is used. Neuton Inc. however, limits the implied warranties of merchantability and fitness in duration to a period of one (1) year in personal residential household use.

The 1-Year Limited Warranty on the NEUTON® Battery-Powered String Trimmer starts on the date the tool shipped from our factory. The 1-Year Limited Warranty is applicable only to the original owner.

The owner is responsible for the performance of all the required maintenance as defined by the manufacturer's owner manual.

The owner is responsible for the replacement of normally wearing parts such as the Battery Pack, Safety Guard, Cutting Cord, and the Wire Edge Guide.

During the warranty period, the owner is responsible for all shipping and transportation charges, if required.

SOME STATES DO NOT ALLOW LIMITATIONS ON THE LENGTH OF IMPLIED WARRANTIES, SO THE ABOVE LIMITATIONS MAY NOT APPLY TO YOU. SOME STATES DO NOT ALLOW THE EXCLUSION OR LIMITATION OF INCIDENTAL OR CONSEQUENTIAL DAMAGES, SO THE ABOVE LIMITATIONS MAY NOT APPLY TO YOU.

Neuton Inc. shall not be liable under any circumstances for any **incidental or consequential damages or expenses** of any kind, including, but not limited to, cost of equipment rentals, or cost of hiring services to perform tasks normally performed by the NEUTON® Battery-Powered 22" Hedge Trimmer.

THIS WARRANTY GIVES YOU SPECIFIC LEGAL RIGHTS, AND YOU HAVE OTHER RIGHTS, WHICH VARY FROM STATE TO STATE.



**Notes:**

## Daily Checklist, Cleaning and Storing for your NEUTON Battery-Powered String Trimmer

To help maintain your NEUTON Trimmer for optimum performance, we recommend you follow this checklist each time you use your Trimmer.

### **WARNING!**

Do not insert the Battery Pack until you have completed all of the daily checks.

- [ ] **BATTERY PACK:** Make sure the Battery Pack has a full charge.
- [ ] **INSPECT:** Before inserting the Battery Pack, inspect for any visible damage to the Spool or Trimmer Motor Housing. Inspect the Safety Guard and remove any debris from the Trimmer.
- [ ] **NOISES:** If you notice anything unusual, such as a vibration or odd sound, shut the Trimmer OFF immediately. Remove the Battery Pack and check the Trimmer for any damage.  
If you cannot find the cause of the problem or are uncertain what to do, then have the Trimmer inspected by a qualified repair shop before using it or visit our website at [www.neutonpower.com](http://www.neutonpower.com).

### **CAUTION!**

- Remove the Battery Pack and allow the Trimmer to cool for at least five (5) minutes before servicing or storing.
- If you drop the Trimmer, carefully inspect it for damage. If the Safety Guard is broken, Housing cracked, or Handles broken or if you see any other condition that may affect the Trimmer's operation, visit our website at [www.neutonpower.com](http://www.neutonpower.com) or call Neuton Inc. Toll Free at **1-866-NEUTON1 (638-8661)** for assistance before putting it back into use.

## Cleaning the Trimmer

Use only mild soap and a damp cloth to clean the Trimmer. Never let any liquid get inside the Trimmer Housing and NEVER immerse any part of the Trimmer Housing into a liquid.

## Storing

- [ ] Always, store the Trimmer with a full Battery Pack charge.
- [ ] Do not store the Trimmer near chemicals, such as fertilizers, organic or other solvents. Do not expose brake fluids, gasoline, petroleum-based products, penetrating oils, etc., to the plastic parts of the Trimmer. These products are often highly corrosive and may cause permanent damage, weaken, or destroy the plastic to your Trimmer.
- [ ] When not in use, your NEUTON Battery-Powered String Trimmer should be stored indoors in a dry and high or locked-up place, out of reach of children.
- [ ] For superior Battery Pack performance, always store the Battery Pack in a **DRY** environment with temperatures between 40°F (5°C) and +95°F (+35°C). Make sure the storage temperatures will never be outside these limits. The lower the storage temperature is within the specified range, the better. The Battery Pack will discharge more slowly at low temperatures. Charge the Battery Pack for five (5) to six (6) hours prior to storage and then every one (1) to two (2) months; and then again prior to the first seasons use. To prevent permanent damage to the Battery Pack, never store it in a discharged condition. Be sure to remove the Battery Pack from the Charger after charging. Also, do not store the Battery Pack near children or pets or close to a source of heat, sparks, open flame or on the floor as it may be damp or subject to accidental flooding. In addition, never expose the Battery Pack to abnormal shaking or shocks. Regularly observe the external appearance of the Battery Pack. Never use a Battery Pack that shows cracks, changes shape, leaks, or is obviously damaged. You can safely keep the Battery Pack in the Trimmer when storing for the long term.

### *Copyrights and Trademarks*

©2009 Neuton Inc.  
NEUTON and NEUTON logo are trademarks of Neuton Inc.  
All rights reserved.

### *Documentation*

Produced in China exclusively for Neuton Inc.

## Neuton Inc.

**75 MEIGS ROAD, P.O. BOX 25, VERGENNES, VERMONT 05491**