



PRO-PST20 2 Inch Semi-Trash Pump Parts Manual

WARNING

Operating, servicing and maintaining this equipment can expose you to chemicals including engine exhaust, carbon monoxide, phthalates, and lead, which are known to the State of California to cause cancer and birth defects or other reproductive harm. To minimize exposure, avoid breathing exhaust, do not idle the engine except as necessary, service your equipment in a well-ventilated area and wear gloves or wash your hands frequently when servicing your equipment.

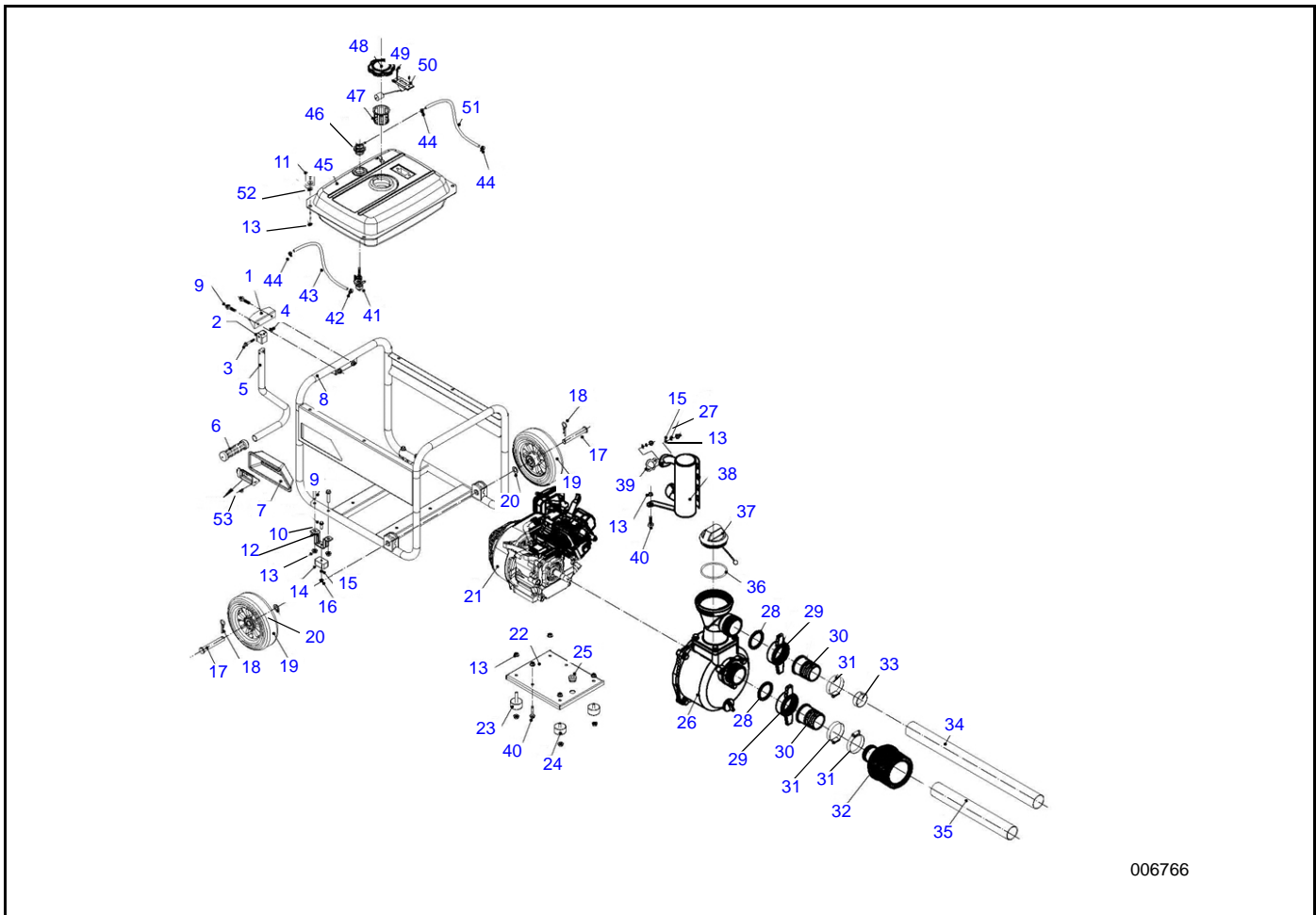
For more information go to
www.P65Warnings.ca.gov.

(000393)

The information in this manual is accurate based on products produced at the time of publication. The manufacturer reserves the right to make technical updates, corrections, and product revisions at any time without notice.

www.drpower.com or 1-855-447-3734

2" SEMI-TRASH PUMP

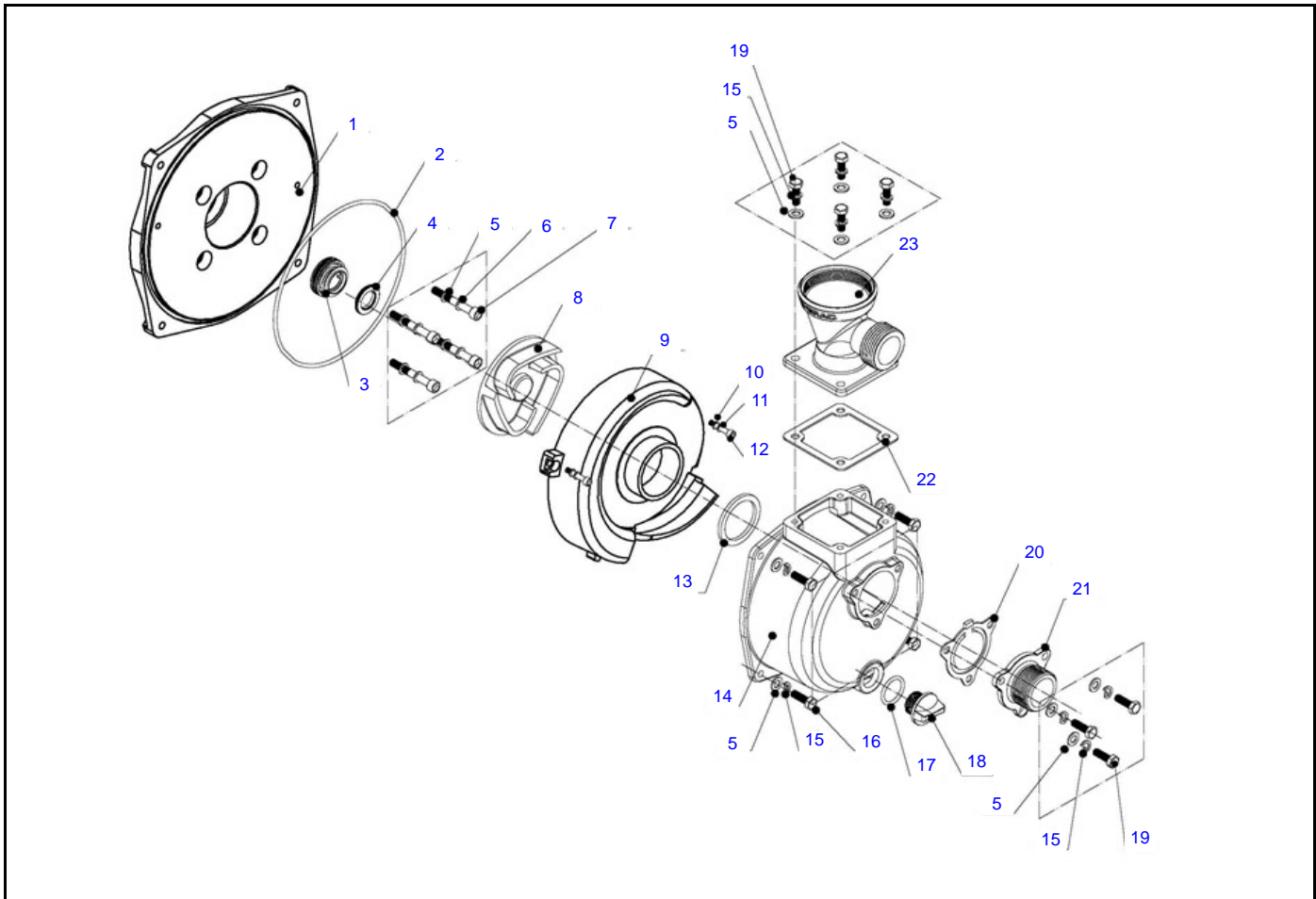


006766

ITEM	PART NO.	DESCRIPTION	QTY
1	10000031750	BRACKET HANDLE	1
2	0H33396	HANDLE CUSHION	1
3	0H33750245	BOLT (M6X40MM)	1
4	0H33750246	LOCKING NUT (M6)	1
5	10000031760	HANDLE	1
6	10000031717	HANDLE GRIP	1
7	0K9058	PLASTIC RECOIL POCKET	1
8	10000031723	FRAME FOR 2" WATER PUMP	1
9	0H33750248	FLANGE BOLT (M8X40MM)	6
10	0K33910123	FLANGE BOLT (M6X20)	6
11	0K33910126	FLANGE BOLT AND WASHER (M8X25MM)	1
12	0J66320ST03	FOOT BRACKET	2
13	0J08180243	FLANGE NUT (M8)	15
14	0J6633	FOOT	2
15	0J08180248	FLAT WASHER	6
16	0H33750171	FLANGE NUT (M6)	5
17	10000031754	AXLE FOR 2" WATER PUMP	2
18	0K95700113	6145 COTTER PIN	2

ITEM	PART NO.	DESCRIPTION	QTY
19	10000031718	8 INCH WHEEL	2
20	0K33910124	FLAT WASHER	2
21	10000022554	ENGINE FOR WATER PUMP	1
22	0K95700114	BASE ASSEMBLY OF 2.0" PUMP	1
23	0K95700116	SHOCK ABSORBER A	2
24	0K95700115	SHOCK ABSORBER B	2
25	0K95700117	PUMP BODY SHOCK ABSORBER	1
26	10000031719	PUMP	1
27	0J08180230	SPRING GASKET	14
28	0K95700132	SEALING RING	2
29	0K95700153	PIPE JOINT	2
30	0K95700134	JOINT GRIP	2
31	0K95700154	HOSE CLAMP	3
32	0K95700137	FILTER	1
33	0K95700139	2 INCH DISCHARGE FLANGE RUBBER RING (BLUE)	1
34	0K95700136	2 INCH SUCTION HOSE-12 FEET	1
35	0K95700138	2 INCH DISCHARGE HOSE-25 FEET	1
36	0K95700141	O-RING FOR PLUG-GENERAC-2INCH	1
37	10000022161	CAP FUNNEL	1
38	0K95700142	MUFFLER	1
39	0H3378	MUFFLER GASKET	1
40	0J08180244	FLANGE BOLT (M8X35MM)	1
41	0H3384	FUEL SHUT OFF VALVE	1
42	0J08180222	HOSE CLAMP	1
43	0J6626	FUEL HOSE 4.5MM IDX 8.5MM OD (EPA/CARB)	0.16
44	0H33750173	HOSE CLAMP	3
45	10000031724	FUEL TANK 11.5L	1
46	0K95700144	ROLL OVER VALVE	1
47	0K95700145	FUEL TANK SCREEN FILTER	1
48	0K95700152	FUEL CAP	1
49	0K95700147	SCREW (M5X14MM)	2
50	0K95700151	FUEL GAUGE	1
51	0K95700148	FUEL PIPE	0.55
52	0K95700149	FUEL TANK SHOCK ABSORBER	4
53	0K95700150	CROSS SELF TAPPING SCREW (ST4.2X15MM)	1

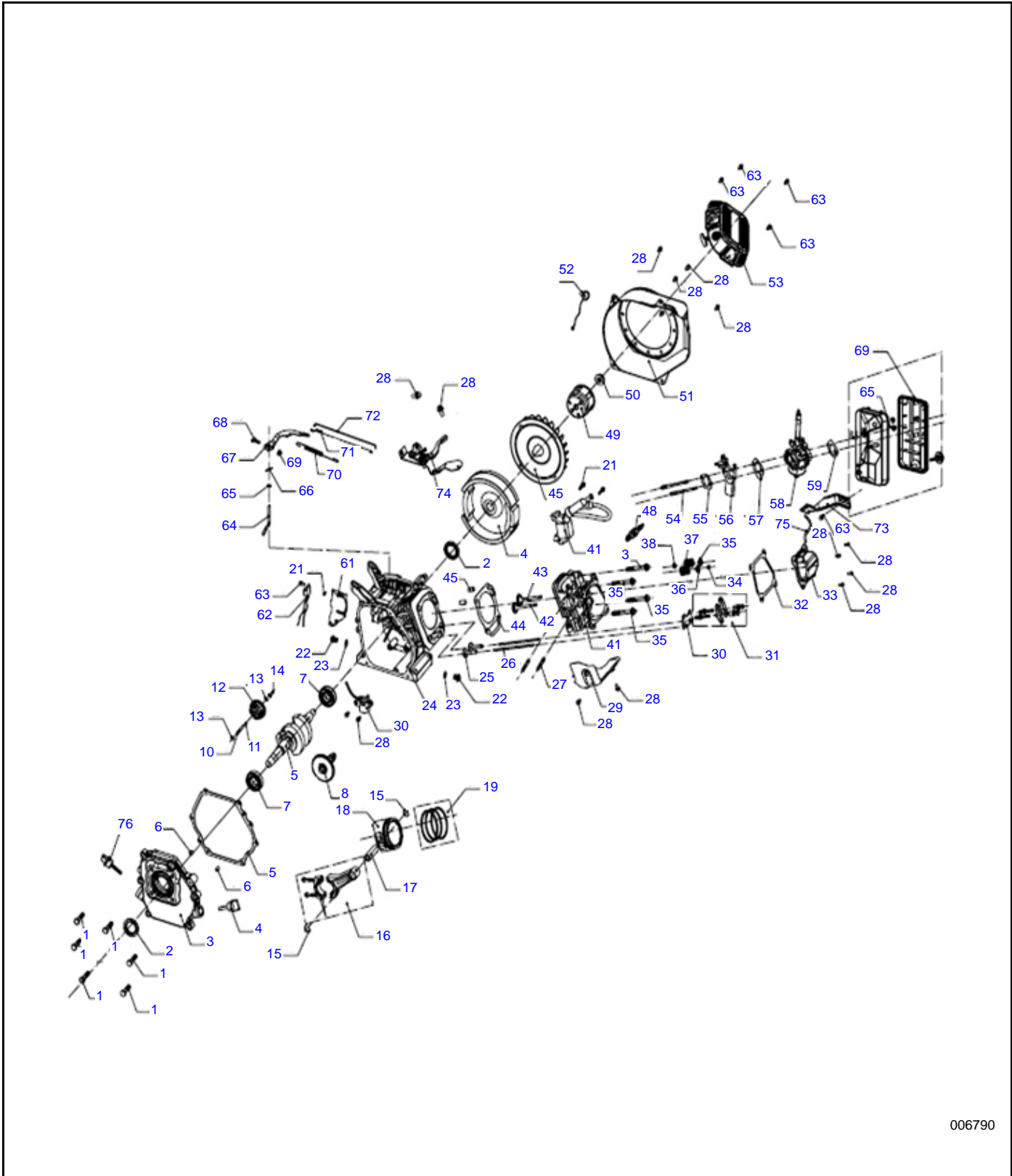
2" SEMI-TRASH PUMP ASSEMBLY



ITEM	PART NO.	DESCRIPTION	QTY
1	0L63360118	PUMP COVER	1
2	0K95700119	PUMP COVER O-RING	1
3	0L63360119	MECHANICAL SEAL (DYNAMIC)	1
4	0K95700121	MECHANICAL SEAL (DYNAMIC)	1
5	0J08180229	FLAT WASHER	15
6	0K95700122	RUBBER WASHER	4
7	0L63360114	INNER HEX BOLT (5/16"-24UNF X60)	4
8	0L63360115	2" IMPELLER (QT200)	1
9	0L63360116	2" VOLUTE	1
10	0J08180237	FLAT WASHER	2
11	0J08180238	SPRING WASHER	2
12	0L63360117	HEXAGON SOCKET CAP (M5X15)	2

ITEM	PART NO.	DESCRIPTION	QTY
13	0K95700126	2" VOLUTE O-RING	1
14	0K95700127	PUMP HOUSING	1
15	0J08180230	SPRING WASHER	11
16	0K95700128	BOLT (M8X30)	4
17	0K95700129	PLUG O-RING	2
18	0K95700130	PLUG	2
19	0K96270126	BOLT (M8X25)	7
20	0K95700131	FLAP VALVE	1
21	0K95700156	2" INTAKE VALVE SEAT	1
22	0K95700140	2" EASY PRIME DISCHARG FUNNEL GASKET	1
23	10000022133	2" EASY PRIME DISCHARGE FUNNEL	1

2" SEMI-TRASH ENGINE



006790

ITEM	PART NO.	DESCRIPTION	QTY
1	0H33750125	BOLT M8X33.5	6
2	0H33750112	OIL SEALING B2541	2
3	0K95520123	CRANKCASE COVER	1
4	0H33750120	OIL DIPSTICK	1
5	0J08180120	CRANKCASE GASKETS	1
6	0H33750124	PIN 8X14	2
7	0K95520124	BEARING 6205	2
8	N/A	CAM SHAFT	1
9	0K95520110	CRANKSHAFT	1
10	0H33750117	SPEED GOVERNING SHAFT	1
11	0H33750118	SNAP RING	1
12	0H33750279	SPEED GOVERNING GEAR	1
13	0H33750280	SPEED SWINGING ROD WASHER	2
14	0H33750281	SPOOL, GOVERNOR	1
15	N/A	PISTON PIN CIRCLIP	2
16	0H33750152	CONNECT ROD ASSY	1
17	0H33750151	PISTON PIN	1
18	N/A	PISTON	1
19	0K95520111	PISTON RING SET	1
20	N/A	LOW OIL SENSOR	1
21	0H33750167	BOLT M6X22	3
22	0H33750111	OIL DRAIN BOLT M10*15	2
23	0H33750111	OIL DRAIN BOLT GASKETS	2
24	0K95520112	CRANKCASE	1
25	0H33750142	VALVE TAPPET	2
26	0H33750143	VALVE LIFTER	2
27	0H33750136	STUDS M8X34	2
28	0H33750126	BOLT M6X12	16
29	0K95520113	SHROUD	1
30	0H33750130	PUSH GUIDE ASSY	1
31	0H33750129	VALVE ROCKET ASSY	2
32	0H33750128	CYLINDER HEAD COVER GASKET	1
33	0H33750127	CYLINDER HEAD COVER	1
34	0H33750131	CAP	1
35	0H33750133	INTAKE SPRING SEAT	1
36	0H33750132	EXHAUST SPRING SEAT	1
37	0H33750134	VALVE SPRING	2
38	0H33750146	OIL SEAL, PIPE	1
39	0H3375A123	BOLT M8X60	4
40	0J9480A110	SPARK PLUG	1
41	0K95520114	CYLINDER HEAD	1

ITEM	PART NO.	DESCRIPTION	QTY
42	0J08180132	OUTLET VALVE	1
43	0J08180133	INLET VALVE	1
44	0J5628H111	CYLINDER HEAD GASKETS	1
45	0H33750139	PIN10X16	2
46	10000032401	FLYWHEEL	1
47	0H33750156	FLYWHEEL FAN	1
48	0H33750168	IGNITION COIL	1
49	0L47960111	STARTING FLANGE	1
50	0H33750158	NUT M14x1.5	1
51	0K95520115	WIND HOOD	1
52	0K95520116	STARTING SWITCH	1
53	10000032378	RECOIL STARTER	1
54	0K95520118	STUDS M6X91	2
55	0H33750175	INLET GASKET	1
56	0H33750176	CARBURATOR CUSHION BLOCK	1
57	0H33750177	CARBURATOR GASKET	1
58	0K95520126	CARBURATOR	1
59	0H33750179	AIR CLEANER GASKET	1
60	0K68130110	AIR FILTER	1
61	0H33750163	SHROAD COMP.	1
62	0H33750283	SWITCH ASSY, OIL LEVEL	1
63	0H3375A124	BOLT M6X8	5
64	0H33750114	SHAFT, GOVERNOR ARM	1
65	0H33750115	WASHER	1
66	0H33750116	SPEED SWINGING ROD LOCK CLAMPS	1
67	0H33750185	SPEED GOVERNING ARM	1
68	0H33750184	LOCK BOLT	1
69	0H33750171	NUT M6	3
70	0H33750181	SPEED GOVERNING SPRING	1
71	0H33750182	THROTTLE RESET SPRING	1
72	0H33750183	SPEED GOVERNING PULL ROD	1
73	0K95520120	BRACKET, AIR FILTER	1
74	0K95520127	SPEED GOVERNOR CONTROL UNITS	1
75	0H33750172	BREATHING TUBE	1
76	0K95520122	OIL DIPSTICK (159C)	1

Part No.1000030216

Rev. A 02/27/2018

©2018 DR Power Equipment

All rights reserved

Specifications are subject to change without notice.

No reproduction allowed in any form without prior written consent from DR Power Equipment



75 Meigs Road
Post Office Box 25
Vergennes, Vermont 05491
1-855-447-3734
www.drpower.com