

DR® PRO-62V BLOWER

SAFETY & OPERATING INSTRUCTIONS



Serial No. _____

Order No. _____

DR® Power Equipment
Toll-free phone: 1-800-DR-OWNER (376-9637)
Fax: 1-802-877-1213
Website: www.DRpower.com

WARNING

Read and understand this manual and all instructions before operating the DR® PRO-62V BLOWER.

Table of Contents

Chapter 1: General Safety Rules.....	4
Chapter 2: Setting Up the DR® PRO-62V BLOWER.....	8
Chapter 3: Operating the DR® PRO-62V BLOWER.....	11
Chapter 4: Maintaining the DR® PRO-62V BLOWER.....	13
Chapter 5: Troubleshooting Your DR® PRO-62V BLOWER.....	14
Chapter 6: Parts Lists, Schematic Diagrams and Warranty.....	16

Conventions used in this manual

⚠ WARNING

This indicates a hazardous situation which, if not avoided, could result in death or serious injury.

⚠ CAUTION

This indicates a hazardous situation which, if not avoided, could result in minor or moderate injury.

NOTICE

This information is important in the proper use of your machine. Failure to follow this instruction could result in damage to your machine or property.

Serial Number and Order Number

A Serial Number is used to identify your machine and is located on the Serial Number Label on your machine (**Figure 1**). An Order Number is used to check and maintain your order history and is located on the upper left portion of your packing slip. For your convenience and easy reference, enter the Serial Number and Order Number in the space provided on the front cover of this manual.

Additional Information and Potential Changes

DR Power Equipment reserves the right to discontinue, change, and improve its products at any time without notice or obligation to the purchaser. The descriptions and specifications contained in this manual were in effect at printing. Equipment described within this manual may be optional. Some illustrations may not be applicable to your machine.



Figure 1

⚠ CAUTION

Use only the DR® 62V Charger with DR® 62V Batteries. Do not try to use the DR® 62V Charger with Batteries from other manufacturers.

Chapter 1: General Safety Rules

! WARNING

Read this safety & operating Instructions manual before you use the DR® PRO-62V BLOWER. Become familiar with the operation and service recommendations to ensure the best performance from your machine. If you have any questions or need assistance, please contact us at www.DRpower.com or call toll-free **1-800-DR-OWNER (376-9637)** and one of our Technical Support Representatives will be happy to help you.

Labels

Your DR® PRO-62V BLOWER carries prominent labels as reminders for its proper and safe use. Shown below are copies of all the Safety and Information labels that appear on the equipment. Take a moment to study them and make a note of their location on your DR® PRO-62V BLOWER as you set up and before you operate the unit. Replace damaged or missing safety and information labels immediately.



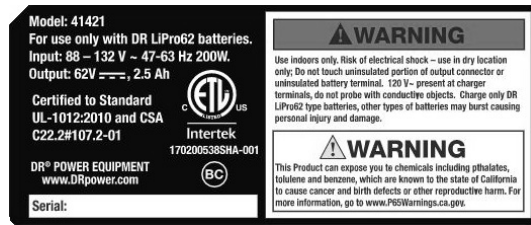
#41720 (Battery)



#41715 (Battery)



#41726 (Blower)



#41722 (Battery Charger)

Protecting Yourself and Those Around You

! WARNING

- Tragic accidents can occur if the operator is not alert to the presence of children. Children are often attracted to the Blower and the activity of blowing. Never assume that children will remain where you last saw them.
- Be sure the area is clear of other people before blowing. Never allow bystanders, or pets in your work area when operating the Blower. Stop the tool if anyone enters the area. Keep bystanders at least 20 feet away from the work area.
- Only allow responsible individuals who have a thorough understanding of these instructions to operate the Blower. Never allow children to operate the tool.
- Use extra care when approaching blind corners, shrubs, trees, or other objects that may obscure your vision.
- If you are ever unsure about an action you are about to take, please do not do it.

Dressing Appropriately

! WARNING

- Always wear protective goggles or safety glasses with side shields that are marked to comply with ANSI Z87.1 standard when using your DR® PRO-62V BLOWER to protect your eyes from possible thrown objects.
- Use a face or dust mask when operating in dusty conditions. Some dust created by blowing contains chemicals known to the State of California to cause cancer, birth defects, or other reproductive harm. Some examples of these chemicals are: Compounds in fertilizers, insecticides, herbicides, and pesticides, also arsenic and chromium from chemically treated lumber. To reduce your exposure to these chemicals, wear approved safety equipment such as dust masks specially designed to filter out microscopic particles.
- We recommend the use of ear protectors or earplugs rated for at least 20 DBA to protect your hearing.
- Wear shoes with non-slip treads when using the Blower. If you have safety shoes, wear them. Do not use the Blower while barefoot or wearing sandals with exposed toes or heels.
- Wear protective hair covering to contain long hair to protect you from pieces of toxic plants such as poison ivy.
- We recommend wearing long pants and rubber gloves while using this tool.

Preparing to Use Your Blower

WARNING

- Read, understand, and follow all instructions on the Blower and in this manual. Be thoroughly familiar with the control and the proper use of the Blower before starting.
- Thoroughly inspect the area where you will be using the Blower, and remove all stones, lawn toys, wire, bones, sticks, pet supplies, and any other foreign objects which could be thrown or pulled into the intake by the Blower.

Operating Your Blower Safely

WARNING

- Do not use your DR® PRO-62V BLOWER for any job other than the intended use. Never try to use an attachment not made specifically for the Blower.
- Avoid unintentional starting - do not carry the Blower with your finger on the ON/OFF Switch.
- Do not put any part of your body in the Blower air intake opening or Blower Tube exhaust opening.
- Never attempt to move rocks or sharp materials while operating the Blower unit.
- Remove the Battery Pack when inspecting, cleaning, clearing any material from the Blower Air Inlet.
- Do not operate the Blower in gaseous or explosive atmospheres. The Motor normally sparks, and the sparks might ignite fumes.
- Never operate the Blower without the proper Tube attached.
- Never use the Blower around fires, fireplaces, barbecue pits, ashtrays, etc.
- Never operate the Blower in the rain or wet conditions
- Never over reach and keep proper footing and balance at all times.
- Operate only in daylight or in an area well lit by artificial light.
- Watch out for traffic when operating near roadways.
- Stay alert and watch what you are doing. Do not operate the Blower when you are tired or under the influence of medication, drugs, or alcohol.

CAUTION

- If the Blower vibrates abnormally, stop the Motor, remove the Battery Pack, and inspect the tool for any damage. Check for alignment of moving parts, binding of moving parts, breakage of parts, mounting and any other condition that may affect its operation. Repair the damage before restarting and operating the Blower. NOTE: Excessive vibration is generally a sign of trouble.
- Do not operate the Blower if it does not start normally or stop normally with the Power Switch.

Handling the Battery Pack Safely

WARNING

- Always charge the Battery Pack indoors, never charge it the rain or in wet conditions.
- Use only the DR® 62V Charger with DR® 62V Battery Packs. Do not use the DR® 62V Charger with Battery Packs from other manufacturers or other DR® products. Use of a different Charger may cause a fire or explosion.
- Never attempt to alter or open the Battery Pack or Charger. There are no customer serviceable parts inside. Use normal household voltage (110 volts) when charging the Battery Pack. Plug the Charger Power Supply directly into the electrical outlet.
- Exercise care in handling the Battery Pack in order not to short-circuit it with conducting materials such as rings, bracelets, and keys. When short-circuited, the Battery Pack or conductor may overheat and cause burns.
- Electrolyte leakage from the Battery Pack can be harmful causing serious chemical burns if on the skin or in the eyes. Remove contaminated clothing and wash skin with soap and water. If electrolyte gets in your eyes, flush with cold water for at least 15 minutes and seek medical attention. Inhalation of vapors from a ruptured Battery Pack can cause respiratory irritation, provide fresh air, and seek medical attention.
- Never dispose of the Battery Pack in a fire, as the Battery Pack may explode. Never open or mutilate the Battery Pack; released materials are flammable. If fire or explosion occurs, do not breathe the fumes. A burning Battery Pack will create toxic fumes. Fire fighters should use self-contained breathing apparatus. The fire in the Battery Pack will need to burn out, but the fire can be kept from spreading. If possible, separate the Battery Pack from other flammable materials and use sand, copper powder or powdered graphite fire extinguishers, dry ground dolomite or soda ash to smother the fire.

Handling the Battery Pack Safely - continued

WARNING

- Do not ship damaged Battery Packs and be sure to use the original packaging materials when shipping Batteries and tools back to DR® Power Equipment if you decide you do not want them. Special labeling on the packaging is required because the Batteries are considered hazardous materials. Check with airlines before trying to check Lithium batteries with your baggage. New regulations are being considered that may restrict packaging and shipping of these Batteries as well as tools with Batteries installed.
 - Please dispose of your used Battery Packs responsibly by recycling them, never throw away used Battery Packs in your household trash. Call your local Solid Waste Management District or your local waste handler to locate the collection site nearest you. Some collection sites recycle Battery Packs year-round; others collect them periodically. You can also visit the Web site of Earth 911 for more information [www.earth911.org]. Once there, click the Municipal HHW link under Hazardous Household Waste, and enter your zip code. The site lists recycling centers located near you. You can also visit our website www.DRpower.com and click on “Customer Service” to find distribution centers across the country that will accept your Battery Pack for 100% recycling of the plastic and lithium. To learn more about hazardous waste recycling, visit the Web site for the Environmental Protection Agency [www.epa.gov].
-

California Proposition 65

WARNING

This Product can expose you to chemicals including phthalates, toluene and benzene, which are known to the state of California to cause cancer and birth defects or other reproductive harm. For more information, go to www.P65Warnings.ca.gov.

A Note to All Users

No list of warnings and cautions can be all-inclusive. If situations occur that are not covered by this manual, the operator must apply common sense and operate this DR® PRO-62V BLOWER in a safe manner. Contact us at www.DRpower.com or call 1-800-DR-OWNER (376-9637) for assistance.

Chapter 2: Setting Up the DR® PRO-62V BLOWER

It may be helpful to familiarize yourself with the controls and features of your DR® PRO-62V BLOWER as shown in **Figure 2** before beginning these procedures. If you have any questions at all, please feel free visit our website at www.DRpower.com or call DR Power Equipment Toll Free at: **1-800-DR-OWNER (376-9637)** for assistance.

DR® PRO-62V BLOWER Controls and Features

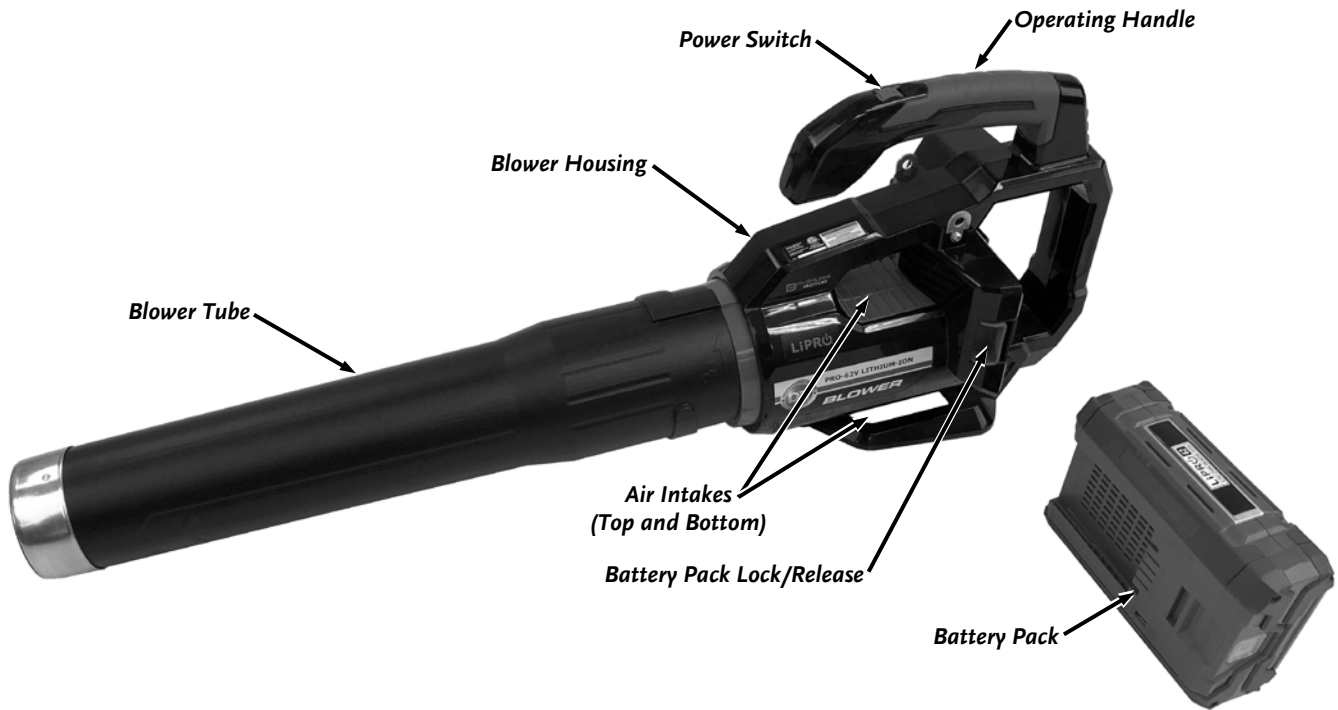


Figure 2

Specifications

Blower Model	DR® PRO-62V BLOWER, 41420
Motor	560W Brushless, Variable speed w/turbo boost & cruise control
Rated Voltage	54V DC, Max Voltage (Peak Voltage 62V)
Run Time	Up to 45 Min
CFM	250-530 cfm
Air Speed	45-98 MPH
Weight	6.0 lbs. Tool Only. 8.8 lbs. with 2.5AH Battery
41421 Battery Charger	
Input:	100~120VAC 50/60Hz MAX 3A
Output:	62VDC 2.5A
Charge Time	60 Min
41423 Li-ion Battery Pack	
Voltage per cell:	3.6V
Number of cells:	15
Battery pack voltage:	62V
Battery Power Level	LED Gauge
USB Port:	1
Battery pack capacity:	2.5Ah

Charge the Battery Pack before your first use

The DR Battery-Powered Blower uses a sealed, Lithium-Ion Battery Pack. You MUST charge the Battery Pack for at least 60 minutes before you use the Trimmer for the first time. If you do not charge it before using the Trimmer, the Battery Pack's charging capacity may decrease.

NOTICE

- Make sure the Charger Power Supply is plugged into a normal household voltage, 120volts, 60Hz, AC only.
- You should operate the Battery Charger in a dry place with temperatures between 50°F (10°C) and +100°F (+37.8°C). Operating above +100 °F can cause Battery Pack leakage, rust, or degradation of the Battery Pack performance.

Charging the Battery

1. Connect the charger to a 120VAC outlet. When the battery is not installed (no load condition): the red LED will be lit.
2. Insert the battery into the charger (**Figure 3**). Under normal charging, the Green LED will blink.
3. When the battery is fully charged, The Green LED will remain lit, indicating that charging is complete.
4. Unplug the charger from the outlet and remove the battery from the Charger.

Note: See detailed instructions for charging and maintaining the Battery/Charger in Chapter 4.



Figure 3

Installing Blower Tube

WARNING

To prevent accidental starting that could cause serious personal injury, always remove the Battery Pack from the Blower when assembling parts together.

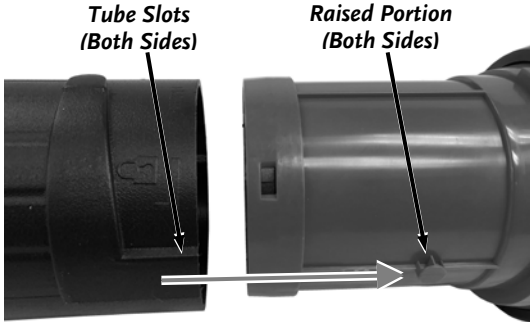


Figure 4

Note: No tools are required to install the Blower Tube on the blower.

1. Align the Blower Tube slots with the raised portion on the Blower Housing (Figure 4).
2. Slide the Blower Tube over the outlet on the Blower Housing until it is seated firmly against the flange base.
3. Rotate the Blower Tube 90° in the direction indicated to lock it in place (Figure 5). The raised tab on the top of the Housing will align with the raised portion on the Tube.
4. To remove the Blower Tube, reverse the process.



Figure 5

Installing Battery Pack

WARNING

To prevent accidental starting that could cause serious personal injury, always move the Power Switch button to the full off position before inserting the Battery Pack.



Figure 6

1. Slide the Battery Pack into the battery cradle on the Blower Housing, aligning the ribs in the cradle with the slots in the battery until it is latched into place (Figure 6).
2. Check that the Battery is securely locked into place.
3. To remove the battery press and hold the latch on the side of the Blower Housing and slide the battery away from the blower.

Note: You can check the charge of your 62V battery by pushing the indicator button on the front of the battery. The number of Green LED indicators will tell you the % of power left in the battery. 1=25%, 2=50%, 3=75% and 4=100%.

Chapter 3: Operating the DR® PRO-62V BLOWER

It may be helpful to better familiarize yourself with the features of your Grader by reviewing **Figure 2** in Chapter 2 before beginning the steps outlined in this chapter.

Starting the Blower

NOTICE

- Starting, stopping, and restarting an electric motor repeatedly within a few seconds can generate a great deal of heat and damage the motor. To protect the life of your DR® PRO-62V BLOWER always wait at least five (5) seconds after stopping before restarting the Blower.
- Avoid collisions with hard objects, which could damage the Blower Tube.

1. Perform the daily checks listed on the back cover of this manual.
2. While firmly grasping the Handle, rotate the Power Switch button past the MIN/OFF position (forward) (**Figure 7**). If the Blower does not start, make sure the Battery Pack is charged and locked firmly in the Blower Housing.
3. Rotating the Power Switch button further forward will accelerate the blower and pressing down on the Power Switch button will provide a short boost to the power.
4. To turn off, rotate the Power Switch backwards to the MIN position and past the detent/click.

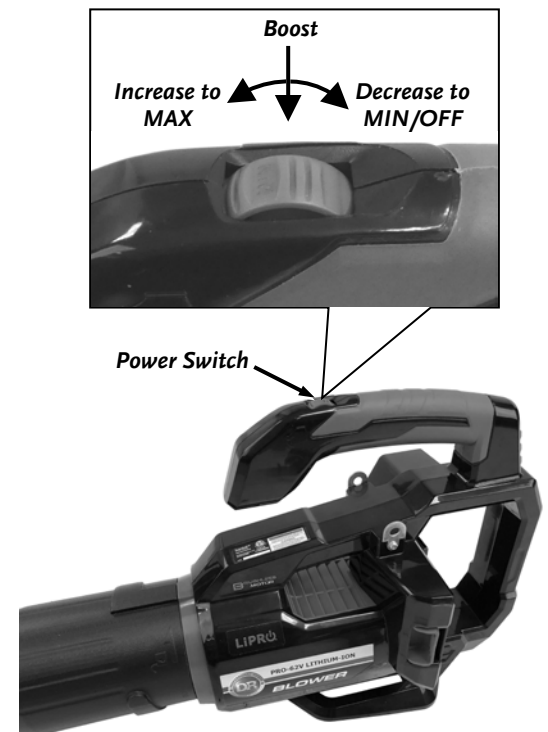


Figure 7

Using the Blower

! WARNING

Be careful where you point the jet of air from the Blower, as it could move heavy material and cause injury or damage to persons or property.

- Use your DR® PRO-62V BLOWER to clean out corners, fences, and walls, beneath cars or wooded areas.
- To keep from scattering debris, blow around the outer edges of a debris pile. Never blow directly into the center of the pile.
- To reduce sound levels, limit the number pieces of equipment used at one time.
- Use rakes and brooms to loosen debris before blowing. In dusty conditions, slightly dampen surfaces when water is available.
- Conserve water by using power blowers instead of hoses for many lawn and garden applications.
- Watch out for children, pets open windows, or freshly washed cars, and blow debris safely away.
- After using blowers or other equipment, CLEAN UP! Dispose of debris properly.



Battery Features

The Battery can be used to charge/operate phones or other electronic devices that use a USB cord.

1. Remove the Battery from the tool.
2. Plug the device into the USB Port of the Battery (**Figure 8**).

Figure 8

Chapter 4: Maintaining the DR® PRO-62V BLOWER

The Battery Pack should not leak, regardless of the position in which it is stored. Read “Handling the Battery Safely” in Chapter 1 for additional information. The Battery Pack is completely maintenance free. You never need to add water. With all rechargeable Batteries, after years of use, they will eventually need replacement.

CAUTION

Use only the DR® 62V Charger with DR® 62V Battery Packs. Do not try to use the DR® 62V Charger with Battery Packs from other manufacturers or other DR® products.

NOTICE

- Make sure the Charger Power Supply is plugged into a normal household voltage, 120volts, 60Hz, AC only.
- You should operate the Battery Charger in a dry place with temperatures between 50°F (10°C) and +100°F (+37.8°C). Operating above +100 °F can cause Battery Pack leakage, rust, or degradation of the Battery Pack performance.
- Disconnect Charger Power Supply from the household voltage power when not in use to prevent damage to the Charger during a power surge.
- Periodically inspect the Cord on the Charger unit for damage. If damage occurs, do not use the Charger until you have replaced or repaired the Cord. Do not abuse the Cord. Never carry the Charger by the Cord. Always pull the plug and not the Cord when disconnecting the Power Supply from the electrical outlet (wall outlet) and from the Charger. When using an extension Cord with your Charger, use a heavy-duty extension Cord of a type 'suitable for outdoor use' (although you should never charge the Battery Pack in the open outdoors).
- The Battery Pack requires 2-3 charging and discharging cycles before reaching full charge ability.
- A Battery Pack may last much longer if you charge it as soon as it starts to lose power and not let it completely discharge. Recharge the Battery Pack as soon as the trimming power of your DR Hedge Trimmer is no longer effective. This would be a good time to have a spare Battery Pack ready to go. Recharge the Battery Pack for up to 75 minutes or until fully charged and remove it from the Charger.
- A good time to consider purchasing a replacement Battery Pack is when it loses its power quickly.

Battery LED Lights

Check the charge percentage of your 62V Battery by pushing the Indicator Button on the front of the Battery (**Figure 9**). The number of Green LED indicators will tell you the % of power left in the battery. 1-25%, 2-50%, 3-75% and 4-100%.

If you press the Indicator Button and only the fourth LED flashes, the Battery needs charging.

Charger indicator Lights (Figure 10)

Red LED Lit, green LED is not lit; The Charger is plugged in but the battery is not installed (no load condition).

Green LED blinks, red LED is not lit; Battery is charging normally.

The green LED is on, red LED is not lit; Battery is fully charged.

Green LED is not lit, red LED blinks; There is a fault with the battery or charger. Remove the Battery from the charger and wait about 30 minutes, then reinsert the Battery into the Charger.

- If the Battery does not hold its charge for very long under normal conditions or it simply won't hold a charge, then replace it. You can purchase a replacement Battery directly from us at www.DRpower.com.

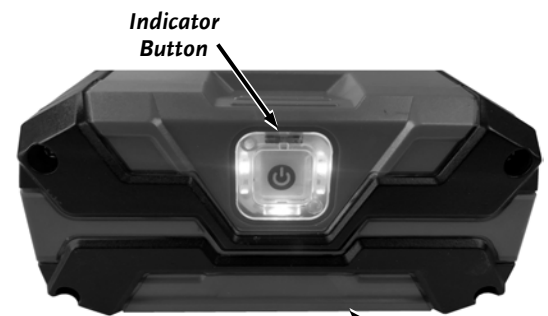


Figure 9

Battery



Figure 10

Charger

Recycling a Used Battery

NOTICE

Please dispose of used batteries responsibly, according to your local hazardous materials regulations. Never throw away used batteries in your household trash.

Please dispose of your used Batteries responsibly by recycling them. Call your local Solid Waste Management District or your local waste handler to locate the collection site nearest you. Some collection sites recycle Batteries year-round; others collect them periodically.

You can also visit the Website of Earth 911 for more information (www.earth911.org). Once there, click Recycle Guide at the top of the page, then click the Municipal HHW link under Hazardous Household Waste, and enter your zip code. The site lists recycling centers located near you.

For a fee, you can recycle your Batteries with the International Metals Reclamation Company. Visit them at www.inmetco.com and click Services, then click Battery Recycling; or contact them at: INMETCO, One INMETCO Drive, Ellwood City, PA 16117, (724) 758-5515; fax (724) 758-2845.

To learn more about hazardous waste recycling, visit the Website for Battery Council International (www.batterycouncil.org) or for the Environmental Protection Agency (www.epa.gov).

Chapter 5: Troubleshooting Your DR® PRO-62V BLOWER

Troubleshooting Tips

Most difficulties are easy to fix. Consult the Troubleshooting Table on page 7 for common problems and their solutions. If you continue to experience problems or need repairs beyond these minor adjustments, visit our website at www.DRpower.com or call DR Power Equipment Toll Free at: **1-800-DR-OWNER (376-9637)** for assistance.

WARNING

Always remove the Battery Pack before performing any adjustments, maintenance, or repairs to your Blower.

Troubleshooting Table

PROBLEM	CORRECTIVE ACTION
<i>The Blower Motor fails to start.</i>	⇒ Check that you installed the Battery Pack correctly and that the Battery Pack is fully charged.
<i>The Battery Pack will not charge.</i>	⇒ Check to see if the Battery Pack is all the way into the Charger. Insert the Battery Pack until the GREEN LED Light illuminates. ⇒ The Charger Power Supply is not in a working outlet. Check the outlet with a lamp or other appliance. ⇒ Check to see if the outlet that you are using for the Charger Power Supply is controlled from a wall switch. ⇒ The surrounding air temperature is too hot or too cold. Move Charger and Battery Pack to a location where the surrounding air temperature is between 32°F (0°C) and +80°F (+26.7°C).
<i>The Blower runs, but the air speed is low.</i>	⇒ The Battery Pack was probably not at full charge prior to blowing. Charge the Battery Pack, if necessary. ⇒ Air intake port(s) plugged or partially blocked, clean out debris.
<i>The Battery loses its charge quickly.</i>	⇒ The Battery Pack was probably not at full charge prior to blowing. Charge the Battery Pack, if necessary. NOTE: You will need to charge a new Battery Pack 2-3 times to achieve maximum blowing time. ⇒ The Battery Pack may be getting old. After some time, you will need to replace the Battery Pack.

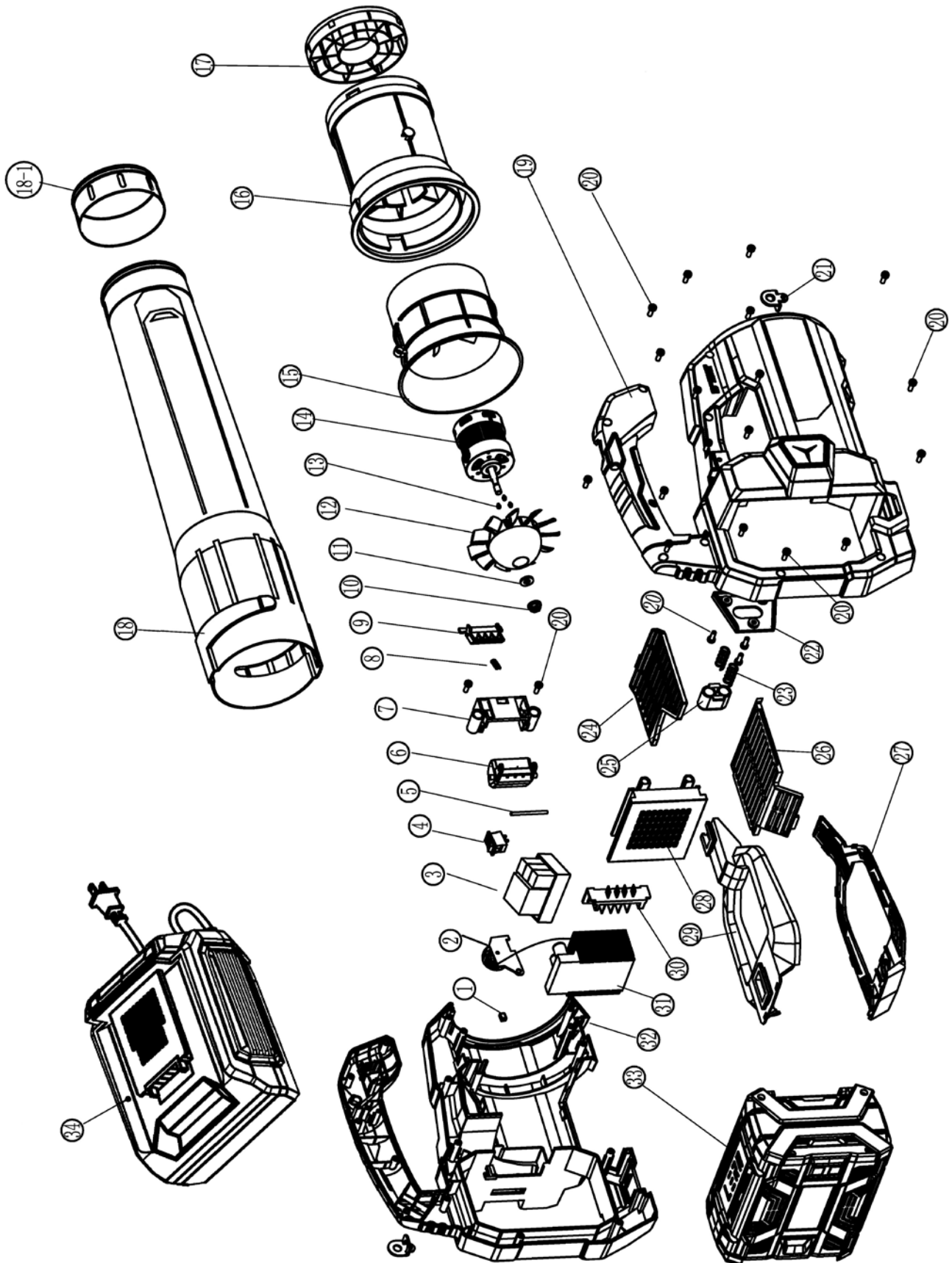
Chapter 6: Parts Lists, Schematic Diagrams and Warranty

Parts List – DR® PRO-62V BLOWER

NOTE: Part numbers listed are available through DR Power Equipment.

<u>Ref#</u>	<u>Part#</u>	<u>Description</u>	<u>Ref#</u>	<u>Part#</u>	<u>Description</u>
1	41781	Speed-Control Board Pressing Plate	18-1	41814	Air Flow Tube Sleeve
2	41782	Rotating Potentiometer	19	41799	Right Side Cover
3	41783	Electric Relay	20	41800	Self-Tapping Screw
4	41784	Ship-Type Switch	21	41801	Hook
5	41785	Shaft	22	41802	Dam-Board
6	41786	Battery Self-Lock Button	23	41803	Battery Pop-Up Spring
7	41787	Battery Self-Lock Button Base	24	41804	Front Air Inlet
8	41788	Battery Lock Spring	25	41805	Battery Pop-Up Button
9	41789	Battery Self-Lock Button Clip	26	41806	Bottom Air Inlet
10	41790	Hexagon Check Nut	27	41807	Bottom Plate
11	41791	Flat Washer	28	41808	Battery Socket
12	41792	Fan, (With Inserts)	29	41809	Base
13	41793	Triple Combination Screw	30	41810	Plug Set
14	41794	Brushless Motor	31	41811	Controller
15	41795	Air Inlet Tube	32	41812	Left Side Cover
16	41796	Top Air Tube	33	41423	2.5 AH Battery
17	41797	Air Outlet Housing	34	41421	2.5 AH Charger
18	41798	Air Flow Tube Set			

Schematic – DR® PRO-62V BLOWER



Notes:

DR[®] PRO-62V BLOWER



2-Year Limited Warranty

Terms and Conditions

The DR[®] PRO-62V BLOWER is warranted for two (2) years (except for the Battery, which carries a one (1) year warranty) against defects in materials or workmanship when put to ordinary and normal personal residential use.

For the purposes of all the above warranties, "ordinary and normal personal residential use" refers to non-commercial residential use and further excludes misuse, accidents or damage due to inadequate maintenance.

DR Power Equipment certifies that the DR[®] PRO-62V BLOWER is fit for ordinary purposes for which a product of this type is used. DR Power Equipment however, limits the implied warranties of merchantability and fitness in duration to a period of two (2) years in personal residential household use.

The 2-Year Limited Warranty on the DR[®] PRO-62V BLOWER starts on the date the machine ships from our factory. The 2-Year Limited Warranty is applicable only to the original owner.

The warranty holder is responsible for the performance of all the required maintenance as defined by the manufacturer's owner's manuals.

The warranty holder is responsible for replacement of normally wearing parts such as the Battery.

During the warranty period, the warranty holder is responsible for the machine transportation charges, if required. During the warranty period, warranty parts will be shipped by standard method at no charge to the warranty holder. Expedited shipping of warranty parts is the responsibility of the warranty holder.

SOME STATES DO NOT ALLOW LIMITATIONS ON THE LENGTH OF IMPLIED WARRANTIES, SO THE ABOVE LIMITATIONS MAY NOT APPLY TO YOU.

DR Power Equipment shall not be liable under any circumstances for any **incidental or consequential damages or expenses** of any kind, including, but not limited to, cost of equipment rentals, loss of profit, or cost of hiring services to perform tasks normally performed by the DR[®] PRO-62V BLOWER.

SOME STATES DO NOT ALLOW THE EXCLUSION OR LIMITATION OF INCIDENTAL OR CONSEQUENTIAL DAMAGES, SO THE ABOVE LIMITATIONS MAY NOT APPLY TO YOU.

THIS WARRANTY GIVES YOU SPECIFIC LEGAL RIGHTS, AND YOU ALSO HAVE OTHER RIGHTS, WHICH VARY FROM STATE TO STATE.

Daily Checklist, Cleaning and Storing for your DR® PRO-62V BLOWER

To help maintain your DR® PRO-62V BLOWER for optimum performance, we recommend you follow this checklist each time you use your Blower.

WARNING

Do not insert the Battery Pack until you have completed all of the daily checks.

- [] BATTERY PACK: Make sure the Battery Pack has a full charge.
- [] INSPECT: Before inserting the Battery Pack, inspect for any visible damage to the Blower Tubes or Motor Housing. Inspect the air intake and clean it to remove any debris.
Make sure the Power Switch is in the OFF position (rearward past detent/click)
- [] NOISES: If you notice anything unusual, such as a vibration or an odd sound, shut the Blower OFF immediately. Remove the Battery Pack and check the Blower for any obstructions.
If you cannot find the cause of the problem or are uncertain what to do, then have the Blower inspected by a qualified repair shop before using it or visit our website at www.DRpower.com.

CAUTION

- Remove the Battery Pack and allow the Blower to cool for at least five (5) minutes before servicing or storing.
- If you drop the Blower, carefully inspect it for damage. If the Battery is damaged, Blower Tube is broken, Housing cracked, or Handle broken or if you see any other condition that may affect the Blower's operation, visit our website at www.DRpower.com or call DR Power Equipment Toll Free at: **1-800-DR-OWNER (376-9637)** for assistance before putting it back into use.

Cleaning the Blower

Use only mild soap and a damp cloth to clean the Blower. Never let any liquid get inside the Blower Housing and NEVER immerse any part of the Blower Housing into a liquid

Storing

- [] Always store the Blower with a full Battery Pack charge.
- [] Do not store the Blower near chemicals, such as fertilizers, organic or other solvents. Do not expose brake fluids, gasoline, petroleum-based products, penetrating oils, etc., to the plastic parts of the Blower. These products are often highly corrosive and may cause permanent damage, weaken, or destroy the plastic to your Blower.
- [] When not in use, your DR Battery-Powered Blower should be stored indoors in a dry and high or locked-up place, out of reach of children.
- [] For superior Battery Pack performance, always store the Battery Pack and Charger in a DRY environment with temperatures between 32°F (0°C) and +80°F (+26.7°C). Storing above +80 °F can cause Battery Pack leakage, rust, or degradation of the Battery Pack performance. The lower the storage temperature is within the specified range, the better. The Battery Pack will discharge more slowly at low temperatures. Charge the Battery Pack until fully charged (all four LEDs GREEN and not blinking), prior to storage and then every one (1) to two (2) months; and then again prior to the first seasons use. To prevent permanent damage to the Battery Pack, never store it in a discharged condition. Be sure to remove the Battery Pack from the Charger after charging. In addition, you can safely keep the Battery Pack in your tool when storing for the long term.

WARNING

Do not store the Battery Pack near children or pets, with metal objects that could short circuit the terminals, or close to a source of heat, sparks, open flame or on the floor as it may be damp or subject to accidental flooding. In addition, never expose the Battery Pack to abnormal shaking or shocks. Regularly observe the external appearance of the Battery Pack. Never use a Battery Pack that shows cracks, changes shape, or obviously damaged.



75 MEIGS ROAD, P.O. BOX 25, VERGENNES, VERMONT 05491