

DR® 60" 3PT BOX BLADE

SAFETY & OPERATING INSTRUCTIONS



Serial No. _____

Order No. _____

DR Power Equipment
Toll-free phone: 1-800-DR-OWNER (376-9637)
Fax: 1-802-877-1213
Website: www.DRpower.com

WARNING

Read and understand this manual and all instructions before operating the DR 60" 3PT BOX BLADE.

Table of Contents

Chapter 1: General Safety Rules..... 3

Chapter 2: Setting Up the DR 60" 3PT BOX BLADE 6

Chapter 3: Operating the DR 60" 3PT BOX BLADE 10

Chapter 4: Maintaining the DR 60" 3PT BOX BLADE..... 13

Chapter 5: Troubleshooting 14

Chapter 6: Parts Lists, Schematic Diagrams and Warranty..... 16

Conventions used in this manual

⚠ WARNING

This indicates a hazardous situation which, if not avoided, could result in death or serious injury.

⚠ CAUTION

This indicates a hazardous situation which, if not avoided, could result in minor or moderate injury.

NOTICE

This information is important in the proper use of your machine. Failure to follow this instruction could result in damage to your machine or property.

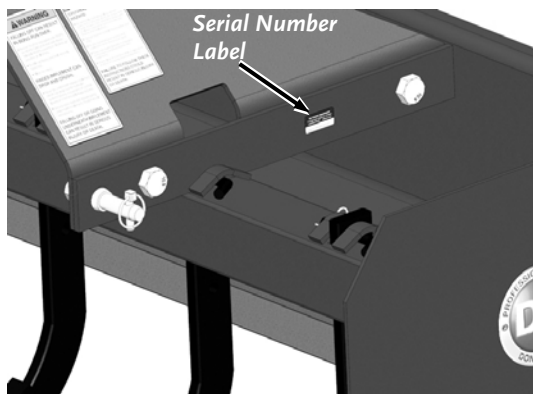


Figure 1

Serial Number and Order Number

A Serial Number is used to identify your machine and is located on the Serial Number Label on your machine (**Figure 1**). An Order Number is used to check and maintain your order history and is located on the upper left portion of your packing slip. For your convenience and ready reference, enter the Serial Number and Order Number in the space provided on the front cover of this manual.

Additional Information and Potential Changes

DR Power Equipment reserves the right to discontinue, change, and improve its products at any time without notice or obligation to the purchaser. The descriptions and specifications contained in this manual were in effect at printing. Equipment described within this manual may be optional. Some illustrations may not be applicable to your machine.

Chapter 1: General Safety Rules

WARNING

Read this safety & operating Instructions manual before you use the DR 3PT BOX BLADE. Become familiar with the operation and service recommendations to ensure the best performance from your machine. If you have any questions or need assistance, please contact us at www.DRpower.com or call toll-free 1-800-DR-OWNER (376-9637) and one of our Technical Support Representatives will be happy to help you.

Labels

Your DR 60"3PT BOX BLADE carries prominent labels as reminders for its proper and safe use. Shown below are copies of all the Safety and Information labels that appear on the equipment. Take a moment to study them and make a note of their location on your 3PT BOX BLADE as you set up and before you operate the unit. Replace damaged or missing safety and information labels immediately.

WARNING

FALLING OFF CAN RESULT IN BEING RUN OVER.

- Tractor must be equipped with ROPS (or ROPS CAB) and seat belt. Keep foldable ROPS systems in "locked up" position at all times.
- Buckle up! Keep seat belt securely fastened.
- Allow no riders.

RAISED IMPLEMENT CAN DROP AND CRUSH.

- Never go underneath raised implement which can drop due to hydraulic system failures, movement of control levers or mechanical linkage failures.
- Service work does not require going underneath implement. Read manual instructions.

FALLING OFF OR GOING UNDERNEATH IMPLEMENT CAN RESULT IN SERIOUS INJURY OR DEATH.

397221

#39722

WARNING

CRUSHING AND PINCHING HAZARD

- Be extremely careful handling various parts of the machine. They are heavy and hands, fingers, feet, and other body parts could be crushed or pinched between tractor and implement.
- Operate tractor controls from tractor seat only.
- Do not stand between tractor and implement when tractor is in gear.
- Make sure parking brake is engaged before going between tractor and implement.
- Stand clear of machine while in operation or when it is being raised or lowered.

FAILURE TO FOLLOW THESE INSTRUCTIONS COULD RESULT IN SERIOUS INJURY OR DEATH.

397231

#39723

CAUTION

TO AVOID SERIOUS INJURY:

- Read Operator's Manual before operating, servicing, or repairing equipment. Follow all safety rules and instructions. (Manuals are available from your selling dealer.)
- Never allow riders.
- Keep bystanders away from equipment during operation.
- Operate from tractor seat only.
- Keep all shields in place and in good condition.
- Lower equipment to ground, stop engine, remove key, and set brake before dismounting tractor.
- Never allow children or untrained persons to operate equipment.

397241

#39724

Protecting Yourself and Those Around You

WARNING

Always take the following precautions when operating this BOX BLADE:

- Always wear protective goggles or safety glasses with side shields while using the DR 3PT BOX BLADE to protect your eyes from possible thrown debris.
 - Wear shoes with non-slip treads when using your DR 3PT BOX BLADE. If you have safety shoes, we recommend wearing them. Do not use the DR 3PT BOX BLADE while barefoot or wearing open sandals.
 - Wear Gloves to protect your hands from injury.
 - Use ear protectors or ear plugs rated for at least 20 dB to protect your hearing from Tractor noise.
-

Operating the DR 60" 3PT BOX BLADE Safely

WARNING

You must operate the 3PT BOX BLADE safely. Unsafe operation can create a number of hazards for you. Always take the following precautions when using this Box Blade:

- Read, understand, and follow all instructions in this manual. Be thoroughly familiar with the controls and the proper use of your DR 3PT BOX BLADE before using.
 - Thoroughly inspect the area where your DR 3PT BOX BLADE will be used, and remove all stones, sticks, wire, pet supplies, or lawn toys, and any other foreign objects that you could run over. Also, note the location of stumps, and other possible hazards that you should avoid during operation.
 - Watch for traffic when operating in or near roadways. Pay extra attention when operating near public roadways.
 - When operating in a roadway, we suggest that you put out obstructions (marker cones or pails) to divert any traffic away from your work area.
 - Be aware of your surroundings when operating the DR 3PT BOX BLADE, e.g. ditches, culverts, drop-offs, and hills.
 - Never allow people who are unfamiliar with these instructions to use the DR 3PT BOX BLADE.
 - To be safe, do not operate the grader near small children or pets, and never allow children to operate the 3PT BOX BLADE.
 - Stop the work when another person or pet approaches.
 - Do not allow people to ride on the DR 3PT BOX BLADE.
 - If you have to stop to remove any debris from the DR 3PT BOX BLADE, always lower the lift arms, shut off the Tractors engine and set the parking brake.
 - Do not, under any conditions, remove, bend, cut, weld, or otherwise alter standard parts on the DR 3PT BOX BLADE. Modifications to your machine could cause personal injuries and will void your warranty.
 - While using the DR 3PT BOX BLADE, don't hurry or take things for granted.
 - Do not operate the DR 3PT BOX BLADE when under the influence of alcohol or medication.
 - Use the DR 3PT BOX BLADE only in daylight or good artificial light.
 - For safest operation and to prevent serious injury or death, use a Tractor equipped with a Roll-Over Protective System (ROPS). If using a Tractor with a foldable ROPS, always keep it in the "Locked" position.
 - To prevent serious injury or death when using the DR 3PT BOX BLADE a minimum 20% of the combined tractor and equipment weight must be kept on the front wheels. Weight distribution can be obtained with the use of front wheel weights, front tractor weights. Do not exceed the Tractors ROPS weight certification while attaining the combined minimum 20% of tractor and equipment weight on the front wheel. For the best accurate results, weigh your Tractor and DR 3PT BOX BLADE.
 - When operating on or near slopes or sharp dips, reduce speed and take care when making sharp turns or changing directions to minimize loss of control or tipping. Avoid making sudden stops or starts on slopes
-

Operating the DR 60" 3PT BOX BLADE Safely (continued)

⚠ CAUTION

The DR 3PT BOX BLADE must be operated safely to prevent or minimize the risk of minor or moderate injury. Unsafe operation can create a number of hazards for you. Always take the following precautions when operating this 3PT BOX BLADE:

- Keep in mind that the operator or user is responsible for accidents or hazards occurring to other people, their property, and themselves.
 - Do not use the DR 3PT BOX BLADE to drag, tow, or carry items.
 - Never leave the DR 3PT BOX BLADE unattended. If you leave the area, shut off the tow vehicle, and remove the key.
 - Keep all nuts and bolts tight and keep the equipment and attachments in good operating condition.
Use only manufacturer-recommended replacement parts.
 - Do not use the DR 3PT BOX BLADE in a manner not in accordance with these instructions.
 - To prevent loss of control and injury during operation avoid excessive speed
 - To prevent damage when using the DR 3PT BOX BLADE, always take small “bites” of material. This will limit the load and stress on the equipment.
 - Some Items may be heavy, always use two people when assembling, moving or handling the DR 3PT BOX BLADE.
-

Safety for Children and Pets

⚠ WARNING

Tragic accidents can occur if the operator is not alert to the presence of children and pets. Children and pets are often attracted to the Tractor activity. **Never** assume that children or pets will remain where you last saw them.

- Keep children out of the working area and under the watchful care of a responsible adult.
 - Be alert, stop and turn the tow vehicle off if children or pets enter the work area.
 - Never allow children to operate the DR 3PT BOX BLADE.
 - Never allow children or pets to ride on the tow vehicle or the DR 3PT BOX BLADE.
-

California Proposition 65

⚠ WARNING

California Proposition 65:

- This product contains or emits chemicals known to the State of California to cause cancer, birth defects, and other reproductive harm.
-

A Note to All Users

No list of warnings and cautions can be all-inclusive. If situations occur that are not covered by this manual, the operator must apply common sense and operate this DR 60" 3PT BOX BLADE in a safe manner. Contact us at www.DRpower.com or call 1-800-DR-OWNER (376-9637) for assistance.

Chapter 2: Setting Up the DR 60" 3PT BOX BLADE

It may be helpful to familiarize yourself with the controls and features of your DR 60" 3PT BOX BLADE as shown in **Figure 2** before beginning these procedures. If you have any questions at all, please feel free to contact us at www.DRpower.com.

DR 60" 3PT BOX BLADE Controls and Features

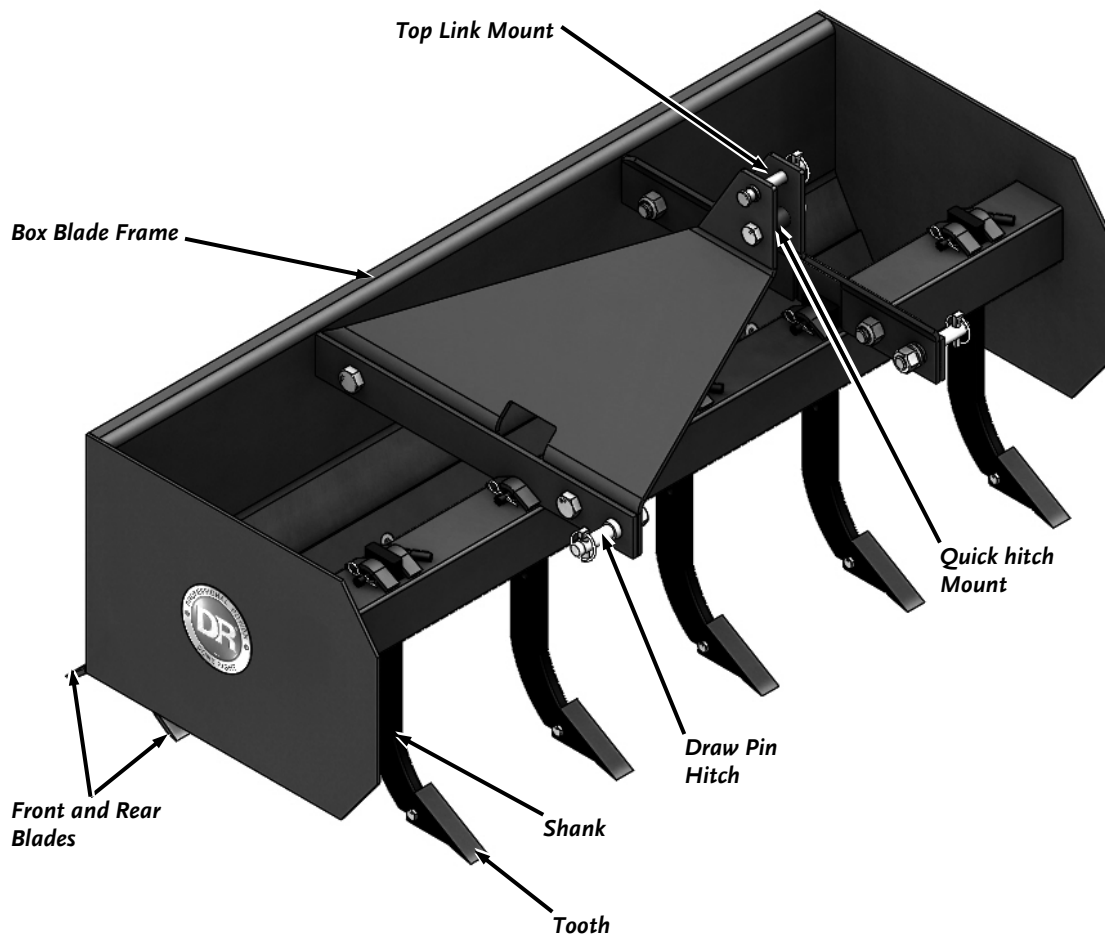


Figure 2

Specifications

Tractor Requirements	20-45 HP Category 1 Tractor
3-Point Hitch Linkage Specs	Category 1 Hitch
Operating Speed	Max Towing Speed - Low Gear 5 MPH
Working Width	60"
Number Of Scarifiers	5
Scarifier Depth	4"
Box Capacity	12 Cu Ft
Tail Gate Type	Fixed
3PT Quick Hitch Compatible	Yes
Machine Weight	409 LBS
Machine Dimensions	29.6" L x 60.4" W x 35.2" H

Main Parts (Figure 3 and Table below)

Item#	Description	Qty
1	Box Blade Frame	1
2	Hitch Plate, Right	1
3	Hitch Plate, Left	1
4	Hardware Bag	1

Use **Figure 3** and the list above to check the parts you received in the package. If you have any questions, please contact us at www.DRpower.com or call 1-800-DR-OWNER (376-9637) for assistance

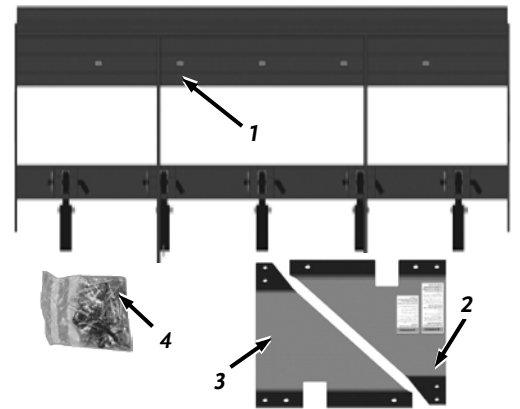


Figure 3

Hardware Bag (Figure 4 and Table below)

Item#	Part#	Description	Qty
1	40034	Pin, Top Link, PTO Class 1	1
2	39416	Spacer	1
3	39375	Nut, M20 X 2.5	1
4	26568	Shim, 1"ID X 1.38"OD X .16"T	2
5	32379	Washer, Lock, 7/8", YZP	2
6	32380	Nut, Hex, 7/8"-9, YZP	2
7	32396	Pin, Linch, 7/16" X 1.5", YZP	3
8	32378	Pin, Draw, PTO Class 1	2
9	39411	Nut, M24 X 3	4
10	39374	Bolt, M20 X 2.5 X 100mm	1
11	39410	Bolt, M24 X 3 X 50mm	4

Use **Figure 4** and the list above to check the parts you received in the package. If you have any questions, please contact us at www.DRpower.com or call 1-800-DR-OWNER (376-9637) for assistance

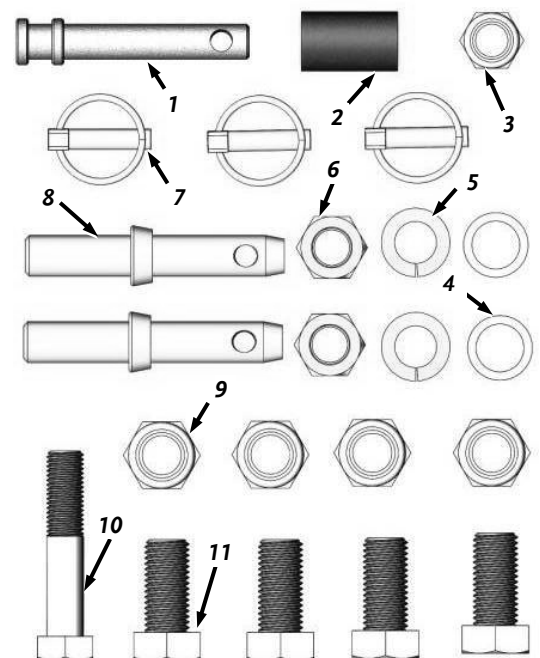


Figure 4

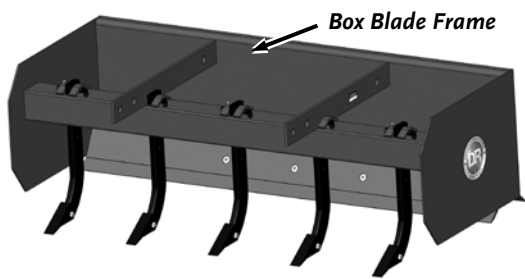


Figure 5

Assembly

Tools Needed:

- Two 36mm Wrenches Or Large Adjustable Wrenches
- #3 Phillips Head Screwdriver or 5/16" punch

! CAUTION

The Blade Assembly and Frame are heavy. Have a helper assist you when positioning these parts to avoid injury.

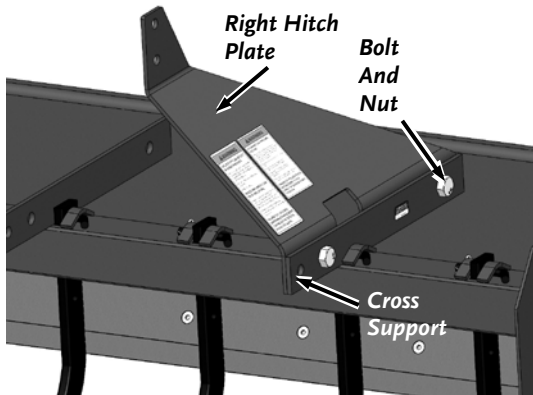


Figure 6

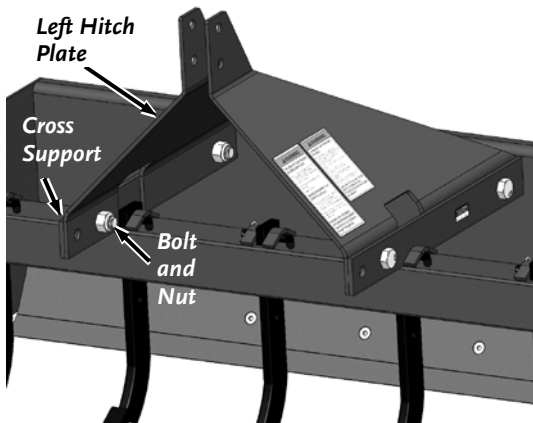


Figure 7

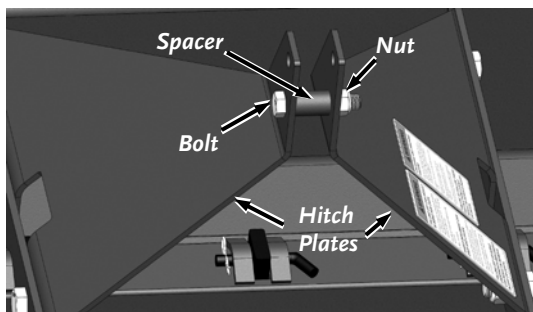


Figure 8

1. Locate a clean flat surface to assemble the 3PT BOX BLADE.
2. Position the Box Blade Frame on the working surface (**Figure 5**).
3. Place the Right Hitch Plate on the inside of the cross support and loosely secure by hand to the Cross Support with two M24 Bolts and two M24 Nuts (**Figure 6**).
4. Place the Left Hitch Plate on the inside of the cross support and loosely secure by hand to the Cross Support with two M24 Bolts and two M24 Nuts (**Figure 7**).
5. Loosely install the M20 Bolt, Spacer and M20 Nut in the second hole from the top of the Hitch Plates (**Figure 8**).
6. Install the PTO Class 1 Draw Pins to the Blade Frame (**Figure 9**). Loosely secure with 1" ID X 1.38" OD Shim, 7/8" Lock Washer and 7/8" Hex Nut.
7. Insert a #3 Phillips Head Screwdriver or 5/16" Punch into the hole of the Draw Pin. Hold the Screwdriver or Punch then tighten the Nut with a Large Adjustable Wrench.
8. Tighten all of the Hitch Plate Hardware using two 36mm Wrenches.

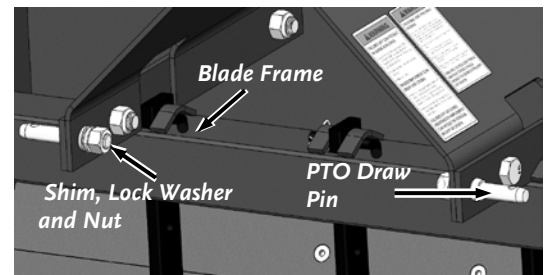


Figure 9

Attaching the DR 60" 3PT BOX BLADE to the Tractor

1. Position the rear of the Tractor centered at the Box Blade Frame (**Figure 10**).
2. Slide the Lower Lift Arms onto the Draw Pins and secure with the Linch Pins.
3. Position the Top Link in-between the Left and Right Hitch Plate Frames.
4. Adjust and align the hole in the Top Link and Hitch Plate Frames by turning the Top Link to lengthen or shorten.
5. Insert the Top Link Pin into the aligned holes and secure with the Linch Pin.
6. Refer to your Tractor Operator's manual for specific instructions on how to adjust the Lower Lift Arms as needed to center the 3PT BOX BLADE to keep from swaying side to side.

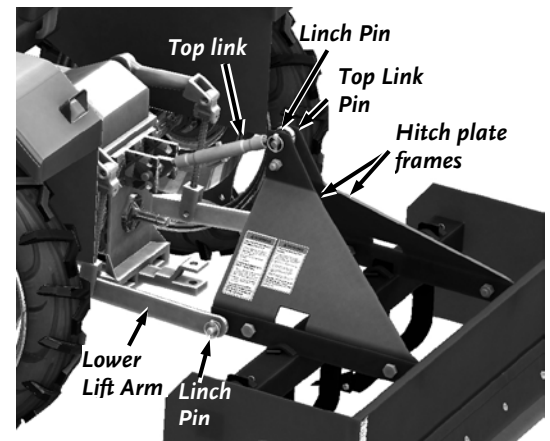


Figure 10

Chapter 3: Operating the DR 60" 3PT BOX BLADE

It may be helpful to better familiarize yourself with the features of your DR 60" 3PT BOX BLADE by reviewing **Figure 2** in Chapter 2 before beginning the steps outlined in this chapter.

Operating Safety

WARNING

- Never allow anyone to operate the DR 3PT BOX BLADE without first reading and understanding all instructions in this manual. Be thoroughly familiar with the controls and the proper use of your DR 3PT BOX BLADE before using.
 - Never let people ride on the DR 3PT BOX BLADE.
 - Always check for objects in the Box Blades path before moving.
 - When operating in a roadway, we suggest that you put out obstructions (marker cones or pails) to divert any traffic away from your work area. Always be aware of potential traffic hazards.
 - When working around slopes, do not make sudden starts, stops or sudden changes in direction.
 - When working around rough terrain and slopes, use reduce ground speed and extreme care.
 - Prior to leaving the operators seat, be sure to lower the Tractors Lift Arms, engage the parking brake, shut off the engine and remove the key.
 - To avoid injury, never place yourself between the DR 3PT BOX BLADE and the ground.
 - Buckle up! Keep seat belt securely fastened.
 - Operate Tractor controls from the Tractor only.
 - Lower Equipment to ground, stop engine, remove key, and set brake before dismounting Tractor.
 - Heavy loads can cause instability in the Tractors handling. Be sure that the Tractor has the Proper counterbalance.
-

Operating Parameters

- **Utility Tractor**
 - 3 PT hitch Category 1.
 - 20-45 HP.

Operating Tips

- Depending on the soil conditions, expect to make several passes with the DR 60" 3PT BOX BLADE when leveling to make repairs.
- Avoid filling holes filled with water, wait until the holes are dry.
- Avoid large rocks, embedded ledge, cattle guards, or similar obstructions.
- Use Low Gear when using the DR 60" 3PT BOX BLADE – Do not exceed 5 MPH.
- Reduce ground speed when working around slopes or rough terrain.

NOTICE

Frequently check the tightness of the Bolts that fasten the Tooth to the Shank, as well as the Blades to the Frame.

WARNING

- Never make adjustments to the Top Link or Shanks while the tractor is running. Always Shut the tractor off and set the parking brake.
- Only lift the DR 3PT BOX BLADE high enough off the ground to make adjustments to The Top Link or Shanks.
- Never place your feet or any other body part between the DR 3PT BOX BLADE and the working surface.

Top Link Adjustment

By adjusting the Tractor's Top Link connected to the DR 60" 3PT BOX BLADE you are able to alter the performance of the Box Blade (**Figure 11**).

- Lengthening the Tractor's Top Link will help the DR 60" 3PT BOX BLADE perform better when used for scraping and leveling
- Shortening the Tractor's Top Link will increase the penetration depth of the scarifying teeth when used for scarifying harder soil.

Scarifying

The DR 60" 3PT BOX BLADE can be used to loosen or soften hardened and packed soil by scarifying the surface. Expect to make a few passes with the DR Box blade when working with harder soils. Take small bites at first and increase the amount of depth as you work.

1. Remove the Wire Hair Pin and Shank pin that hold the Shank to the Blade Frame (**Figure 12**). Slide the Shank up or down to adjust the scarifying tooth penetration depth and Secure with the Shank with the Shank Pin and Wire Hair Pin. Be sure to keep all of the Shanks at the same Depth
2. Lower The Box Blade onto the working area and drive forward to start the scarifying process.
3. As you continue working you may need to adjust the Tooth Penetration depth by adjusting the shank height or Adjusting the Top Link.

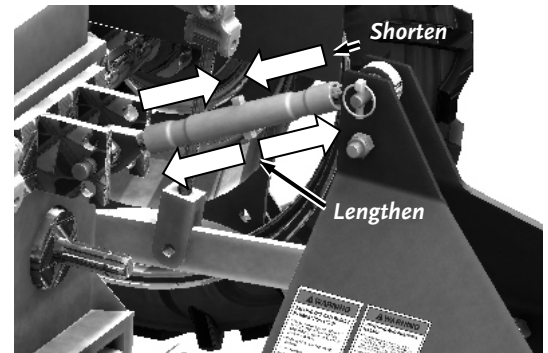


Figure 11

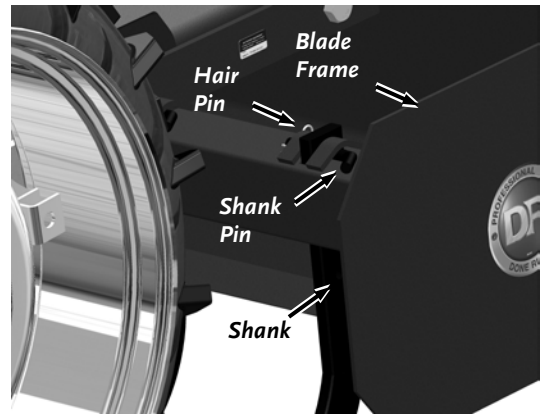


Figure 12

Scraping

The DR 60" 3PT BOX BLADE can be used for scraping, this makes it easy to clear areas with high built material, or fill areas with low spots.

1. Remove the Wire Hair Pin and Shank pin that hold the Shank to the Blade Frame (**Figure 12**). Raise the Shanks to the highest position and secure the Shank with the Shank Pin and Wire Hair Pin. You can also fully remove the shanks and store the Shanks and mounting hardware together.
2. Level the Box Blade by adjusting the Top Link. This is a good starting point to see how the Box Blade behaves to the area you are working in.
3. Lower the Box Blade onto the working area and drive forward to start the Scraping process.
4. You may need to shorten the Top Link, this will put more of a pitch on the front blade and create a better cut. The top link is set properly when you can see the blade body fill easily, allowing you to transfer material from one area to another. Soft or previously scarified soil will have a different Top Link setting than that of compact or harder materials.
5. To spread the material, gradually raise the Box Blade with the Tractor's Lift Arms as you drive forward.

Backfilling

The DR 60" 3PT BOX BLADE can be used for light conventional back filling

1. Remove the Wire Hair Pin and Shank pin that hold the Shank to the Blade Frame (**Figure 12**). Raise the Shanks to the highest position and secure the Shank with the Shank Pin and Wire Hair Pin. You can also fully remove the shanks and store the Shanks and mounting hardware together.
2. Lower the Box Blade onto the working area and drive backwards towards the fill material.
3. Adjust the Top Link to control how much the blade digs in.

Be cautious when operating the DR 60" 3PT BOX BLADE in the rear position. Operate at a slow speed and avoid any hard jarring movements and moving very heavy loads. Do not use the DR 60" 3PT BOX BLADE to ram into a dirt pile as this can be very dangerous and could result in injury. Keep the load centered in the Blade and always keep a slight upward lift on the 3point lift arms. This will prevent the Blade from digging into the ground.

Leveling

The DR 60" 3PT BOX BLADE can be used to level out excess loose material or rough terrain.

1. Remove the Wire Hair Pin and Shank Pin that hold the Shank to the Blade Frame (**Figure 12**). Raise the shanks to the highest position and secure the Shank with the Shank Pin and Wire Hair Pin. You can also fully remove the shanks and store the Shanks and mounting hardware together.
2. Adjust the Top Link by lengthening so that the Front Blade clears the ground.
3. Lower the Box Blade onto the working area and drive forward to level excess loose material.

Chapter 4: Maintaining the DR 60" 3PT BOX BLADE

Regular maintenance is the way to ensure the best performance and long life of your machine. Please refer to this Chapter for maintenance intervals and procedures.

WARNING

Before performing any maintenance, you must first shut off the Tractor, remove the key and set the parking brake.

Regular Maintenance Checklist

PROCEDURE	BEFORE EACH USE
Check general equipment condition e.g., Nuts, Bolts, welds, etc.	▲
Use a Hose or Pressure Washer to clean the DR 60" 3PT BOX BLADE	▲
Check condition of Teeth	▲
Check condition of Front and Rear Blades	▲

Cleaning the 3PT BOX BLADE

- Use a Hose or Pressure Washer to wash the DR 60" 3PT BOX BLADE to keep the Scarifying Teeth, Shanks, Blades, Frame, etc. clean and clear of debris.

Checking the Shank and Teeth

- Check the Shank and Teeth for signs of wear or damage i.e. bends, chips, etc. Replace if worn or damaged.

Replacing the Teeth

If your Tractor has a Lockout Valve, use it to support the Teeth off the ground. We recommend also placing blocks under the Box Blade to ensure it will not lower accidentally while adjustment/maintenance is performed

Tools Needed:

- Two 16mm Wrenches
 - Blocks
1. Lower the DR 60" 3PT BOX BLADE onto Support Blocks placed under each side of the Box Blade (**Figure 13**).
 2. Remove the M10 Bolt and Nut that hold the Tooth to the Shank, using two 16mm Wrenches (**Figure 14**).
 3. Remove the old Tooth and clean the mounting area of the Shank. Note the direction that the old tooth came off.
 4. Position the new Tooth in place and secure with the Bolt and Locknut previously removed.

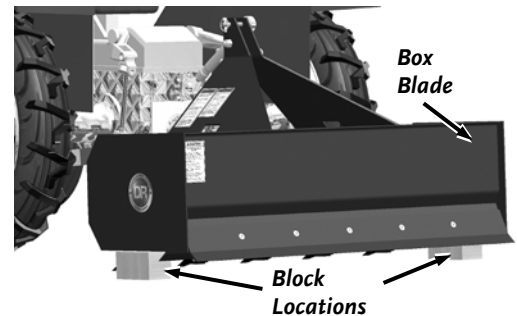


Figure 13

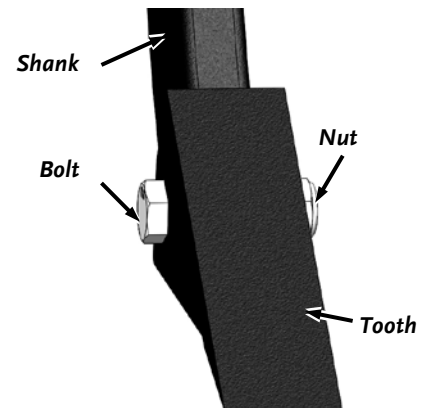


Figure 14

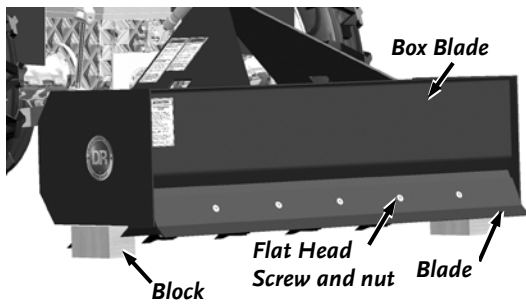


Figure 15

Repositioning/Replacing the Front and Rear Blades

Tools Needed:

- 10 mm Allen Wrench
- 18 mm Wrench
- Blocks

If your Tractor has a Lockout Valve, use it to support the Blades off the ground. We recommend also placing blocks under the Box Blade Frame to ensure it will not lower accidentally while adjustment/maintenance is performed.

1. Lower the DR 60" 3PT BOX BLADE onto support blocks placed under each side (**Figure 15**), enough to lift the Box Blade Frame off the ground.
2. Remove the five Screws and Locknuts that hold the Blade to the Box Blade Frame, using an 18mm Wrench and 10mm Allen Wrench.

Note: The Blades have two edges for extended life and can be repositioned so the edge that was on top is now facing down (cutting position) when necessary.

3. Reposition the Blade onto the Box Blade Frame with the unused edge facing down. Secure the Blade with the Six Flat Head Screws and Locknuts using an 8mm Allen Wrench and 19mm Wrench.
4. If your DR 60" 3PT BOX BLADE Blades need replacing, follow steps 1 thru 3 to remove the old Blades. Position the new Blades onto the Frame and secure with six Flat Head Screws and Locknuts using an 18mm Wrench and 10mm Allen Wrench.

Chapter 5: Troubleshooting

Most problems are easy to fix. Consult the Troubleshooting Table below for common problems and their solutions. If you continue to experience problems, contact us at www.DRpower.com or call toll-free 1-800-DR-OWNER (376-9637) for support.

WARNING

Before performing any maintenance, you must first shut off the Tractor, remove the key and set the parking brake.

Troubleshooting Table

SYMPTOM	POSSIBLE CAUSE
<i>The Scarifying Teeth are not digging properly.</i>	⇒ The Teeth are dull. Check and replace the Teeth. ⇒ The Box Blade pitch is set to straight. Adjust the Top Link to add more pitch.
<i>The Blades are digging in too much</i>	⇒ The Blade pitch is set to excessive. Adjust the Top Link to decrease the pitch ⇒ The work area you are working in is too soft.
<i>The Box Blade is unable to hold a level ground</i>	⇒ The Tractor's draft control is lifting the blade. Check and reset the draft control. ⇒ The soil you are working with is too hard. Use Scarifiers to loosen the soil
<i>Shanks are bent</i>	⇒ Hitting hidden objects in the soil. Use caution and slow speeds when in unknown soil conditions.

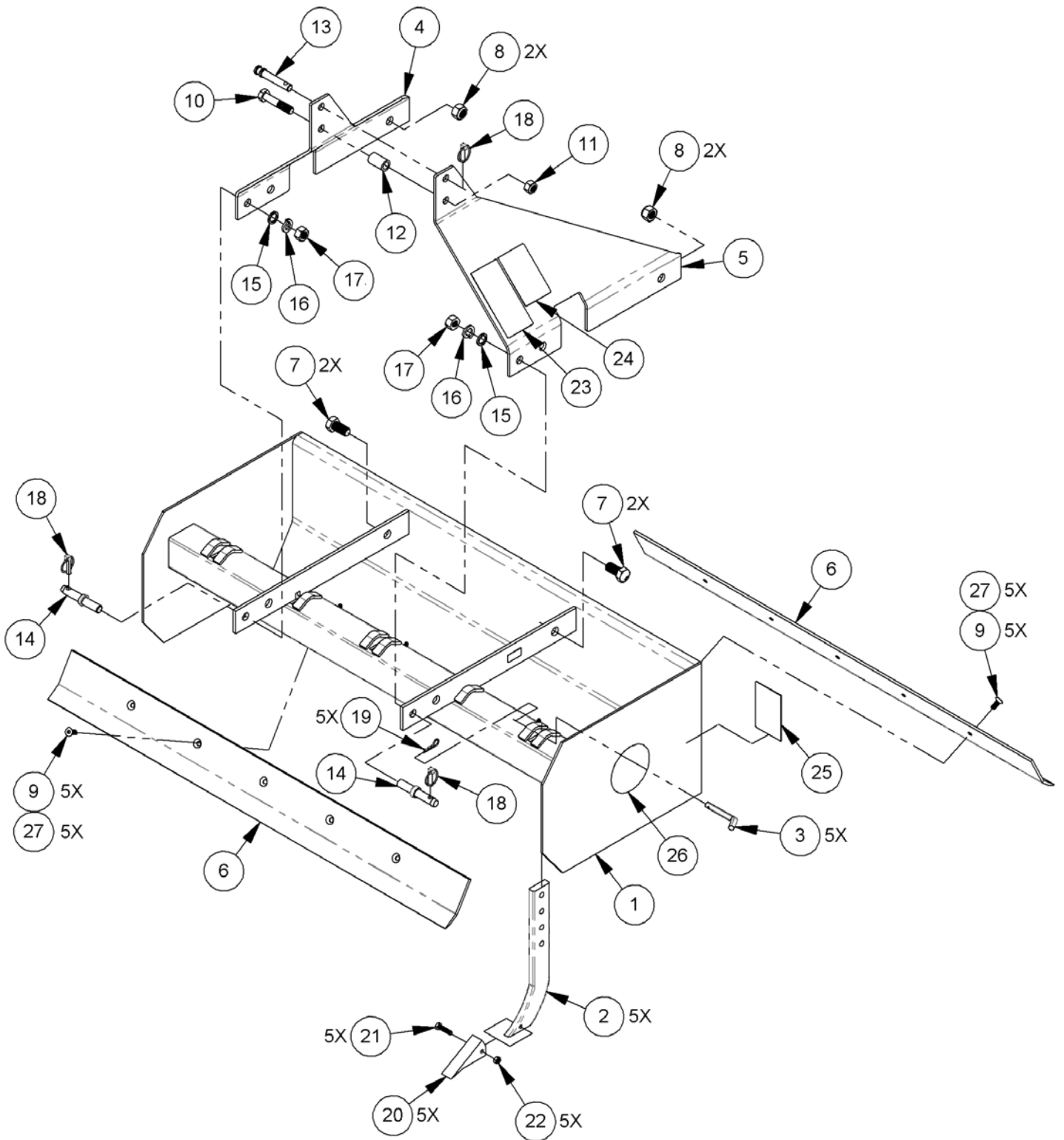
Chapter 6: Parts Lists, Schematic Diagrams and Warranty

Parts List – BOX BLADE ASSEMBLY

Note: Part numbers listed are available through DR Power Equipment.

<u>Ref#</u>	<u>Part#</u>	<u>Description</u>	<u>Ref#</u>	<u>Part#</u>	<u>Description</u>
1	10000031426	Frame, Box Blade, W/Labels	15	26568	Shim, 1"ID x 1.38"OD, X .16"T
2	39319	Shank	16	32379	Washer, Lock, 7/8", YZP
3	39413	Shank Pin	17	32380	Nut, Hex, 7/8"-9, YZP
4	39316	Hitch Plate, Left	18	32396	Pin, Linch, 7/16" x 1.5", YZP
5	10000031349	Hitch Plate, Right, W/Labels	19	16003	Pin, Hair, 1/2" To 9/16", .12" Wire
6	39321	Front/Rear Blade	20	39320	Tooth, Cast
7	39410	Bolt, M24 X 3 X 50mm	21	36092	Bolt, M10 X 1.5 X 45mm, Cl 8, ZP
8	39411	Nut, M24-X 3	22	30249	Nut, Nylon Lock, M10-X 1.5
9	39420	Screw, Flat Head, M12-X 1.75 X 30mm	23	39722	Label, Warning, Falling and Crushing, 3pt
10	39374	Bolt, M20-X 2.5 X 100mm	24	39723	Label, Warning, Crushing and Pinching, 3pt
11	39375	Nut, M20-X 2.5	25	39724	Label, Caution, General, 3pt Ground Engaging
12	39416	Spacer	26	34141	Label, DR Logo, 5.75" Silver
13	40034	Pin, Top Link, PTO Class 1	27	33345	Nut, Nylon Lock, M12 X 1.75, Cl 8, ZP
14	32378	Pin, Draw, PTO Class 1			

Schematic – DR BOX BLADE ASSEMBLY



Notes:

DR® 3PT BOX BLADE



2-Year Limited Warranty

Terms and Conditions

The DR® 3PT BOX BLADE is warranted for two (2) years against defects in materials or workmanship when put to ordinary and normal consumer use; ninety (90) days for any other use.

For the purposes of all the above warranties, "ordinary and normal consumer use" refers to non-commercial residential use and does not include misuse, accidents or damage due to inadequate maintenance.

DR Power Equipment certifies that the DR® 3PT BOX BLADE is fit for ordinary purposes for which a product of this type is used. DR Power Equipment however, limits the implied warranties of merchantability and fitness in duration to a period of two (2) years in consumer use, ninety (90) days for any other use.

The 2-Year Limited Warranty on the DR® 3PT BOX BLADE starts on the date the machine ships from our factory. The 2-Year Limited Warranty is applicable only to the original owner.

The warranty holder is responsible for the performance of the required maintenance as defined by the manufacturer's owner's manuals. The warranty holder is responsible for replacement of normally wearing parts such as the Teeth and Blades are not covered by this warranty.

During the warranty period, the warranty holder is responsible for the machine transportation charges, if required. During the warranty period, warranty parts will be shipped by standard method at no charge to the warranty holder. Expedited shipping of warranty parts is the responsibility of the warranty holder.

SOME STATES DO NOT ALLOW LIMITATIONS ON THE LENGTH OF IMPLIED WARRANTIES, SO THE ABOVE LIMITATIONS MAY NOT APPLY TO YOU.

DR Power Equipment shall not be liable under any circumstances for any **incidental or consequential damages or expenses** of any kind, including, but not limited to, cost of equipment rentals, loss of profit, or cost of hiring services to perform tasks normally performed by the DR® 3PT BOX BLADE.

SOME STATES DO NOT ALLOW THE EXCLUSION OR LIMITATION OF INCIDENTAL OR CONSEQUENTIAL DAMAGES, SO THE ABOVE LIMITATIONS MAY NOT APPLY TO YOU.

THIS WARRANTY GIVES YOU SPECIFIC LEGAL RIGHTS, AND YOU ALSO HAVE OTHER RIGHTS, WHICH VARY FROM STATE TO STATE.

Daily Checklist for the DR 60"3PT BOX BLADE

To help maintain your DR 60" 3PT BOX BLADE for optimum performance, we recommend you follow this checklist each time you use your 3PT BOX BLADE.

! WARNING

Before performing any maintenance, you must first shut off the Tractor, remove the key and set the parking brake.

- [] **HARDWARE:** Check all nuts and bolts to be sure that the components are secure.
- [] **FRAME:** Check all welds to be sure that the frame is intact and secure.
- [] **CLEAN:** Make sure the Blades, Shanks and the Frame are clean and free of debris.

End of Season and Storage

! WARNING

Before performing any maintenance, you must first shut off the Tractor, remove the key and set the parking brake.

- Use a Hose or Pressure Washer to wash the DR 60" 3PT BOX BLADE
- Wipe down the DR 60" 3PT BOX BLADE to remove any moisture and dirt that may have accumulated.
- If possible, store the DR 60" 3PT BOX BLADE in a dry, protected place. If it is necessary to store the DR 60" 3PT BOX BLADE outside, cover it with a protective material.



75 MEIGS ROAD, P.O. BOX 25, VERGENNES, VERMONT 05491
