



PRO-PC20 2 Inch Clean Water Pump

Parts Manual

WARNING

Operating, servicing and maintaining this equipment can expose you to chemicals including engine exhaust, carbon monoxide, phthalates, and lead, which are known to the State of California to cause cancer and birth defects or other reproductive harm. To minimize exposure, avoid breathing exhaust, do not idle the engine except as necessary, service your equipment in a well-ventilated area and wear gloves or wash your hands frequently when servicing your equipment.

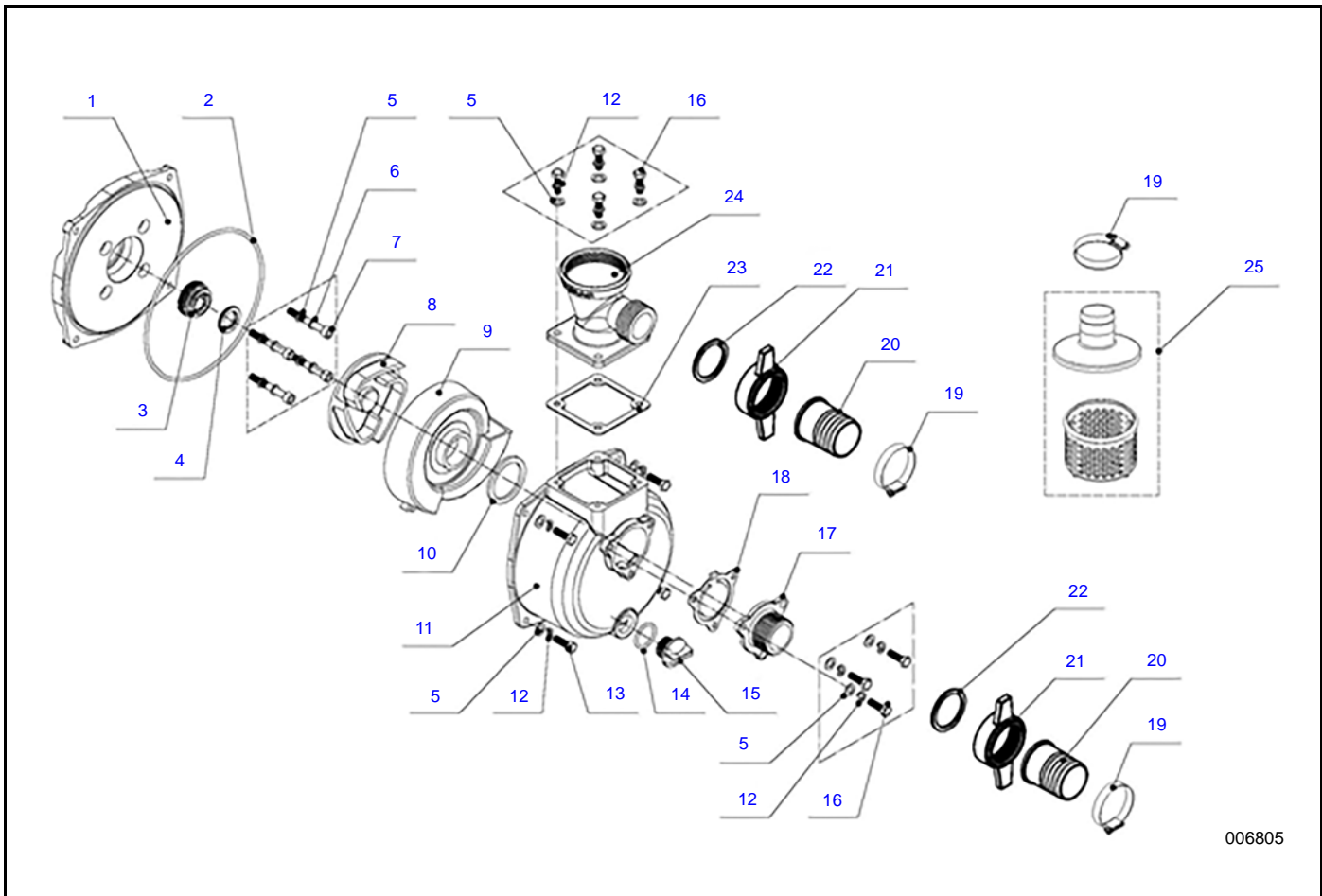
For more information go to
www.P65Warnings.ca.gov.

(000393)

The information in this manual is accurate based on products produced at the time of publication. The manufacturer reserves the right to make technical updates, corrections, and product revisions at any time without notice.

www.drpower.com or 1-855-447-3734

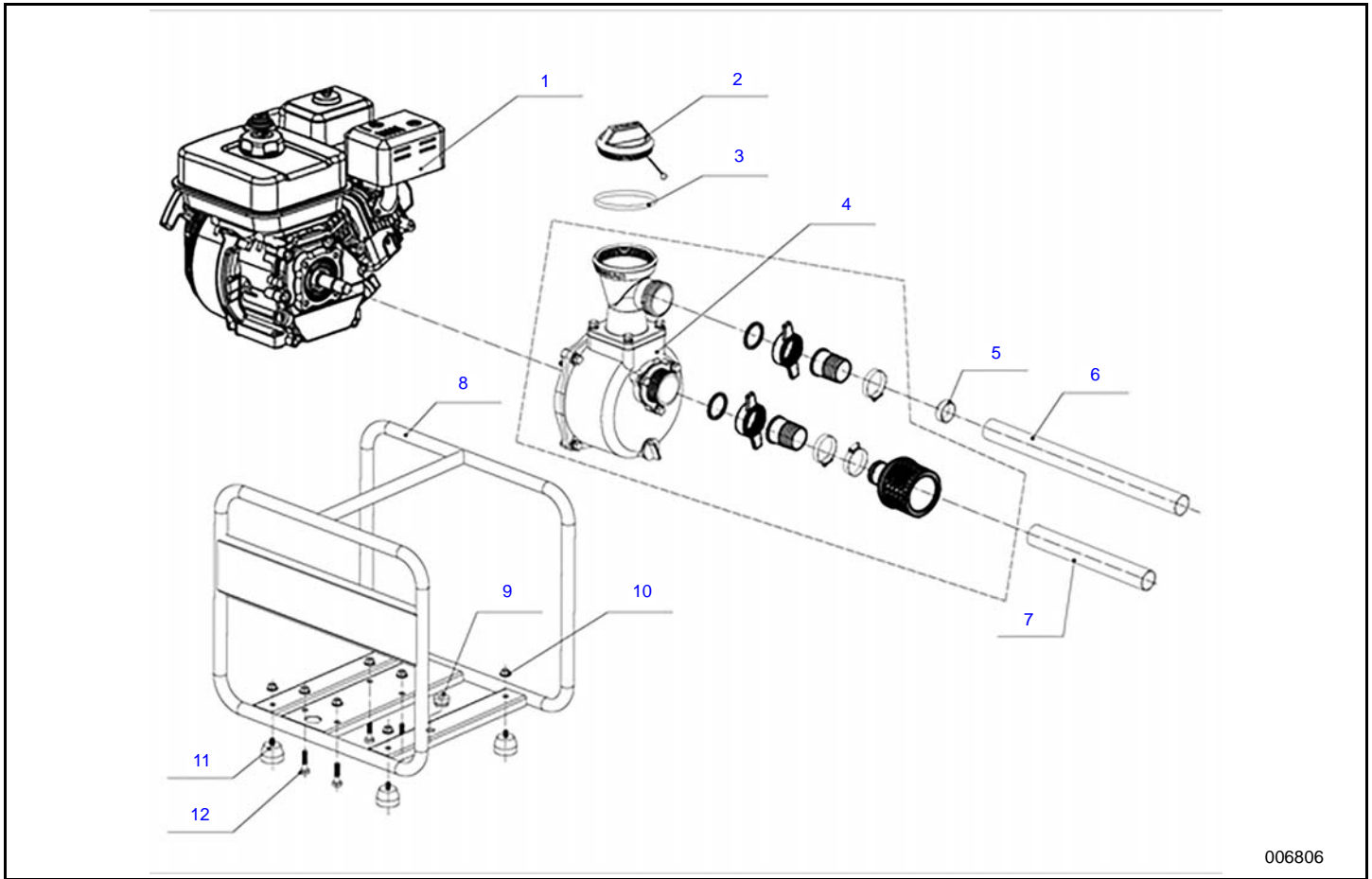
Water Pump Assembly



006805

ITEM	PART NO.	DESCRIPTION	QTY	ITEM	PART NO.	DESCRIPTION	QTY
1	0K95700118	PUMP COVER	1	17	0K95700156	INTAKE VALVE SEAT	1
2	0K95700119	O-RING, PUMP COVER	1	18	0K95700131	FLAP VALVE	1
3	0K95700120	MECHANICAL SEAL (STATIONARY)	1	19	0K95700154	TIGHT CIRCLE	3
4	0K95700121	MECHANICAL SEAL (DYNAMIC)	1	20	0K95700153	PIPE JOINT	2
5	0J08180229	FLAT WASHER	15	21	0K95700134	JOINT GRIP	2
6	0K95700122	RUBBER WASHER	4	22	0K95700132	SEALING RING	2
7	0K95700123	INNER HEX BOLT M8X40	4	23	0K95700140	EASY PRIME DISCHARGE FUNNEL GASKET	1
8	0K95700124	IMPELLER (HT200)	1	24	10000022133	EASY PRIME DISCHARGE FUNNEL (WITHOUT LOGO)	1
9	0K95700125	VOLUTE (HT200)	1	25	0K95700137	FILTER	1
10	0K95700126	O-RING, VOLUTE	1				
11	0K95700127	PUMP HOUSING	1				
12	0J08180230	SPRING GASKET	11				
13	0K95700128	BOLT M8X30	4				
14	0K95700129	O-RING, PLUG	2				
15	0K95700130	PLUG	2				
16	0K96270126	BOLT M8X25	7				

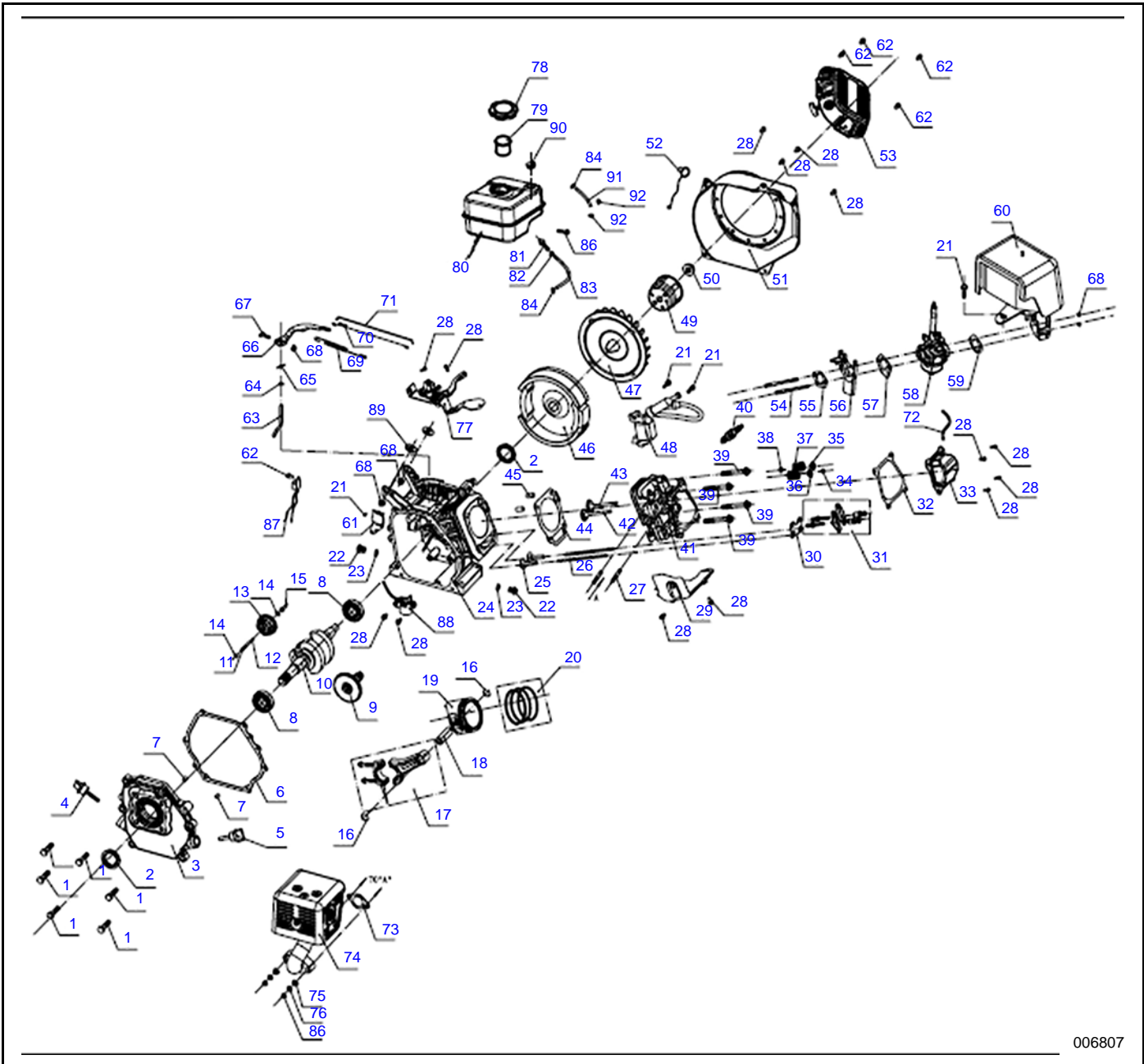
Clean Water Pump



006806

ITEM	PART NO.	DESCRIPTION	QTY
1	10000031595	ENGINE	1
2	10000022161	EASY PRIME CAP	1
3	0K95700141	O-RING, EASY PRIME CAP	1
4	10000031585	PUMP ASSEMBLY	1
5	0K95700139	BLUE BAND	1
6	0K95700138	DISCHARGE HOSE (25FT)	1
7	0K95700136	SUCTION HOSE (12FT)	1
8	10000031627	CRADLE, WATER PUMP	1
9	0L63350111	SHOCK-ABSORBER OF PUMP BODY	1
10	0J08180243	NUT M8	8
11	0L63350112	CYLINDER VIBRATION MOUNTS	4
12	0L63350113	BOLT M8X34	4

208cc Engine



006807

ITEM	PART NO.	DESCRIPTION	QTY
1	0H33750125	BOLT M8X33.5	6
2	0H33750112	OIL SEAL	2
3	0H33750121	CRANKCASE COVER	1
4	0K95520122	OIL DIPSTICK	1
5	0H33750120	OIL DIPSTICK	1
6	0H33750122	CRANKCASE GASKETS	1
7	0H33750124	PIN 8X14	2
8	0H33750123	BEARING	2
9	N/A	CAMSHAFT	1
10	N/A	CRANKSHAFT	1

ITEM	PART NO.	DESCRIPTION	QTY
11	0H33750117	SPEED GOVERNING SHAFT	1
12	0H33750118	SNAP RING	1
13	0H33750279	SPEED GOVERNING GEAR	1
14	0H33750280	SPEED SWINGING ROD WASHER	2
15	0H33750281	SPEED GOVERNING PUSH DISH	1

ITEM	PART NO.	DESCRIPTION	QTY
16	N/A	PISTON PIN CIRCLIP	2
17	N/A	CONNECTING ROD ASSEMBLY	1
18	N/A	PISTON PIN	1
19	N/A	PISTON	1
20	N/A	PISTON RING SET	1
21	0H33750167	BOLT M6X22	4
22	0H33750110	OIL DRAIN BOLT M10X15	2
23	0H33750111	OIL DRAIN BOLT GASKETS	2
24	0K68130111	CRANKCASE	1
25	0H33750142	VALVE TAPPET	2
26	0H33750143	VALVE LIFTER	2
27	0H33750136	STUDS M8X34	2
28	0H33750126	BOLT M6X12	14
29	0K95520113	ENGINE SHROUD	1
30	0H33750130	PUSH GUIDE ASSEMBLY	1
31	0H33750129	VALVE ROCKER ASSEMBLY	2
32	0H33750128	CYLINDER HEAD COVER GASKET	1
33	0H33750127	CYLINDER HEAD COVER	1
34	0H33750131	EXHAUST VALVE CAP	1
35	0H33750133	INTAKE VALVE SPRING SEAT	1
36	0H33750132	EXHAUST VALVE SPRING SEAT	1
37	0H33750134	VALVE SPRING	2
38	0H33750146	OIL SEAL, PIPE	1
39	0H3375A123	BOLT M8X60	4
40	0H33750169	SPARK PLUG	1
41	0K95520114	CYLINDER HEAD	1
42	0J08180132	EXHAUST VALVE	1
43	0J08180133	INTAKE VALVE	1
44	0J5628H111	CYLINDER HEAD GASKETS	1
45	0H33750139	PIN 10X16	2
46	0H33750155	FLYWHEEL	1
47	0H33750156	FLYWHEEL FAN	1
48	0070340SRV	IGNITION COIL	1
49	0L47960111	STARTING FLANGE	1

ITEM	PART NO.	DESCRIPTION	QTY
50	0H33750158	NUT M14x1.5	1
51	0K95520115	SHROUD	1
52	0K95520116	SWITCH	1
53	10000031557	RECOIL STARTER	1
54	0L47960112	STUDS M6X112	2
55	0H33750175	INTAKE GASKET	1
56	0H33750176	CARBURETOR CUSHION BLOCK	1
57	0H33750177	CARBURETOR GASKET	1
58	0L47960113	CARBURETOR	1
59	0H33750179	AIR CLEANER GASKET	1
60	0L47960114	AIR CLEANER	1
61	0H33750163	SHROUD SIDE COVER	1
62	0H3375A124	BOLT M6X8	5
63	0H33750114	SPEED SWINGING ROD	1
64	0H33750115	WASHER	1
65	0H33750116	CLAMP, SPEED SWINGING ROD LOCK	1
66	0H33750185	SPEED GOVERNING ARM	1
67	0H33750184	LOCK BOLT	1
68	0H33750171	NUT M6	5
69	0H33750181	SPEED GOVERNING SPRING	1
70	0H33750182	THROTTLE RESET SPRING	1
71	0H33750183	SPEED GOVERNING PULL ROD	1
72	0K95530163	BREATHING TUBE	1
73	0H3378	MUFFLER GASKET	1
74	0L47960115	EXHAUST MUFFLER ASSEMBLY	1
75	0K96270122	WASHER	2
76	0J08180230	SPRING WASHER	2
77	0K95520127	SPEED GOVERNING ASSEMBLY	1
78	0L47960116	FUEL TANK CAP	1
79	0L47960117	FILTER CUP	1

ITEM	PART NO.	DESCRIPTION	QTY
80	10000031594	FUEL TANK	1
81	0K95530174	CONNECTOR	1
82	0J08180222	CLAMP	2
83	0J6626	FUEL PIPE	0.17
84	0H33750173	CLAMP	2
86	0J08180243	NUT M8	2
86	0L47960119	BOLT M6X28	1
87	0H33750283	RETAINING VALVE	1
88	0H33750165	OIL SENSOR	1
89	0L47960120	VIBRATION MOUNTS, FUEL TANK	2
90	0L47960121	ROV, FUEL TANK	1
91	0L47960122	EVAP. HOSE	1
92	0J08180222	CLAMP	2

This page intentionally left blank.

Part No.10000031446

Rev. A 02/28/2018

©2018 DR Power Equipment

All rights reserved

Specifications are subject to change without notice.

No reproduction allowed in any form without prior written consent from DR Power Equipment



75 Meigs Road
Post Office Box 25
Vergennes, Vermont 05491
1-855-447-3734
www.drpower.com