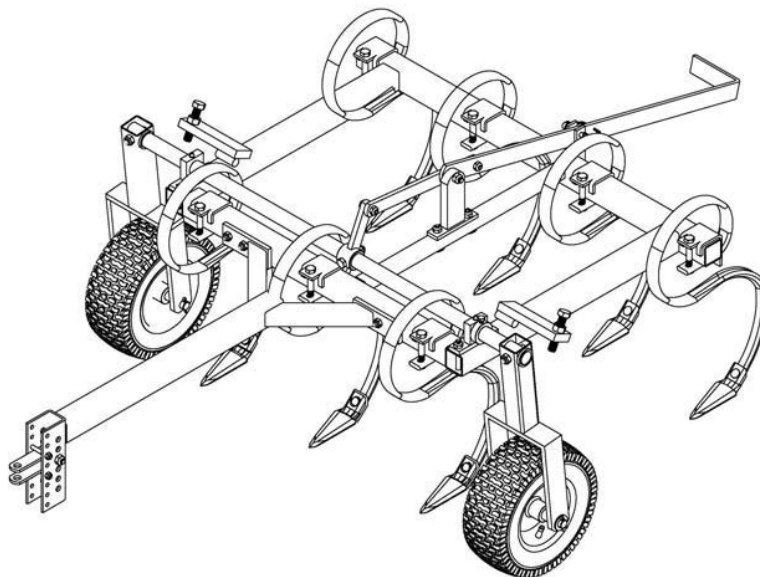




ATV CULTIVATOR

OWNER'S MANUAL



WARNING:

Read carefully and understand all **ASSEMBLY AND OPERATION INSTRUCTIONS** before operating. Failure to follow the safety rules and other basic safety precautions may result in serious personal injury.

Thank you very much for choosing this product! For future reference, please complete the owner's record below:

Serial Number: _____

Order Number: _____

Purchase Date: _____

Save the receipt, the warranty, and these instructions. It is important that you read the entire manual to become familiar with this product before you begin using it.

This product is designed for certain applications only. The manufacturer cannot be responsible for issues arising from modification. We strongly recommend that this product not be modified and/or used for any application other than that for which it was designed. If you have any questions relative to a particular application, DO NOT use the product until you have first contacted us to determine if it can, or should, be performed on the product.

For technical questions, please contact us at www.DRpower.com or call **1-800-DR-OWNER (376-9637)** for assistance.

INTENDED USE

The 48" ATV Cultivator is the perfect tool for cultivating your soil. This cultivator has a working width of 48" to allow for fast and efficient work. It is designed with seven heavy-duty shovels measuring 7.6" x 1.36" each and effectively cuts through your soil for ideal cultivation. You can easily attach and use this hassle-free cultivator with your 500cc or larger ATV.

TECHNICAL SPECIFICATIONS

Item	Description
Coverage	48" working width
Shovel Qty.	7
Shovel Size	7.6" x 1.36"
Wheels	13" Pneumatic
Weight	172lbs
Tow Vehicle	ATV (500cc or Larger)

GENERAL SAFETY RULES



WARNING: Read and understand all instructions. Failure to follow all instructions listed below may result in serious injury.



CAUTION: Do not allow persons to operate or assemble this Plug Aerator until they have read this manual and have developed a thorough understanding of how the Plug Aerator works.



WARNING: The warnings, cautions, and instructions discussed in this instruction manual cannot cover all possible conditions or situations that could occur. It must be understood by the operator that common sense and caution are factors that cannot be built into this product, but must be supplied by the operator.

SAVE THESE INSTRUCTIONS

WORK AREA

- **Keep work area clean**, free of clutter and well lit. Cluttered and dark work areas can cause accidents.
- **Keep children and bystanders** away while operating the cultivator. Distractions can cause you to lose control, so visitors should remain at a safe distance from the work area.
- **Be aware of all power lines, electrical circuits**, water pipes and other mechanical hazards in your work area, particularly those hazards below the work surface hidden from the operator's view that may be unintentionally contacted and may cause personal harm or property damage.
- **Be alert of your surroundings**. Using the cultivator in confined work areas may put you dangerously close to cutting tools and rotating parts.

PERSONAL SAFETY

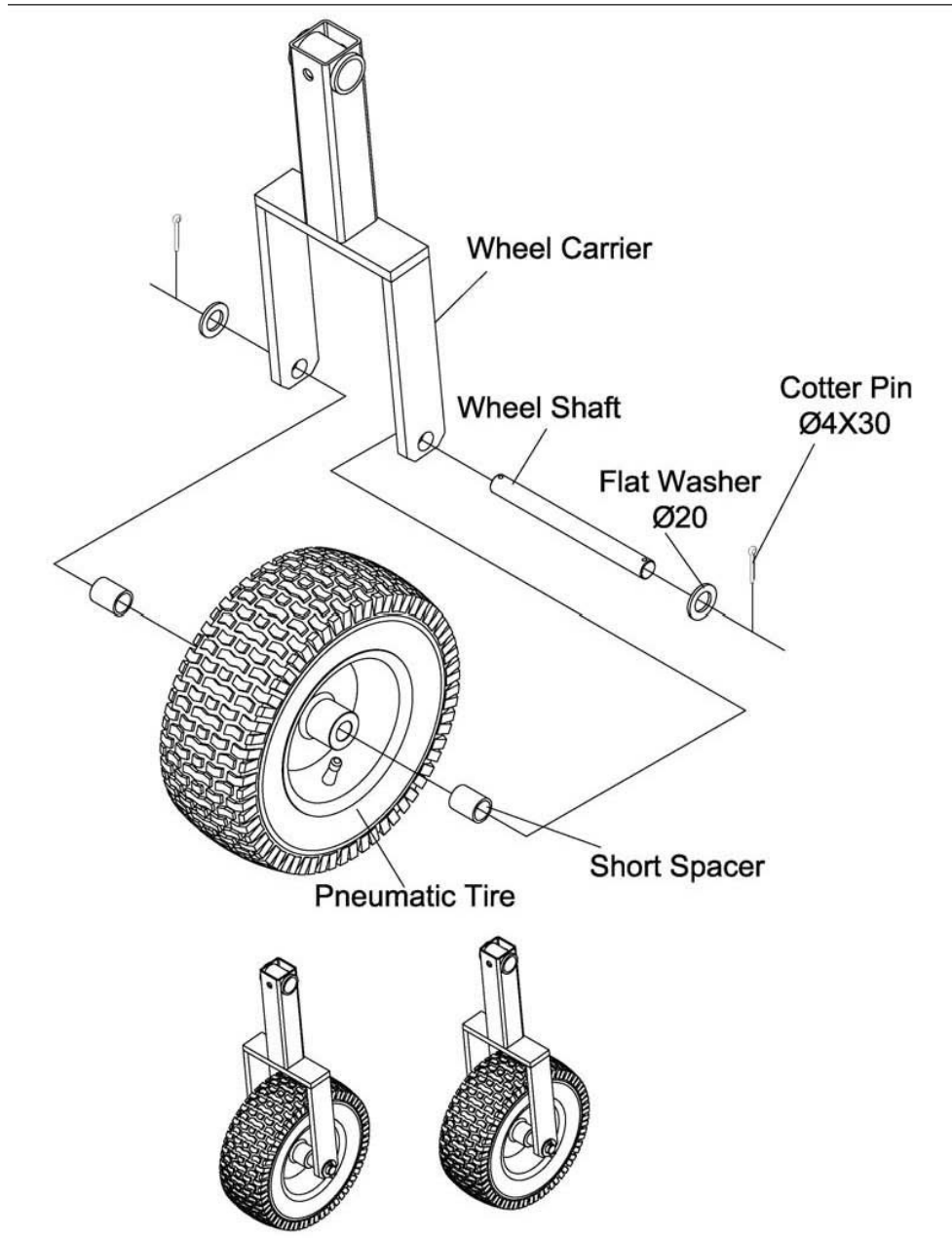
- **Stay alert**, watch what you are doing and use common sense when using the cultivator. Do not use the cultivator while you are tired or under the influence of drugs, alcohol or medication. A moment of inattention while operating the cultivator may result in serious personal injury.
- **Dress properly**. Do not wear loose clothing, dangling objects, or jewelry. Keep your hair, clothing and gloves away from moving parts. Loose clothes, jewelry or long hair can be caught in moving parts.
- **Use safety apparel and equipment**. Use safety goggles or safety glasses with side shields which comply with current national standards, or when needed, a face shield. Use a dust mask in dusty work conditions. This applies to all persons in the work area. Also use non-skid safety shoes, hardhat, gloves, dust collection systems, and hearing protection when appropriate.

CULTIVATOR USE AND CARE

- **Do not modify the cultivator in any way**. Unauthorized modification may impair the function and/or safety and could affect the life of the equipment. There are specific applications for which the cultivator was designed.
- **Always check of damaged or worn out parts before using the cultivator**. Broken parts will affect the cultivator operation. Replace or repair damaged or worn parts immediately.
- **Do not exceed the cultivator load capacity**.
- **Distribute the load evenly**. Uneven loads may cause the cultivator to tip, resulting in personal injury to the operator or others.
- **Use the cultivator on flat and level surfaces** capable of supporting the cultivator and its maximum load. Pulling or pushing a load on a slanted or uneven surface can result in loss of control.
- **Store idle cultivator**. When the cultivator is not in use, store it in a secure place out of the reach of children. Inspect it for good working condition prior to storage and before re-use.

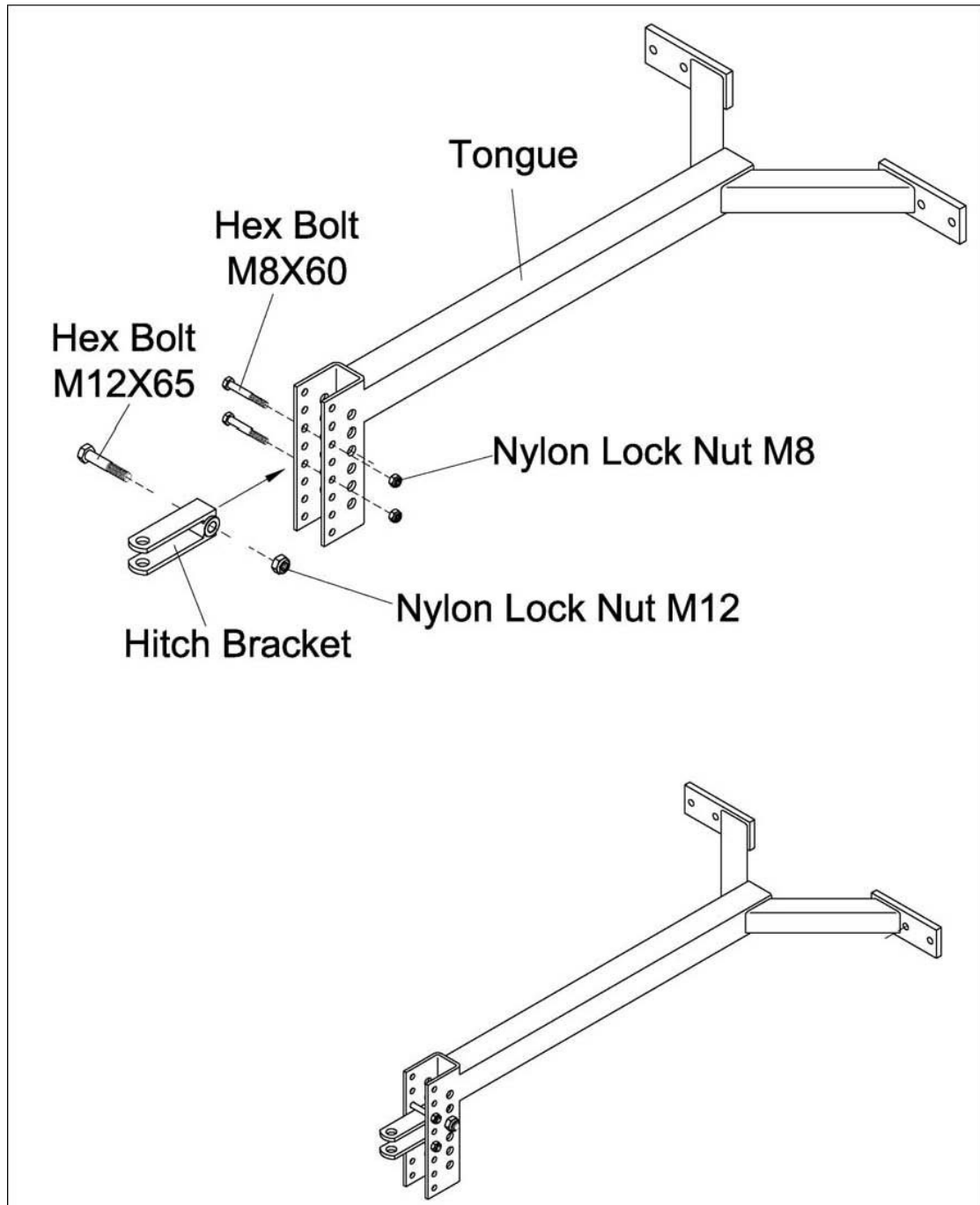
ASSEMBLY

Step 1: Assemble the Tire to the Wheel Carrier using the Wheel Shaft, Short Spacers, Flat Washers $\text{\O}20$ and Cotter Pins $\text{\O}4\times30$ as shown in Picture 1. Assemble the other tire in the same way.



Picture 1

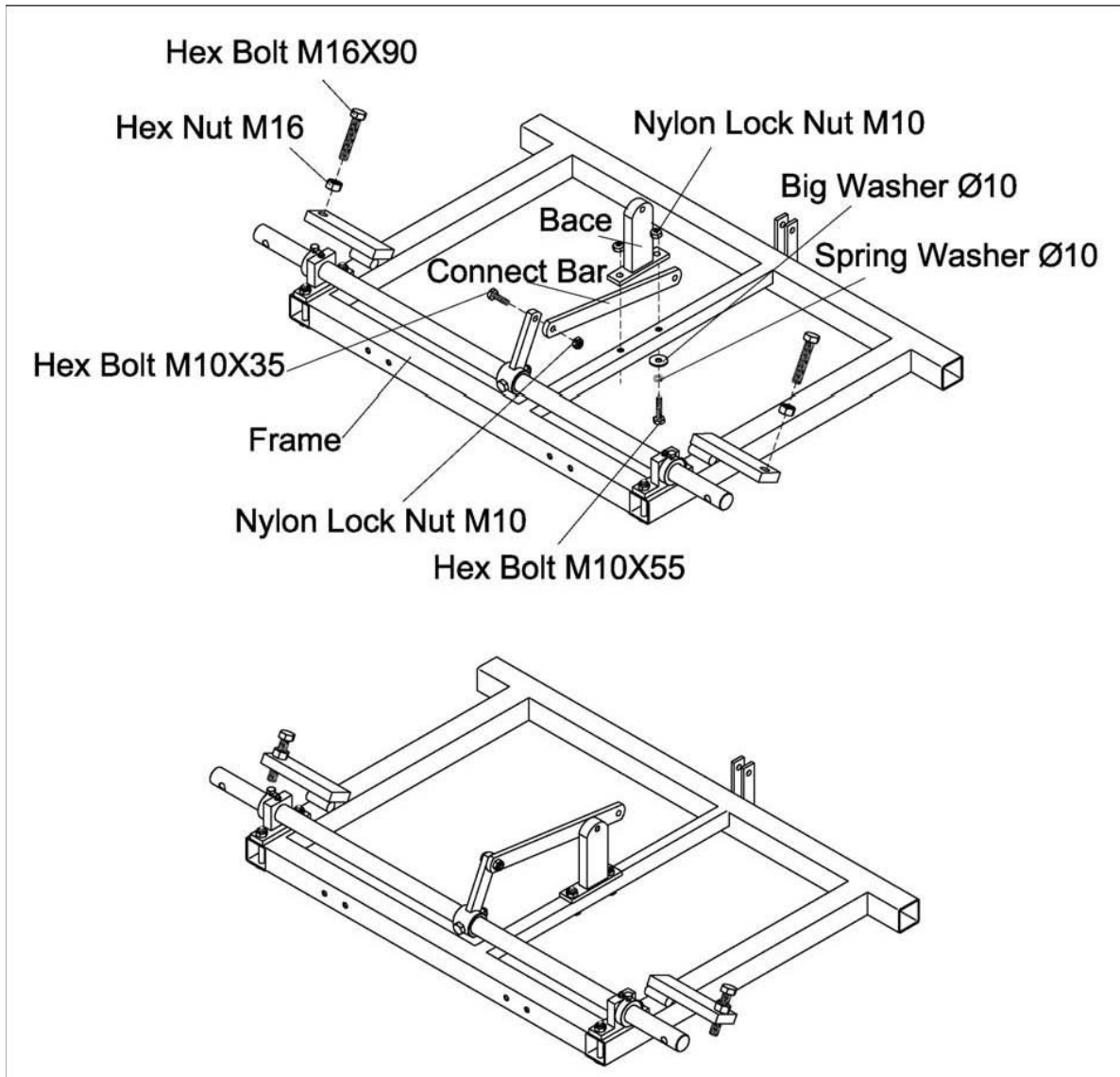
Step 2: Attach the Hitch Bracket to the Tongue using the Hex Bolt M12x65 and Nylon Lock Nut M12. Fix the Hitch Bracket using the Hex Bolts M8x60 and Nylon Lock Nuts M8.



Picture 2

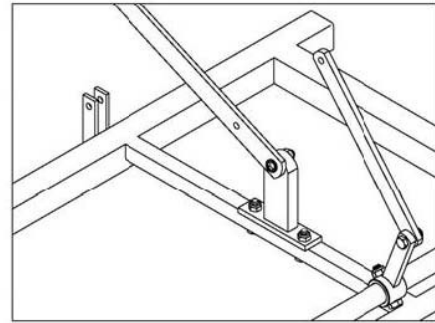
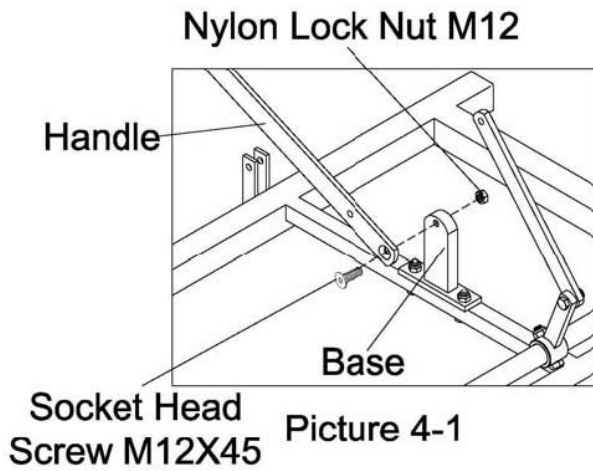
Step 3: Attach the Base to The Frame using the Hex Bolts M10x55, Spring Washer Ø10, Big Washer Ø10 and Nylon Lock Nut M10. Attach the Connect Bar to the Joint on Axle using the Hex Bolt M10x35 and Nylon Lock Nut M10.

Install the Hex Bolts M16x90 and Hex Nuts M16 to the Frame as shown in Picture 3.

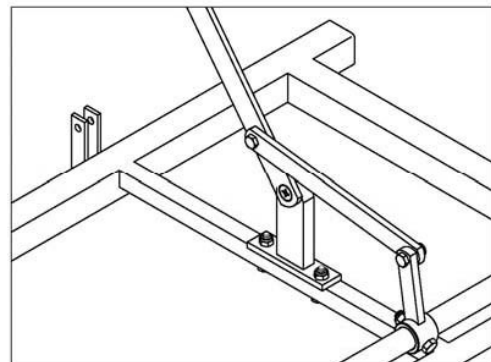
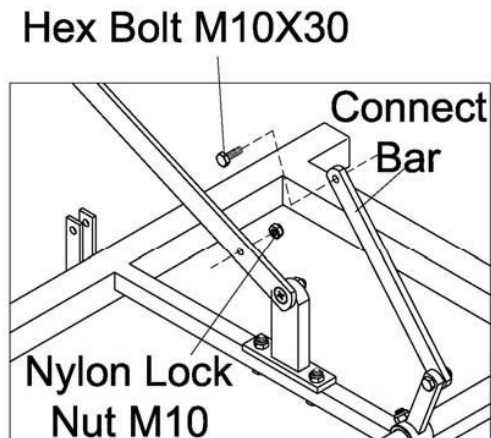


Picture 3

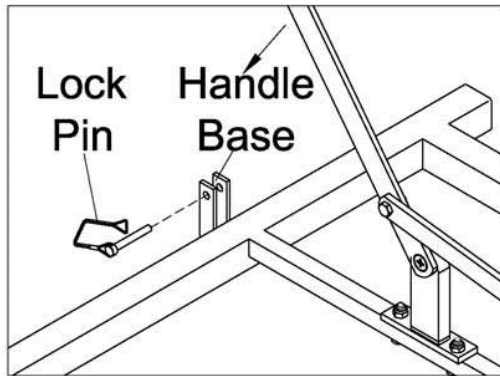
Step 4: Attach the Handle to the Base using the Socket Head Screw M12x45 and Nylon Lock Nut M12. Note: Do not over tighten Socket Head Screw M12x45 and Nylon Lock Nut M12, the Handle should rotate freely.



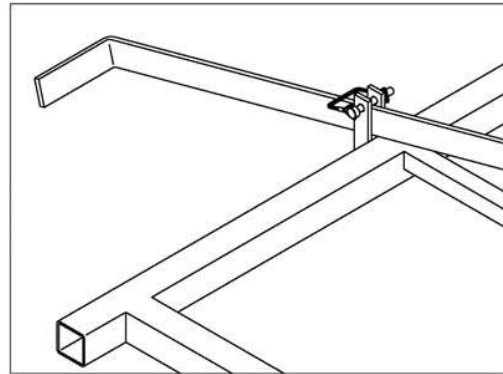
Step 5: Connect the Handle and the Connect Bar together using Hex Bolt M10x30 and Nylon Lock Nut M10.



Step 6: Pull the Handle into the middle of Base and lock it by the Lock Pin.

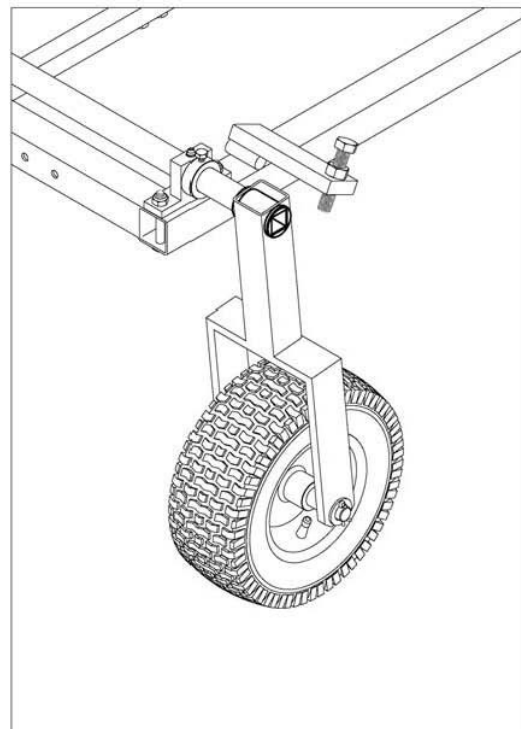
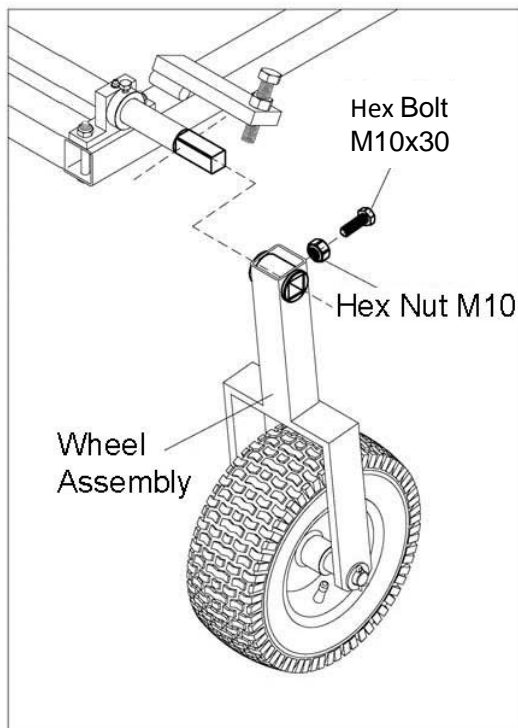


Picture 6-1

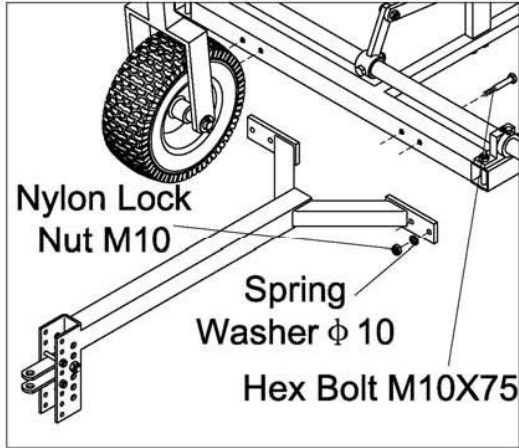


Picture 6-2

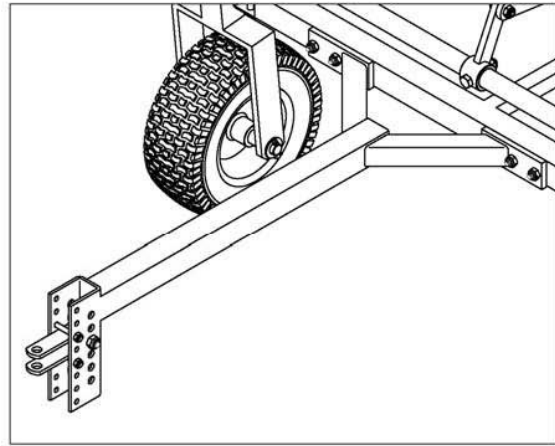
Step 7: Install the Wheel Assembly to the Axle using Hex Bolt M10x30 and Hex Nut M10. Repeat above procedure for the other side. Note: Keep the valves outward



Step 8: Install the Tongue Assembly to the Frame using Hex Bolts M10x75, Spring Washers $\varnothing 10$ and Nylon Lock Nuts M10.

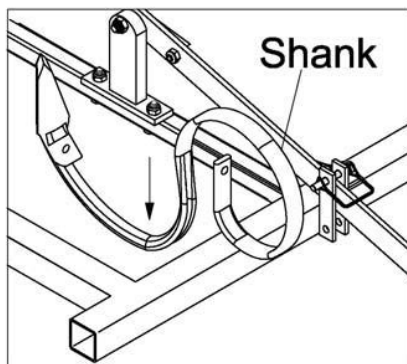


Picture 8-1

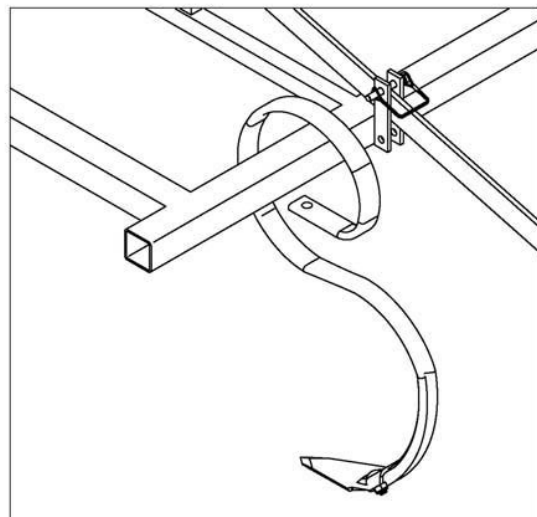


Picture 8-2

Step 9: Put the Shank to the Frame as shown in Picture 9-2.



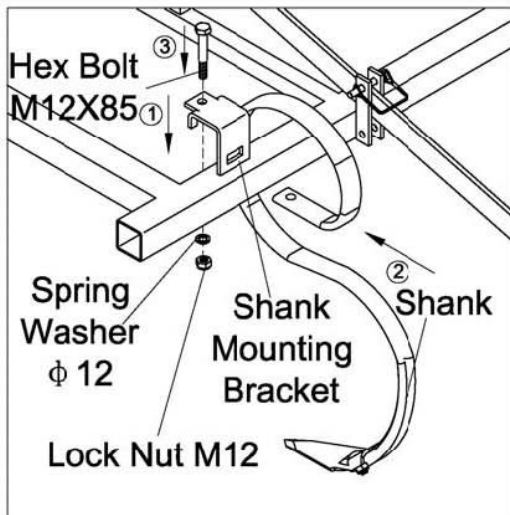
Picture 9-1



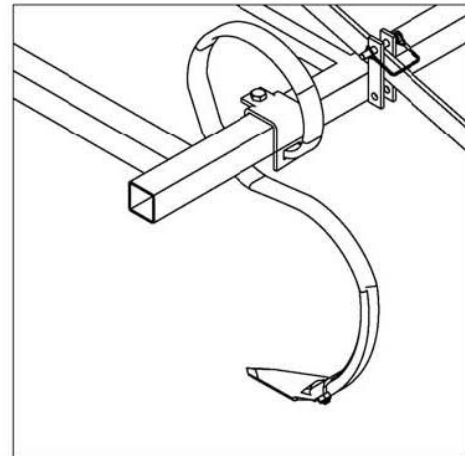
Picture 9-2

Step 10: Put the Shank Mounting Bracket on the tube of the Frame and insert the Shank into the square hole on the Shank Mounting Bracket. Fix the Shank Mounting Bracket and the Shank onto the Frame using Hex Bolt M12x85, Spring Washer $\phi 12$ and Nylon Lock Nut M12.

Install the rest 6 shanks in the same way. Adjust the position of the shanks if necessary.

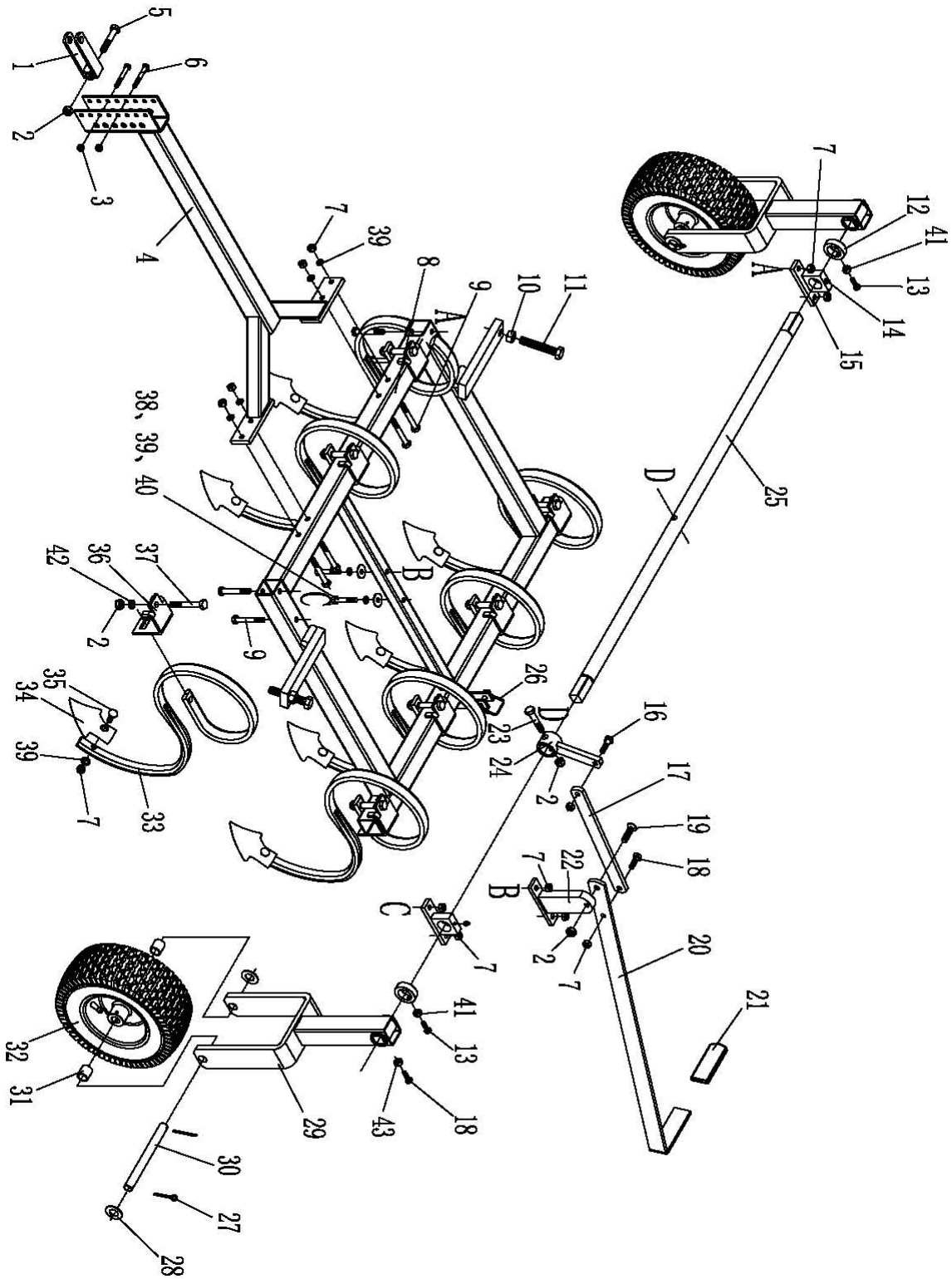


Picture 10-1



Picture10-2

Exploded Diagram



PARTS LIST

REF#	DESCRIPTION	PART#	QTY	REF#	DESCRIPTION	PART#	QTY
1	Hitch Bracket	41145	1	22	Base	41166	1
2	Nylon Lock Nut M12	41146	10	23	Hex Bolt M12x60	41167	1
3	Nylon Lock Nut M8	41147	2	24	Joint	41168	1
4	Tongue	41148	1	25	Axle	41169	1
5	Hex Bolt M12x65	41149	1	26	Lock Tube	41170	1
6	Hex Bolt M8x60	41150	2	27	Cotter Pin Ø4x30	41171	4
7	Nylon Lock Nut M10	41151	19	28	Flat Washer Ø20	41172	4
8	Frame	41152	1	29	Wheel Carrier	41173	2
9	Hex Bolt M10x75	41153	8	30	Wheel Shaft	41174	2
10	Hex Nut M16	41154	2	31	Short Spacer	41175	4
11	Hex Bolt M16x90	41155	2	32	Pneumatic Tire	41176	2
12	Locating Ring	41156	2	33	Shank	41177	7
13	Hex Bolt M8x25	41157	2	34	Shovel	41178	7
14	Oil Cup M6	41158	2	35	Step Bolt M10x35	41179	7
15	Axle Holder	41159	2	36	Shank Mounting	41180	7
16	Hex Bolt M10x35	41160	1	37	Hex Bolt M12x85	41181	7
17	Connect Bar	41161	1	38	Hex Bolt M10x55	41182	2
18	Hex Bolt M10x30	41162	3	39	Spring Washer Ø10	41183	13
19	Socket Head Screw	41163	1	40	Big Washer Ø10	41184	2
20	Handle	41164	1	41	Hex Nut M8	41185	2
21	Handle Grip	41165	1	42	Spring Washer Ø12	41186	7
				43	Hex Nut M10	41187	2

For replacement parts and technical questions, please contact us at www.DRpower.com or call **1-800-DR-OWNER (376-9637)** for assistance.

MAINTENANCE

- Maintain your cultivator.** It is recommended that the general condition of any the cultivator be examined before it is used. Keep your cultivator in good repair by adopting a program of conscientious repair and maintenance. If any abnormal vibrations or noise occurs, have the problem corrected before further use. Have necessary repairs made by qualified service personnel.

DR[®] ATV CULTIVATOR



2-Year Limited Warranty

Terms and Conditions

The DR[®] ATV CULTIVATOR is warranted for two (2) years against defects in materials or workmanship when put to ordinary and normal consumer use; ninety (90) days for any other use.

For the purposes of all the above warranties, "ordinary and normal consumer use" refers to non-commercial residential use and does not include misuse, accidents or damage due to inadequate maintenance.

DR Power Equipment certifies that the DR[®] ATV CULTIVATOR is fit for ordinary purposes for which a product of this type is used. DR Power Equipment however, limits the implied warranties of merchantability and fitness in duration to a period of two (2) years in consumer use, ninety (90) days for any other use.

The 2-Year Limited Warranty on the DR[®] ATV CULTIVATOR starts on the date the machine ships from our factory. The 2-Year Limited Warranty is applicable only to the original owner.

The warranty holder is responsible for the performance of the required maintenance as defined by the manufacturer's owner's manuals. The warranty holder is responsible for replacement of normally wearing parts such as the Shanks, Shovels, and Pneumatic Tires. Accessories to the machine are not covered by this warranty.

During the warranty period, the warranty holder is responsible for the machine transportation charges, if required. During the warranty period, warranty parts will be shipped by standard method at no charge to the warranty holder. Expedited shipping of warranty parts is the responsibility of the warranty holder.

SOME STATES DO NOT ALLOW LIMITATIONS ON THE LENGTH OF IMPLIED WARRANTIES, SO THE ABOVE LIMITATIONS MAY NOT APPLY TO YOU.

DR Power Equipment shall not be liable under any circumstances for any **incidental or consequential damages or expenses** of any kind, including, but not limited to, cost of equipment rentals, loss of profit, or cost of hiring services to perform tasks normally performed by the DR[®] ATV CULTIVATOR.

SOME STATES DO NOT ALLOW THE EXCLUSION OR LIMITATION OF INCIDENTAL OR CONSEQUENTIAL DAMAGES, SO THE ABOVE LIMITATIONS MAY NOT APPLY TO YOU.

THIS WARRANTY GIVES YOU SPECIFIC LEGAL RIGHTS, AND YOU ALSO HAVE OTHER RIGHTS, WHICH VARY FROM STATE TO STATE.



**75 Meigs Rd, PO Box 25
Vergennes, VT 05491**