

DR[®] LEAF & LAWN VACUUM



OPTIONAL ACCESSORIES SAFETY & OPERATING INSTRUCTIONS

! WARNING!

**READ AND UNDERSTAND THIS MANUAL AND ALL INSTRUCTIONS
BEFORE USING YOUR NEW ACCESSORY**

THANK YOU!

Congratulations on your purchase of a new DR LEAF and LAWN VACUUM Optional Accessory!

We have done our utmost to ensure that your DR LEAF and LAWN VACUUM Optional Accessory will be one of the most trouble-free and satisfying pieces of equipment you have ever owned. Please let us know of any questions or problems you may have. We want to answer or correct them as quickly as possible. When you do call, please have your order number handy. **For technical assistance, please call Toll-Free 1-800-DR-OWNER (376-9637) and one of our Technical Support Representatives will be happy to help you.** We also hope to hear from you on how much you like your new helper.

In addition, please tell your friends about your new DR LEAF and LAWN VACUUM Optional Accessory! Having DR Owners spread the word about our products and our way of doing business is the best advertising we can have, and the best way to help us provide even better service in the years to come.

Thanks once again!



for all of us at
Country Home Products, Inc.

SALES MANAGER

COPYRIGHT

©2006 Country Home Products, Inc. All rights reserved.



DR® Power Equipment
A division of Country Home Products®
127 Meigs Road
Vergennes, VT 05491

Toll-Free phone: 1-800-DR-OWNER (376-9637)
Fax: 1-802-877-1213
Web site: www.dr-owner.com

Table of Contents

CHAPTER 1.....	1
INTRODUCING THE DR OPTIONAL ACCESSORIES.....	1
Conventions used in this manual	1
CHAPTER 2.....	2
GENERAL SAFETY RULES.....	2
CHAPTER 3.....	3
DR LEAF AND LAWN VACUUM OPTIONAL ACCESSORIES	3
Connecting and Using the Optional Hand Vacuum Attachment (Kit No. 18789)	3
Installing and Using the Optional Bagging Accessory.....	6
Installing and Using the Optional Mulch-Discharge Attachment (Kit No. 18791).....	8
Installing the Optional Universal Lawn Deck Adapter	10
CHAPTER 4.....	21
PARTS LISTS AND SCHEMATIC DIAGRAMS.....	21
Parts List - Hand Vacuum Hose Assembly (Kit No. 18789)	21
Schematic Diagram - Hand Vacuum Hose Assembly.....	22
Parts List - Bagging Accessory (Kit # 18796 Commercial, # 18795 Premier Model) .	23
Schematic Diagram - Bagging Accessory	23
Parts List - Mulch-Discharge Hose (Kit No. 18791).....	24
Schematic Diagram - Mulch-Discharge Hose	24
Parts List - Universal Lawn Deck Adapter (Kit No. 18794)	25
Schematic Diagram - Universal Lawn Deck Adapter.....	26

INTRODUCING THE DR OPTIONAL ACCESSORIES

This manual will help you set up and safely operate your new DR LEAF and LAWN VACUUM Optional Accessory. Careful adherence to the safety and operating instructions in this manual will ensure many years of productive use.

Please let us know of any questions you may have. We want to answer them as quickly as possible. When you do call, please have your order number handy. **For technical assistance, please call Toll-Free 1-800-DR-OWNER (376-9637) and one of our Technical Support Representatives will be happy to help you.**

Conventions used in this manual

WARNING!

THIS INDICATES A HAZARDOUS SITUATION, WHICH, IF NOT AVOIDED, COULD RESULT IN DEATH OR SERIOUS INJURY.

CAUTION!

THIS INDICATES A HAZARDOUS SITUATION, WHICH, IF NOT AVOIDED, COULD RESULT IN MINOR OR MODERATE INJURY.

NOTICE!

THIS INFORMATION IS IMPORTANT IN THE PROPER USE OF YOUR MACHINE. FAILURE TO FOLLOW THIS INSTRUCTION COULD RESULT IN DAMAGE TO YOUR MACHINE OR PROPERTY.

Tip: This is a helpful hint to guide you in getting the most out of your DR LEAF and LAWN VACUUM Optional Accessory.

Tools Needed: This indicates you will need a special tool to perform a maintenance function on your Optional Accessory.

NOTE: *This information may be helpful to you.*

If you are ever unsure about an action you are about to take, don't do it, contact Country Home Products' Toll-Free support at 1-800-DR-OWNER (376-9637) for help or information.

GENERAL SAFETY RULES

WARNING!

- READ THIS SAFETY AND OPERATING MANUAL BEFORE YOU USE THE DR LEAF AND LAWN VACUUM OPTIONAL ACCESSORY. ALSO, REVIEW THE SAFETY AND OPERATING MANUAL FOR YOUR SYSTEM.
 - INSPECT THE AREA WHERE YOU WILL BE WORKING. THE SITE MUST BE FREE OF POTENTIALLY HAZARDOUS OBSTACLES (E.G., STONES, GLASS AND METAL OBJECTS SUCH AS CANS).
 - TURN OFF YOUR LAWN TRACTOR AND DR LEAF AND LAWN VACUUM ENGINES BEFORE DISCONNECTING ANY HOSES TO INSTALL OR REMOVE YOUR ACCESSORY.
 - WEAR EYE PROTECTION WHENEVER THE BLOWER IS RUNNING.
-

DR LEAF AND LAWN VACUUM OPTIONAL ACCESSORIES

This chapter outlines a few simple steps you will need to follow to set up and use your new Optional Accessories that are available for your DR LEAF and LAWN VACUUM. **If you have any questions at all, please feel free to contact our Customer Service Representatives at our Toll-Free number: 1-800-DR-OWNER (376-9637).**

Connecting and Using the Optional Hand Vacuum Attachment (Kit No. 18789)

In addition to towing the DR LEAF and LAWN VACUUM with your lawn tractor, this system also allows you to vacuum flower beds, around trees and other places that you cannot mow with your lawn tractor.

! WARNING!

- BEFORE PERFORMING THIS PROCEDURE, STOP THE BLOWER ENGINE AND DISCONNECT THE SPARK PLUG WIRE.
- IF THE VACUUM HOSE BECOMES CLOGGED WITH DEBRIS, STOP THE ENGINE AND DISCONNECT THE SPARK PLUG WIRE BEFORE ATTEMPTING TO CLEAR THE BLOCKAGE.
- WEAR EYE PROTECTION WHENEVER THE BLOWER IS RUNNING.

! NOTICE!

USE CARE NOT TO ALLOW THE NOZZLE OPENING TO COME IN FULL CONTACT WITH THE GROUND WHILE VACUUMING. DIRT, STONES AND OTHER SOLID OBJECTS MAY BE PICKED UP AND INGESTED INTO THE BLOWER ASSEMBLY.

NOTE: The Hand Vacuum Hose shipped partially assembled. The following instructions detail the steps required to assemble the Handle Bar to the Nozzle and the Support Tie for the Hose (**Figure 1**).

Parts Supplied:

- (2) 5/16" Lock Nut
- (1) Support Tie
- (1) Handle Bar Assembly
- (1) Hose with Nozzle

Tools Needed:

- Scissors or Diagonal Cutter
- 1/2" Wrench or Socket
- Screwdriver

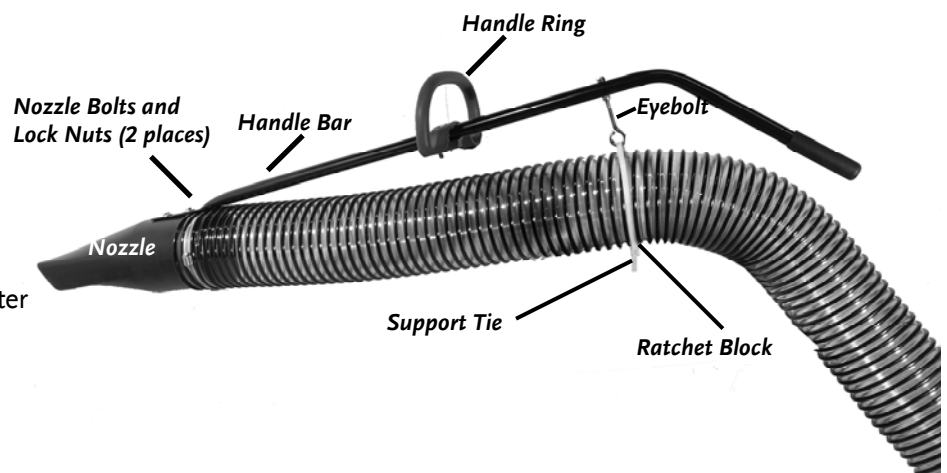


Figure 1

1. The Handle Ring shipped in a position suitable for packaging with the Ring Clamp Bolt only partially tightened. Rotate the Handle Ring upward but do not tighten at this time (**Figure 1**).
2. Locate the two (2) Bolts protruding from the Nozzle, align the two (2) holes at the end of the Handle Bar, and add a Lock Nut on each Bolt (**Figure 1**). Tighten the Lock Nuts using a 1/2" wrench.
3. Thread the Support Tie through the Eyebolt and wrap it around the Hose. Pass the end through the Ratchet Block on the end of the Support Tie (**Figure 1**).
4. Pull the excess Support Tie through the Ratchet Block. Leave the Tie loop slightly larger than the diameter of the Hose. Do not over-tighten (**Figure 1**).
5. Cut off excess Support Tie length.
6. Standing in a normal operating position (**Figure 4**), adjust the Handle Ring to a comfortable location and tighten the Handle Ring Clamp Bolt securely using a Screwdriver.

Attach the Vacuum Attachment to your Leaf and Lawn Vacuum using the following steps:

1. Disconnect the Blower Inlet Hose from your lawn deck Hose Adapter by unhooking the two (2) Flexible Latches (**Figure 2**).
2. Connect the Vacuum Attachment with attached nozzle by aligning the Latches (**Figure 3**) and slipping the Vacuum Attachment Hose into the Inlet Hose. Pull the Flexible Latches into place (**Figure 3**) to secure the hoses.
3. Start the engine and adjust the throttle to Fast (Rabbit).
4. While holding the Hand Vacuum Nozzle just above the ground at an angle, sweep the area side to side that you wish to vacuum (**Figure 4**).

Tip: Hold the vacuum nozzle at a slight angle to the ground so that it doesn't suck right down on the ground. This allows air to continue to flow into the nozzle while you are vacuuming.

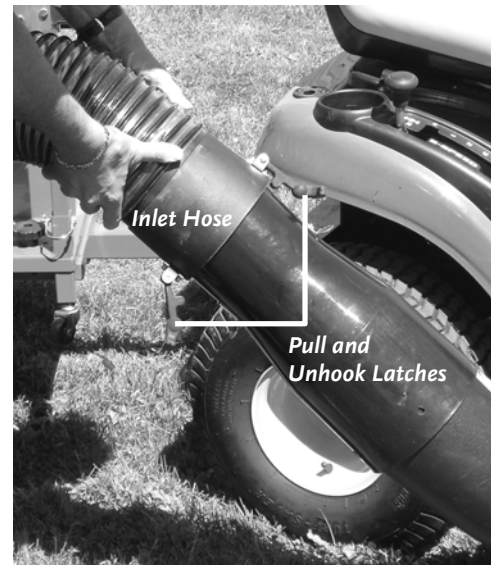


Figure 2



Figure 4

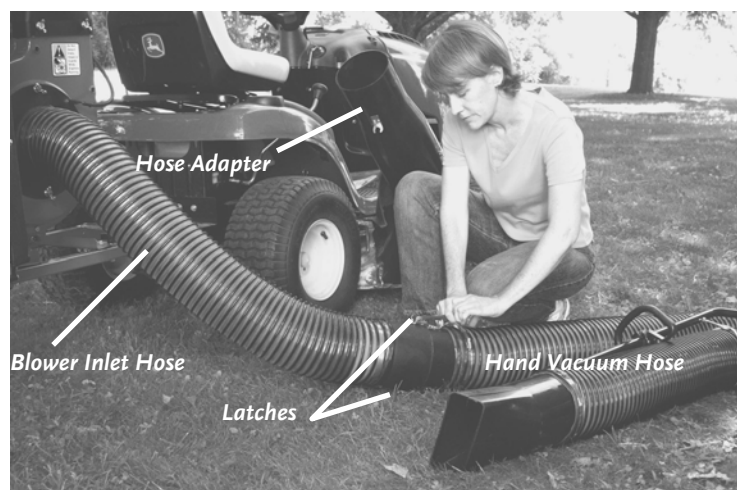


Figure 3

Tip: When vacuuming leaves off mulched areas, hold the nozzle just above the leaves and lower it slowly to determine the height that will pickup the leaves and not the mulch.

Tip: When vacuuming leaves in an area with loose brush, twigs and branches; step on them to hold them down so as not to ingest them into the vacuum nozzle (*Figure 5*). They may clog or puncture a hole in the vacuum hose. Once you have cleared the area of leaves, pick up, and chip the twigs and sticks that you uncovered during vacuuming.

Tip: Avoid dragging the Vacuum Hose over curbs, stonewalls, or piles of cut branches. The hose is tough, but can puncture on sharp objects.

! WARNING!

DO NOT VACUUM IN SANDY AREAS WHERE LARGE QUANTITIES OF SAND WILL BE VACUUMED WHILE MOWING OR VACUUMING. SAND WILL ERODE THE VACUUM HOUSING. CHECK FOR PIN HOLES AFTER EACH USE AND REPLACE THE HOUSING WHEN PIN HOLES DEVELOP.

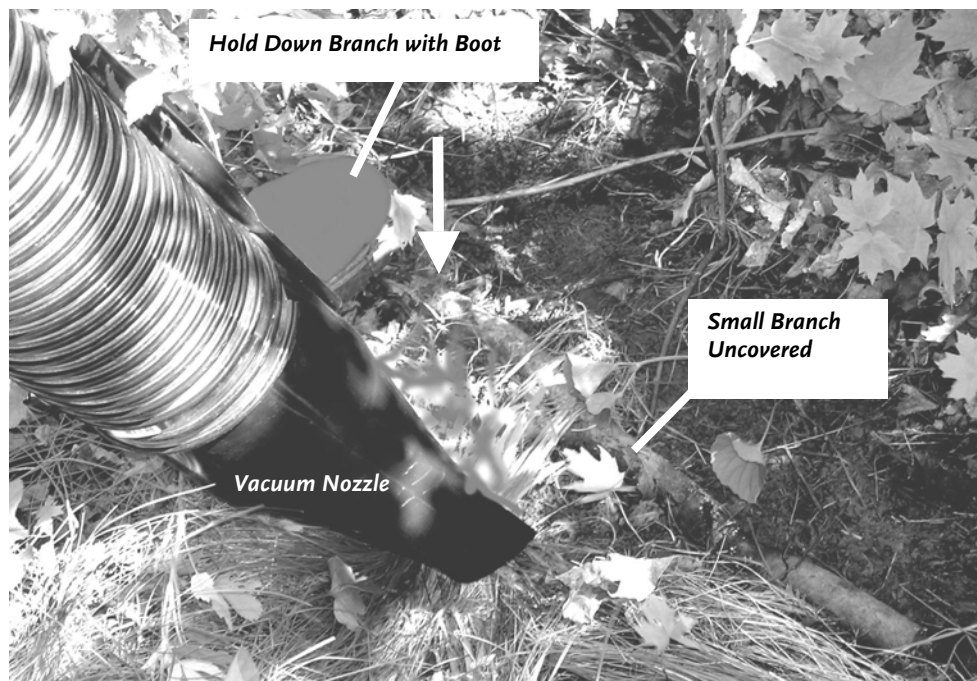


Figure 5

Installing and Using the Optional Bagging Accessory

The DR LEAF and LAWN VACUUM can utilize nine (9) Bagger Box Inserts in the Commercial model (6 for the Premier) that fit into the Collector Box for ease of bagging leaves and grass (**Figure 6**). For proper bagging operation, you MUST install all boxes in the Collector Box.

! WARNING!

BEFORE PERFORMING THIS PROCEDURE, STOP THE BLOWER ENGINE AND DISCONNECT THE SPARK PLUG WIRE.

Commercial model: (Kit No. 18796)

1. Remove the Rear Panel of the Collector Box by releasing the six (6) Flexible Latches and lift it off the pins protruding on the top corners.
2. Form the nine (9) individual cardboard leaf bag holders into boxes. Fold down the corners of the Bag Holder to stiffen the assembly (**Figure 7**). Insert a biodegradable leaf bag or 30 gal. Heavy-Duty trash bag (supplied by the user) into each box, folding the top of the bag over the top edge of the box (**Figure 6**).

Tip: When using a lighter weight trash bag, insert the Bagger Box inside the trash bag to hold the bag down. Slide the Bagger Box out of the bag when full.

3. Place the nine (9) boxes into the Collector Box starting at the front and working toward the rear.

Tip: Installation is easier if the outside boxes are placed first in each row, followed by inserting the center box between them (**Figure 6**).

4. Replace the Rear Panel by re-hanging it on the pins protruding on the top corners and re-hook the six (6) Flexible Latches.

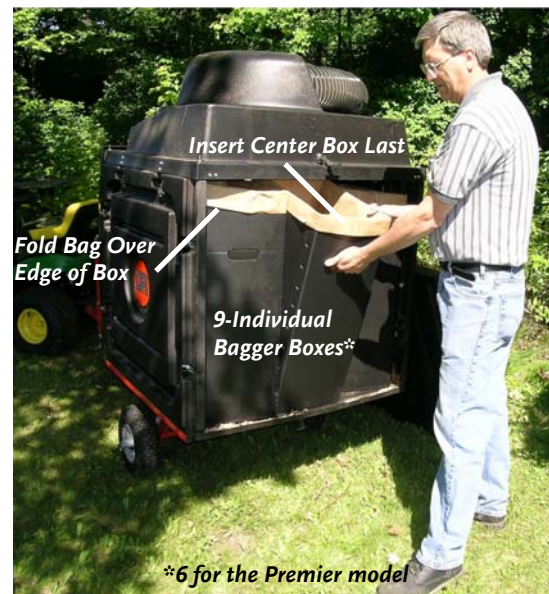


Figure 6



Figure 7

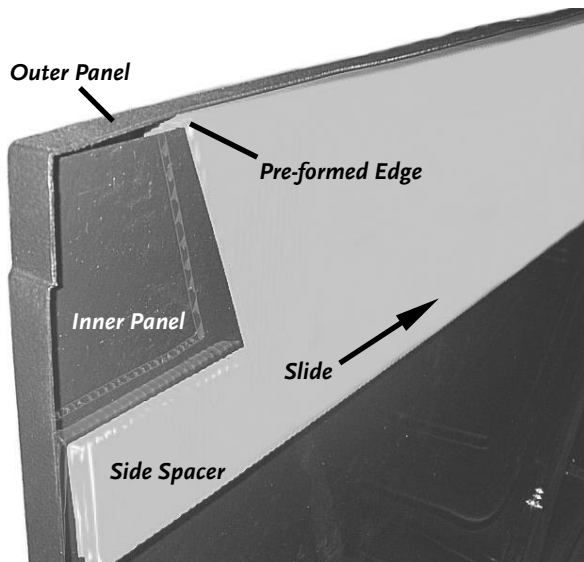


Figure 8

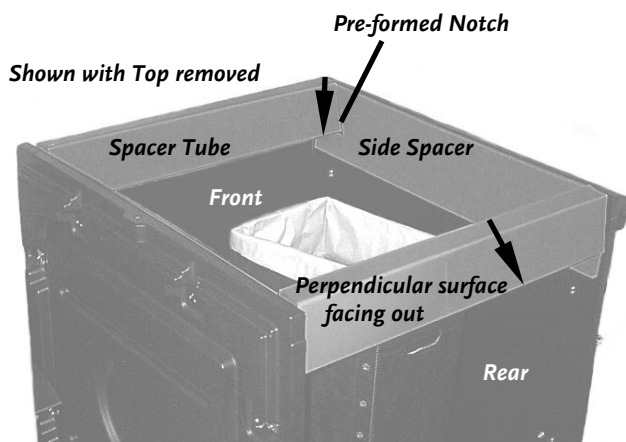


Figure 9

Premier model: (Kit No. 18795)

1. Remove the Rear Panel of the Collector Box by releasing the six (6) Flexible Latches and lift it off the pins protruding on the top corners.
2. Install the supplied **Bagger Spacers** inside the Collector Box by first releasing the Flexible Latches holding down the Centrifugal Separator (top).
3. Install a **side Bagger Spacer** on the left Side Panel of the Collector Box by inserting the formed edge of the **Spacer** in between the **inner and outer wall of the left Side Panel of the Collector Box (Figure 8)**.

Tip: Raise the **Centrifugal Separator (top)** just enough and **start at the back of the Collector Box left Side Panel, hooking the formed edge of the Bagger Spacer over the inner panel and in between the Outer Panel and Inner Panel, and sliding the Spacer along toward the front until the support is completely inside the Collector Box (Figure 8)**.

4. Repeat this procedure for installing a **side Bagger Spacer** on the right Side Panel.
5. Install a Bagger Spacer Tube in the front of the Collector Box by raising the Centrifugal Separator (top) just enough to insert **it** into the **Pre-Formed Notches in the left and right Bagger Spacers**. Note the shape of the **Spacer Tube; it will only go in one way. The outside surface of the Spacer Tube must be perpendicular to the Top (Figure 9)**.
6. Form the individual Leaf Bag Holders into boxes. Fold down the corners of the Bag Holder to stiffen the assembly (**Figure 7**). Insert a biodegradable leaf bag or 30 gal. Heavy-Duty trash bag (supplied by the user) into each box, folding the top of the bag (**Figure 6**) over the top edge of the box.

Tip: **When using a lighter weight trash bag, insert the Bagger Box inside the trash bag to hold the bag down. Slide the Bagger Box out of the bag when full.**

7. Place the six (6) boxes into the Collector Box starting at the front and working toward the rear.

Tip: **Installation is easier if the outside boxes are placed first in each row, followed by inserting the center box between them (Figure 6)**.

8. Install a Bagger Spacer Tube at the rear of the Collector Box by raising the Centrifugal Separator (top) just enough to insert it into the Pre-Formed Notches in the left and right Bagger Spacers. Again, note the shape of the Spacer Tube; it will only go in one way. **The outside surface of the Spacer Tube must be perpendicular to the Top (Figure 8)**.

9. Re-hook the Centrifugal Separator (top) Latches and replace the Rear Panel by re-hanging it on the pins protruding on the top corners, and then re-hook the six (6) Flexible Latches.

Installing and Using the Optional Mulch-Discharge Attachment (Kit No. 18791)

In addition to vacuuming and chipping with the DR LEAF and LAWN VACUUM, the system also allows you to discharge material for mulch in a specific area. This attachment is used in conjunction with the hand vacuum attachment. The vacuum attachment hose is used to vacuum the material out of the Collector Box.

WARNING!

BEFORE PERFORMING THIS PROCEDURE, STOP THE BLOWER ENGINE AND DISCONNECT THE SPARK PLUG WIRE.

1. Disconnect the Collector Box Inlet Hose from the Blower Exit Elbow Assembly by releasing the two (2) Flexible Latches (**Figure 10**).
2. Push the Collector Box Inlet Hose behind the Blower Exit Elbow (**Figure 11**), connect the Mulch – Discharge Hose to the Blower Exit Elbow, and secure in place with the two (2) Flexible Latches (**Figure 11**).
3. Disconnect the Blower Inlet Hose from your lawn tractor Hose Adapter (**Figure 2** on page 4) and connect the Hand Vacuum Hose to the Blower Inlet Hose (**Figure 3** on page 4).
4. Remove the Rear Panel of the Collector Box.
5. Direct the Mulch-Discharge hose in the selected area to receive the material (**Figure 12a**), start the engine and adjust the Throttle to Fast (Rabbit).

Tip: Avoid dragging the Mulch-Discharge and Vacuum Hoses over curbs, stonewalls, or piles of cut branches. The hoses are tough, but can puncture on sharp objects.

Tip: You may want to place stones beside the end of the hose to position and direct the discharge.

6. Vacuum out the Collector Box using the Hand Vacuum Attachment (**Figure 12b**).

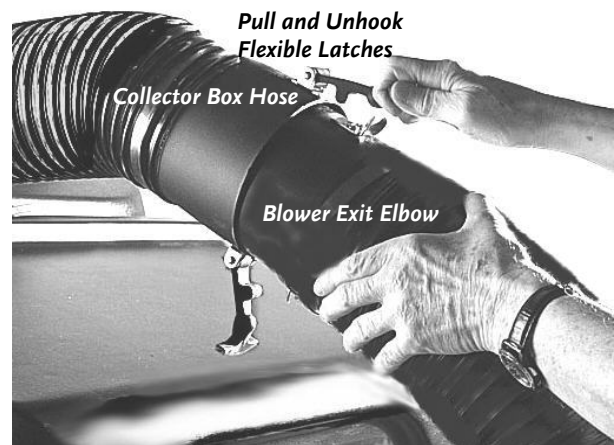


Figure 10

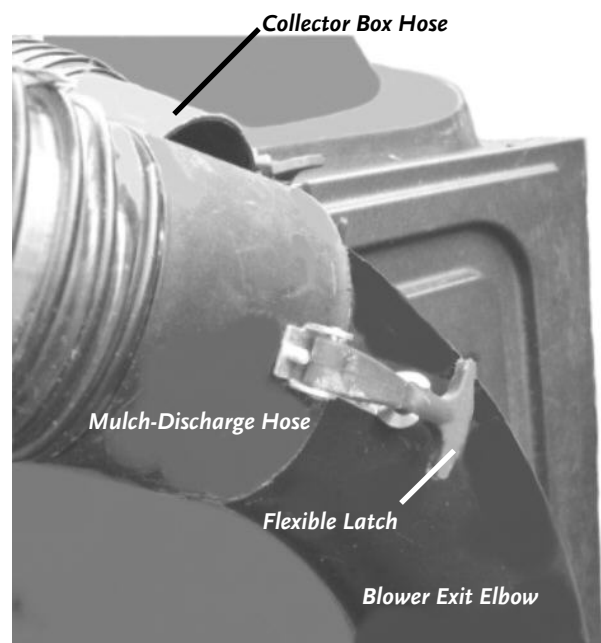


Figure 11

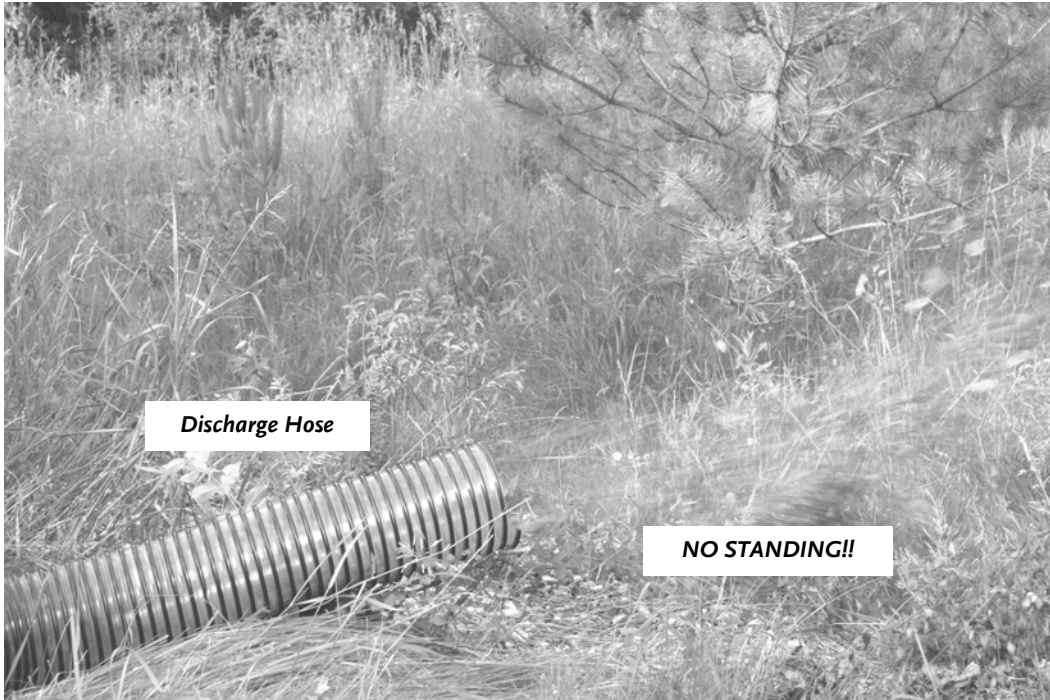


Figure 12a

! WARNING!

DO NOT STAND OR ALLOW PEOPLE OR PETS NEAR THE DISCHARGE OPENING. MATERIAL EXITS FROM THE HOSE AT A HIGH RATE AND COULD CAUSE INJURY.



Figure 12b

Installing the Optional Universal Lawn Deck Adapter (Kit No. 21168)

The design of the DR Universal Lawn Deck Adapter is adaptable to a variety of Mower Decks as found on the various makes of tractors and mowing machines.

The intent of the information provided here is to show a typical method for obtaining measurements and determining shapes and contours for proper fitting of the unit to your machine. Your particular machine may require slightly different or additional operations to obtain the best fit.

WARNING!

- **TURN OFF THE IGNITION AND/OR REMOVE THE SPARK PLUG WIRE(S) ON YOUR MOWER BEFORE STARTING THIS PROCEDURE.**
 - **BE SURE TO STABILIZE YOUR MACHINE ON FLAT TERRAIN AND APPLY THE PARKING BRAKE BEFORE STARTING THIS PROCEDURE.**
 - **ALWAYS WEAR EYE PROTECTION WHEN CUTTING OR DRILLING WITH POWER TOOLS.**
-

Kit Parts List:

- Universal Deck Adapter
- 7" to 6" Hose Adapter
- Template Wire
- Hinge Hardware:
 - (2) Hinge Brackets
 - (1) Hinge Pin w/two (2) Push Nuts
 - (1) Bracket Plate
 - Mounting Bolts and Nuts
- Instruction Sheet

Tools Needed:

- Jig Saw
- Pencil or Fine Tipped White Marker
- 1/2" Wrench or Socket
- Electric Drill w/1/4" and 3/8" Drill Bits
- Pliers
- Scissors or Utility Knife
- C-Clamps or Spring Clamps
- Masking tape
- Straight Edge
- Tape Measure
- Square, Adjustable
- File, Sand Paper or De-Burring Tool

1. Before proceeding with the installation, familiarize yourself with the Parts, and the illustrations of the Universal Lawn Deck Adapter as shown in **Figure 13**.
2. Thoroughly clean the exposed area of your Mower Deck so that it may be easily marked.
3. Remove the Hinge Pin from your Mower Deck Mounting Bracket (**Figure 14**) and remove the Discharge Chute, Springs, and related parts from your Mower Deck. Do not remove the Mounting Bracket. (See *Reference Line instruction below*). Save these parts for future use should you decide to return your Lawn Mower Deck to its original configuration.

NOTE: You may wish to remove the Mower Deck from your Mower and place it on a bench at a comfortable work height for these procedures.

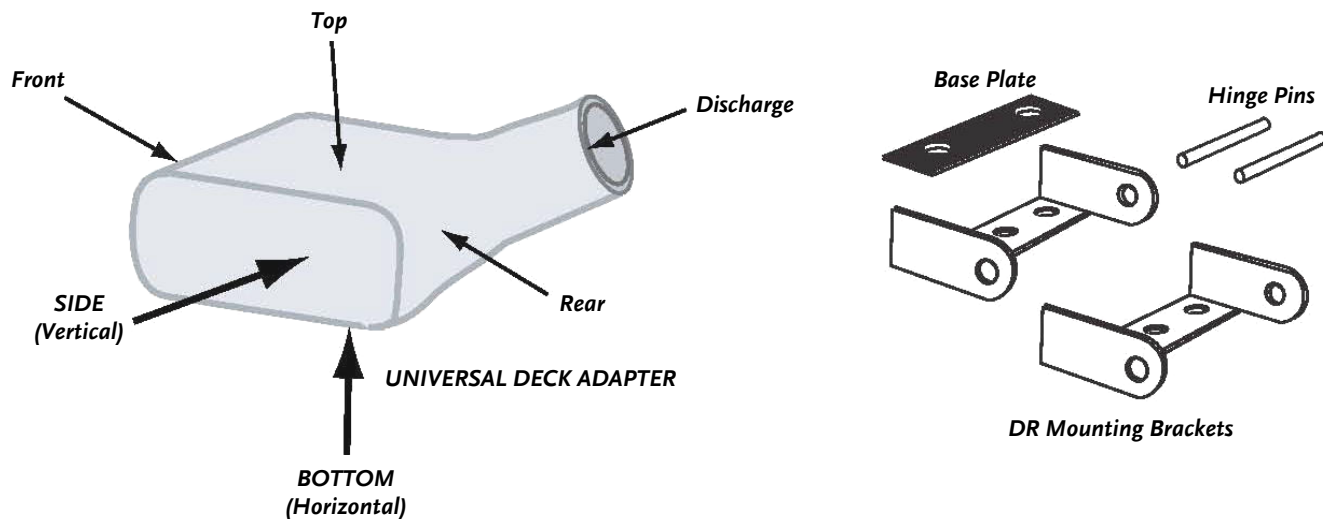


Figure 13

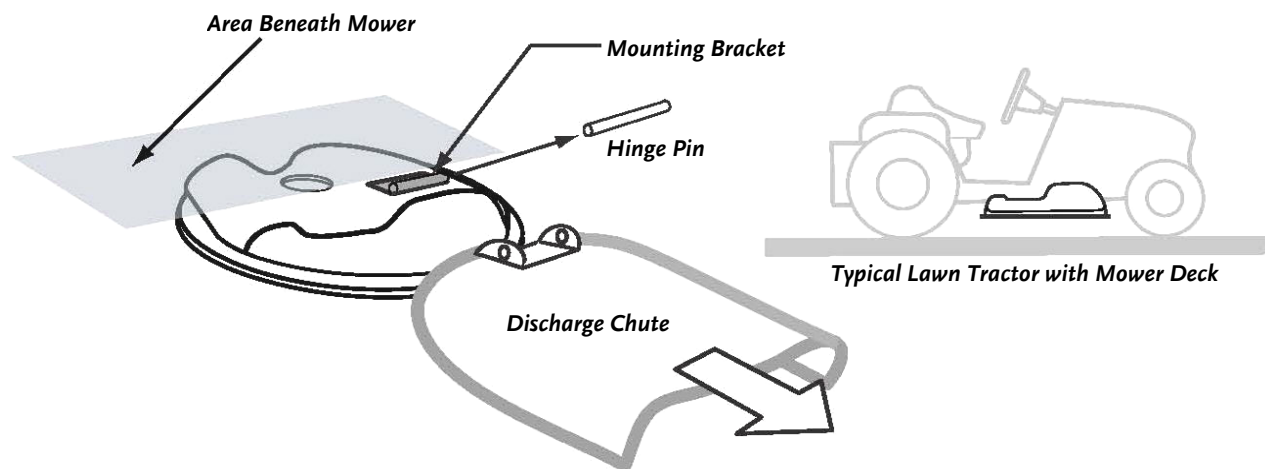


Figure 14

Installing Your Deck Adapter

The following outlines the *typical steps* necessary for installing a Universal Lawn Deck Adapter to your Lawn Tractor. The procedure requires patience, around two (2) hours to complete, and skill working with a Jig Saw to match contours.

1. Establish a Reference Line.

Figure 15 shows the typical location of a Reference Line on your Mower Deck. The location of this line is determined by finding a position that allows the Universal Lawn Deck Adapter to cover the entire Mower Deck opening (**Figure 15**) and provides clearances for the Hose and Hose Adapter when operating. This will vary depending upon the make and model of your machine. Frequently it is located in line with your Mower Deck Mounting Bracket.

- Place a Straight Edge against the front of the Mounting Bracket and clamp it in place (**Figure 16**). Lightly draw a Reference Line as shown in **Figure 15**.
- Place a Square on the Straight Edge (**Figure 17**) and determine if the side of the Universal Deck Adapter would cover the Discharge Opening if it were located there. If not, locate the proper point and transfer that location to the top of your Mower Deck. Re-locate the Mounting Bracket to that position if necessary; keeping it parallel to the Reference Line. This will become the Reference Line for making the template.
- Measure the Height (**Figure 18**) from the bottom to the top of the Mower Deck at the Reference Line. Make a note of it here as **HEIGHT A** _____.
- Then measure the Height from the bottom of the Chute to the lowest point along the Reference Line at the opposite side. Make a note of it here as **HEIGHT B** _____.

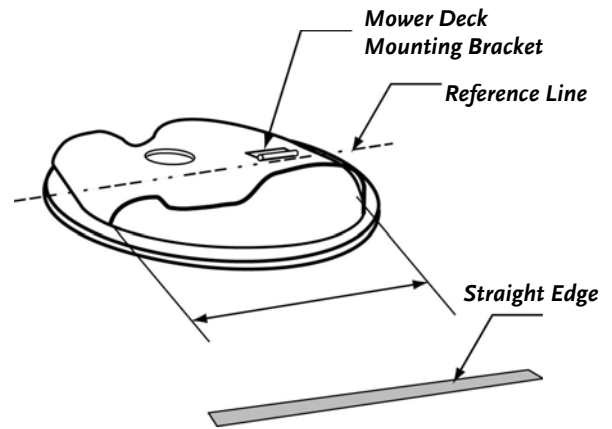


Figure 15

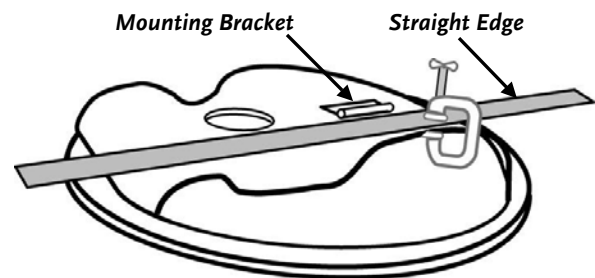


Figure 16

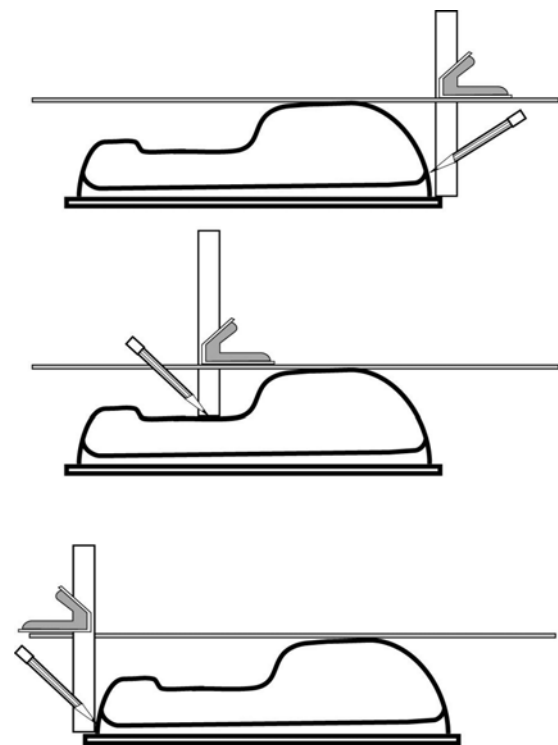


Figure 17



Figure 18

2. Make the vertical (side) Template.

- a) Place the Straight Edge against the edge of the Mounting Bracket and clamp it in place (**Figure 16** on page 12).
- b) Draw a line across the top of your Mower Deck. Using the Square, extend the line down the sides at each end (**Figure 17** on page 12). Extending the Square from the Straight Edge to the contours can make more Reference Line points.

NOTE: Before using the Template Wire, it is helpful to straighten it. Clamp one end of the Wire in a vise and, using pliers, pull the Wire to remove irregularities.

- c) Clamp one end of the Template Wire at the side of the Discharge Chute (**Figure 19**) where you marked the vertical Reference Line.
- d) Now press the Wire tightly down against the contours of your Mower Deck, following the Reference Line points to the opposite side (**Figure 19**). It is best to tape the Wire in place at various points to maintain position as you bend.
- e) After you form the wire down to the Base Line, cut off the surplus wire.
- f) Cut the tape holding the Template Wire in place and carefully remove the Template Wire from the Chute. You will use the formed Wire to transfer the contours of the Discharge Chute to the Template.

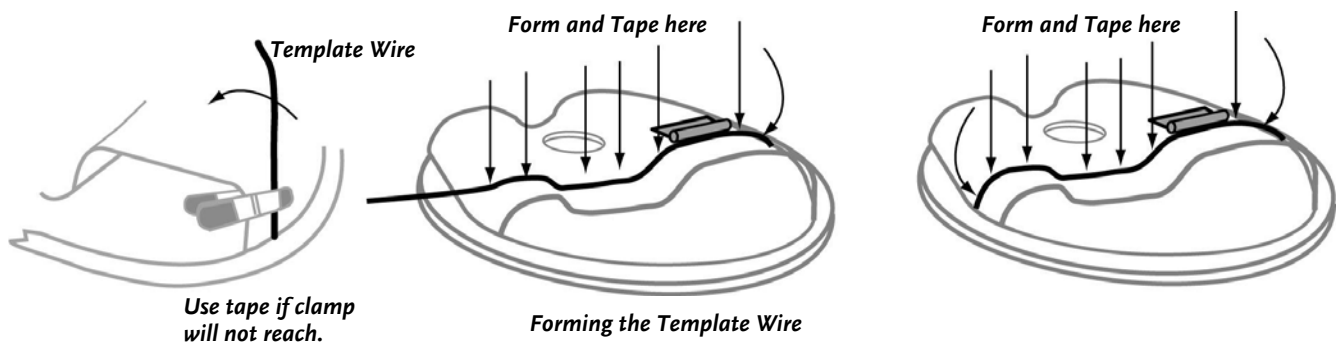


Figure 19

- g) Place the formed Template Wire loosely against the Mower Deck along the Reference Line and check to be certain it follows the contours.
- h) Cut two (2) Template Boards (**Figure 20**) from the Kit corrugated Shipping Carton. One should be large enough to cover the entire side (vertical) of the Universal Deck Adapter and the other should cover the bottom (horizontal) area that will be cut from the Universal Deck Adapter.

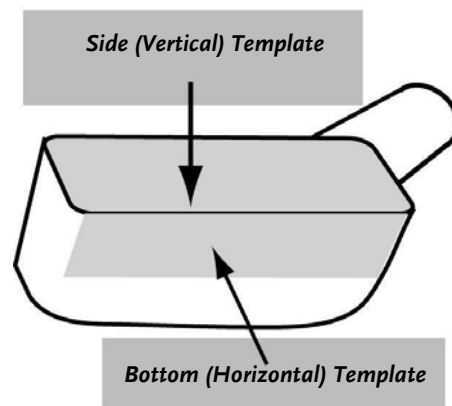


Figure 20

- i) Place the Universal Deck Adapter on its side (**Figure 21**) on the Template Board. Trace the outline and cut the board to the outline. Make note of the Front and Bottom on the Template Board.
- j) Draw a line 1/2" from the bottom edge of the Template Board (**Figure 22**). This represents the bottom of the Discharge Chute or Baseline.
- k) Using **HEIGHT A** from Step c) on page 12, draw a horizontal line across the Template at the **A** Height above the baseline. Do the same for **HEIGHT B** at the rear of the Template. These lines will insure that your Wire Template in the next step will be horizontally accurate.
- l) Center the formed Wire (right and left) on your Template Board (**Figure 23**), and bring the formed Wire to the horizontal **HEIGHT A** and tape it to prevent movement. Repeat the process for the **B HEIGHT** at the rear edge of the Template Board and tape it in place.
- m) Tape the front and rear ends of the Wire and then trace the contour of the Wire on to the Template Board (**Figure 23**).
- n) Remove the wire and cut the contour out of the Template Board (**Figure 24**).

NOTE: *Before tracing the Template contour directly on the Universal Deck Adapter, it is best to try fitting the cut Template to your Mower Deck to note any problems. This will reveal minor fit problems, particularly in the area near the bottom of the Discharge Chute where flanges and other transitions occur. Cut and tape to modify the template as needed to accept these subtle contour changes. Apply the adjusted template to the Universal Deck Adapter (**Figure 25**) and trace the final contour.*

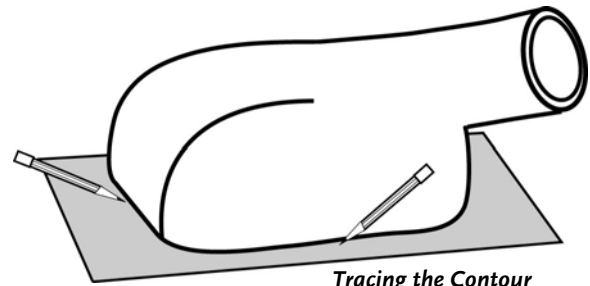


Figure 21

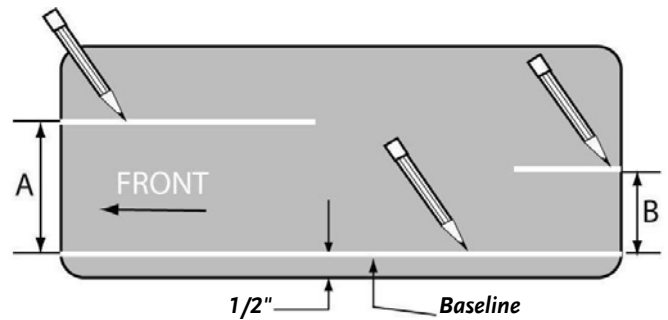


Figure 22 Template Cut to Shape and Marked

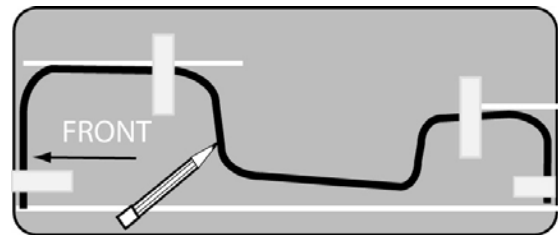


Figure 23

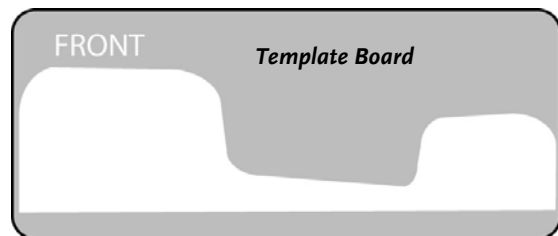


Figure 24

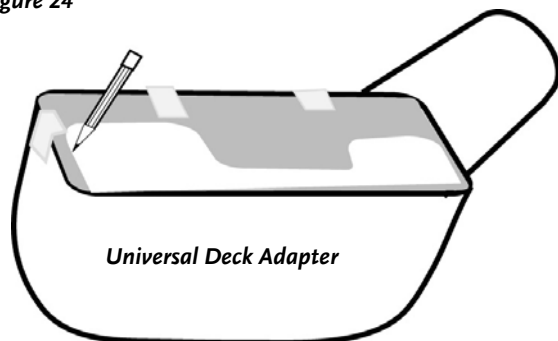


Figure 25

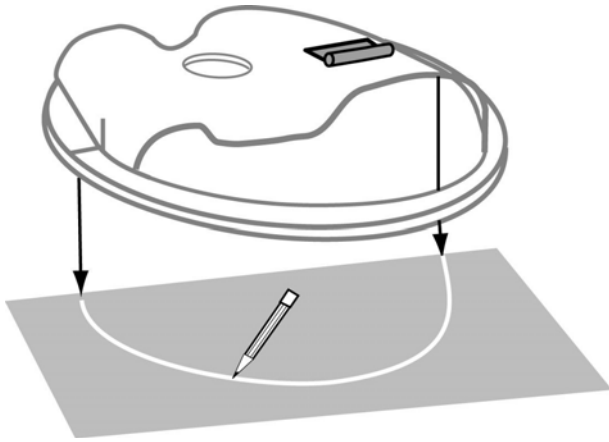


Figure 26

3. Make the horizontal (bottom) Template.

- a) Using the vertical Reference Lines (**Figure 17** on page 12), place the Template Board beneath the Discharge Chute with the leading edge aligned to the Reference Lines (**Figure 26**) and centered right to left.
- b) Clamp the Template Board in place and trace the outer edge of the Discharge Chute on to the Template Board (**Figure 26**).
- c) Cut the outline from the Template Board. Center the Template Board to match the Discharge Opening that you traced on the side, tape it in place, and trace the contour (**Figure 27**) on to the Universal Deck Adapter. Your finished markings should look similar to those in (**Figure 28**). Note how the two (2) patterns match at the common edge.

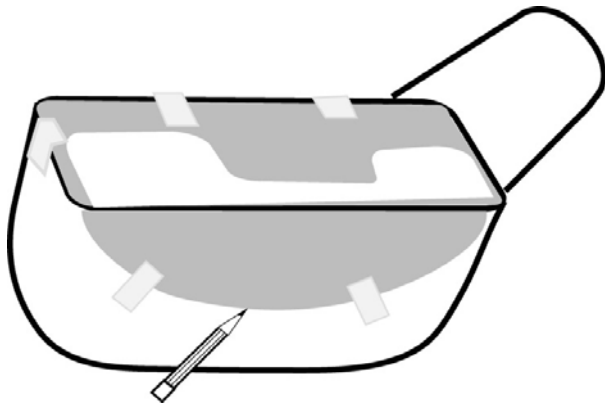
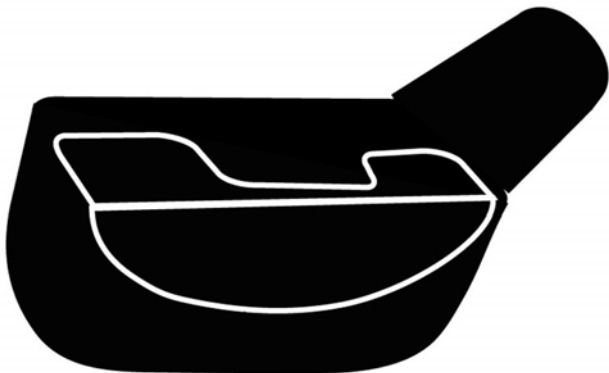


Figure 27



Completed Template Contours on Deck Adapter

Figure 28

4. Cut the Universal Deck Adapter.

- a) Drill a Pilot Hole (**Figure 29**) near the Contour Line.
- b) Insert the Blade of the Jig Saw and carefully cut along the contours until the piece is free from the Universal Deck Adapter (**Figure 30**). Clean the burrs from the cut line.
- c) The corners of the Universal Deck Adapter opening where the side and bottom contours meet may require minor adjustments for a final fit. Hold the Universal Deck Adapter in place on your Mower Deck and note any problem areas. Using the marker, draw Reference Lines at the front and back for revision. Remove the unwanted material using the Saw or a File. It is best to cut in small amounts and repeat to achieve the fit.

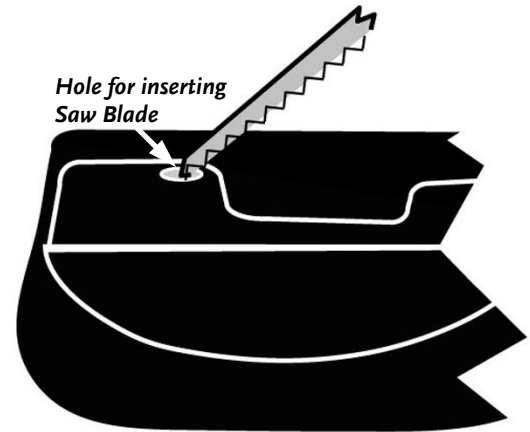


Figure 29

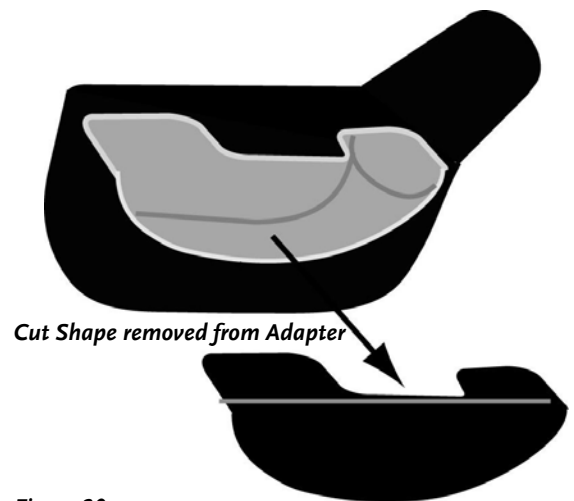


Figure 30

5. Modify the Hinge Plate.

Because of the variations in Mower Decks designs, modifications may be required to the hinge installation to achieve proper alignment between the Universal Deck Adapter hardware and your Mower Deck hardware. Note the two (2) examples shown in (**Figure 31**).

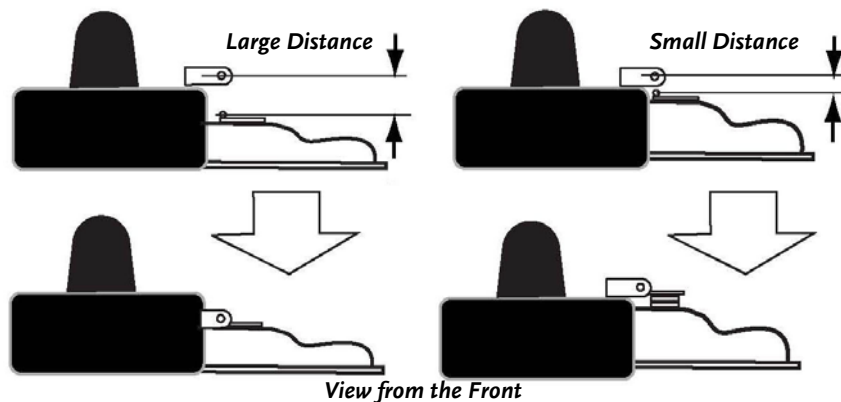


Figure 31

Large Distance

1. Internal Mount

- a) Slot the Universal Deck Adapter (**Figure 32**) to receive the Hinge Plate Arms. You can do this by drilling 1/4" holes at the top and bottom of the slot locations and inserting the Saw Blade into the hole to remove the remaining material or cutting directly from the edge of the contour.
- b) Shims (**Figure 32**), made by tracing the outline and hole locations of the Bracket Plates or Mower Deck Hardware onto a piece of material that was cut out of the Universal Deck Adapter, are then placed beneath the hardware to bring it to level.
- c) The Universal Deck Adapter Hinge with appropriate shimming, is inserted into the slots and then bolted to the under side of the Universal Deck Adapter (**Figure 32**) with the Backing Plate mounted externally.

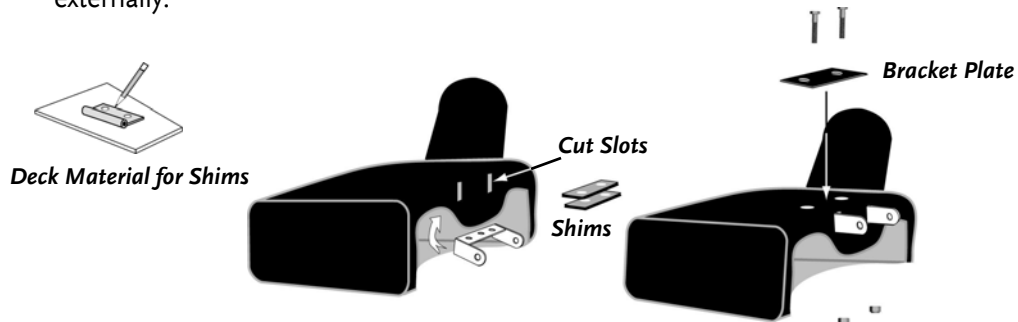


Figure 32

2. External Mount

You can also mount the Universal Deck Adapter Hinge Plate on top of the Universal Deck Adapter (**Figure 33**).

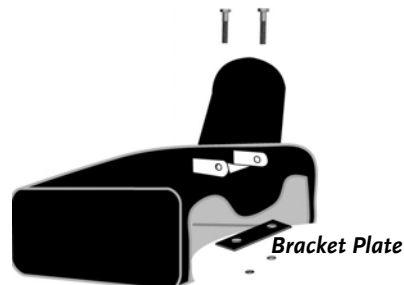


Figure 33

Small Distance

We suggest shimming your Mower Deck Hardware as in the External Mounting above. **Figure 34** shows sectional views of various hardware installations and typical shimming to achieve common heights.

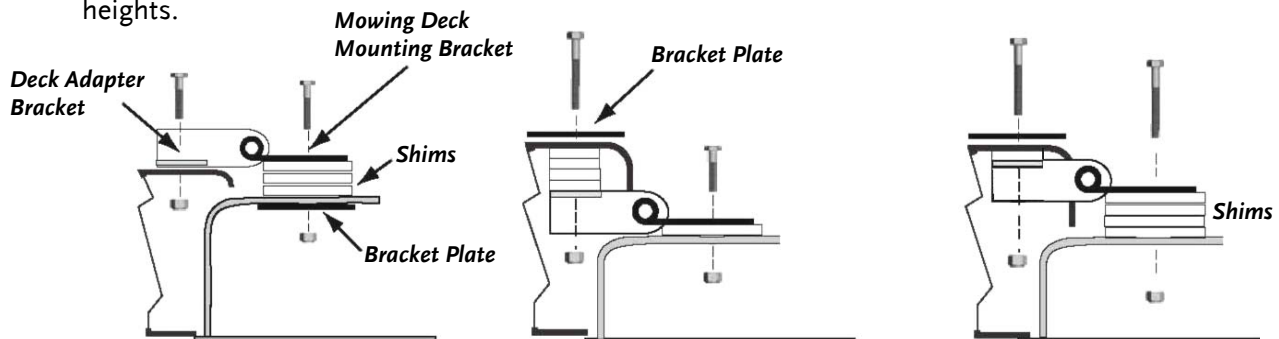


Figure 34

6. Hinge Assembly

The Hinge hardware supplied with your Universal Deck Adapter accommodates a variety of hinge widths as supplied by various manufacturers. **Proper assembly is important.** During use, the assembled hinge will look as shown in (Figure 35). The force of the forward movement of the tractor holds the Mower Deck Mounting Bracket toward the front of the assembly while in motion.

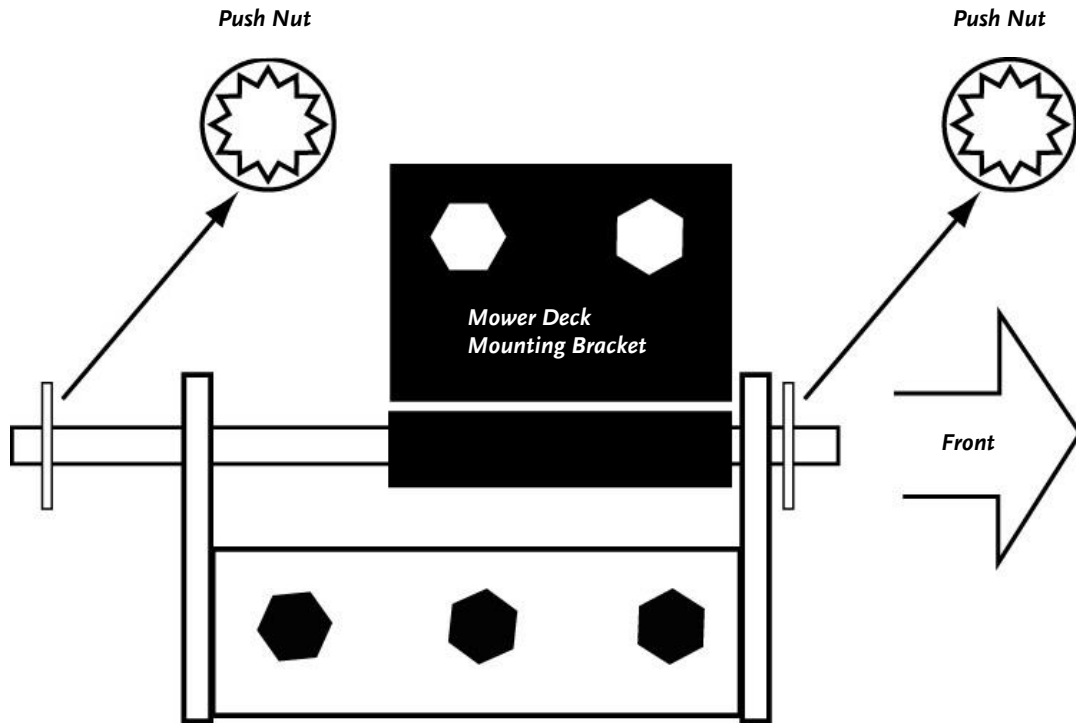


Figure 35

7. Install the Lawn Deck Hose Adapter.

- a) Slip the supplied Hose Adapter over the cut end of your Lawn Deck Adapter, until they make contact.
- b) Position the assembly beside your Tractor and rotate the Hose Adapter so that the Hose Latches will be located with one on top and one on the bottom of the Adapter (**Figure 36**).
- c) Drill a 3/8" hole through the Hose Adapter and Lawn Deck Adapter Exit Tube at a predrilled hole in the Hose Adapter (**Figure 36**) and secure the Adapter in place with a 5/16" Bolt, Nut and Washer by inserting the Bolt through the drilled hole from the inside the Adapter tube.

NOTE: Attach the Washer and Nut on the outside of the Adapter tube, thus preventing debris from collecting on the retaining hardware (**Figure 36**).

- d) Repeat Step e) two (2) more times as shown, around the Hose Adapter (**Figure 36**).

NOTE: There are two (2) holes provided in the Hose Adapter as guides. For ease of assembly, drill the third hole on top of the Hose Adapter.

- e) Tighten the Nuts with a 1/2" Wrench or Socket. Be careful not to over tighten and damage the Hose Adapter.
- f) Re-install the Lawn Deck Adapter.



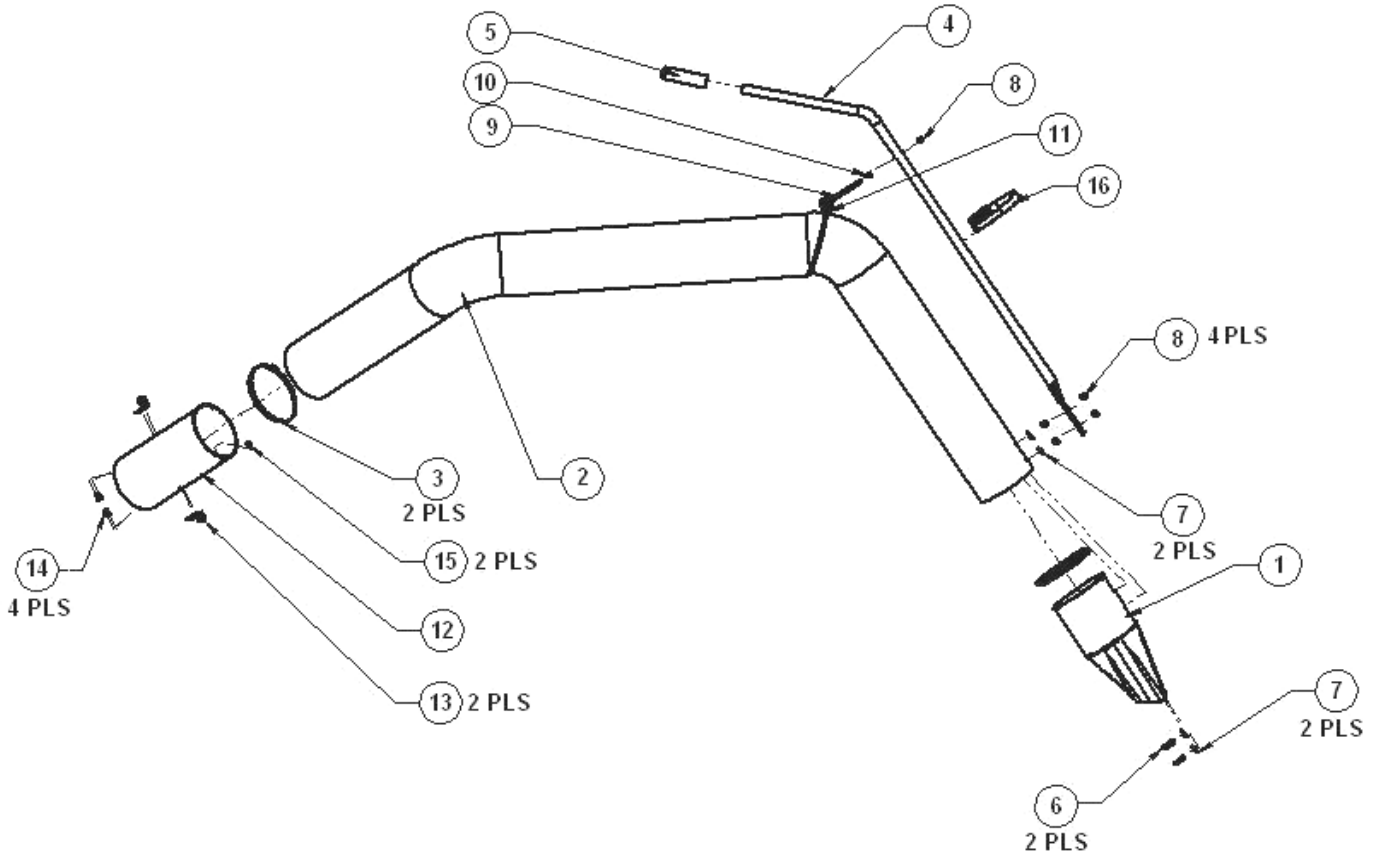
Figure 36

PARTS LISTS AND SCHEMATIC DIAGRAMS***Parts List - Hand Vacuum Hose Assembly (Kit No. 18789)***

NOTE: Part numbers listed are available through Country Home Products.

Ref#	Part#	Description
01	188991	Nozzle
02	188741	Hose, Vacuum, 14 FT.
03	186961	Clamp, Hose, 6"
04	187421	Handle
05	150471	Grip, 1"
06	111581	Bolt, HCS, 5/16"-18 x 1"
07	112411	Washer, Flat, 5/16" USS
08	110761	Nut, Nylon Lock, 5/16"-18
09	109161	Bolt, Eye, 5/16"-18 x 3"
10	110691	Nut, 5/16"-18, ZP, GR2
11	127971	Tie, Cable, 15"
12	186761	Coupling
13	189441	Keeper, Draw Latch, 4"
14	189291	Rivet, Blind, Alum., 3/16" Dia. x .312"
15	164141	Rivet, Blind, Alum., 3/16" Dia. x .1875"
16	187001	Handle, Vacuum

Schematic Diagram - Hand Vacuum Hose Assembly

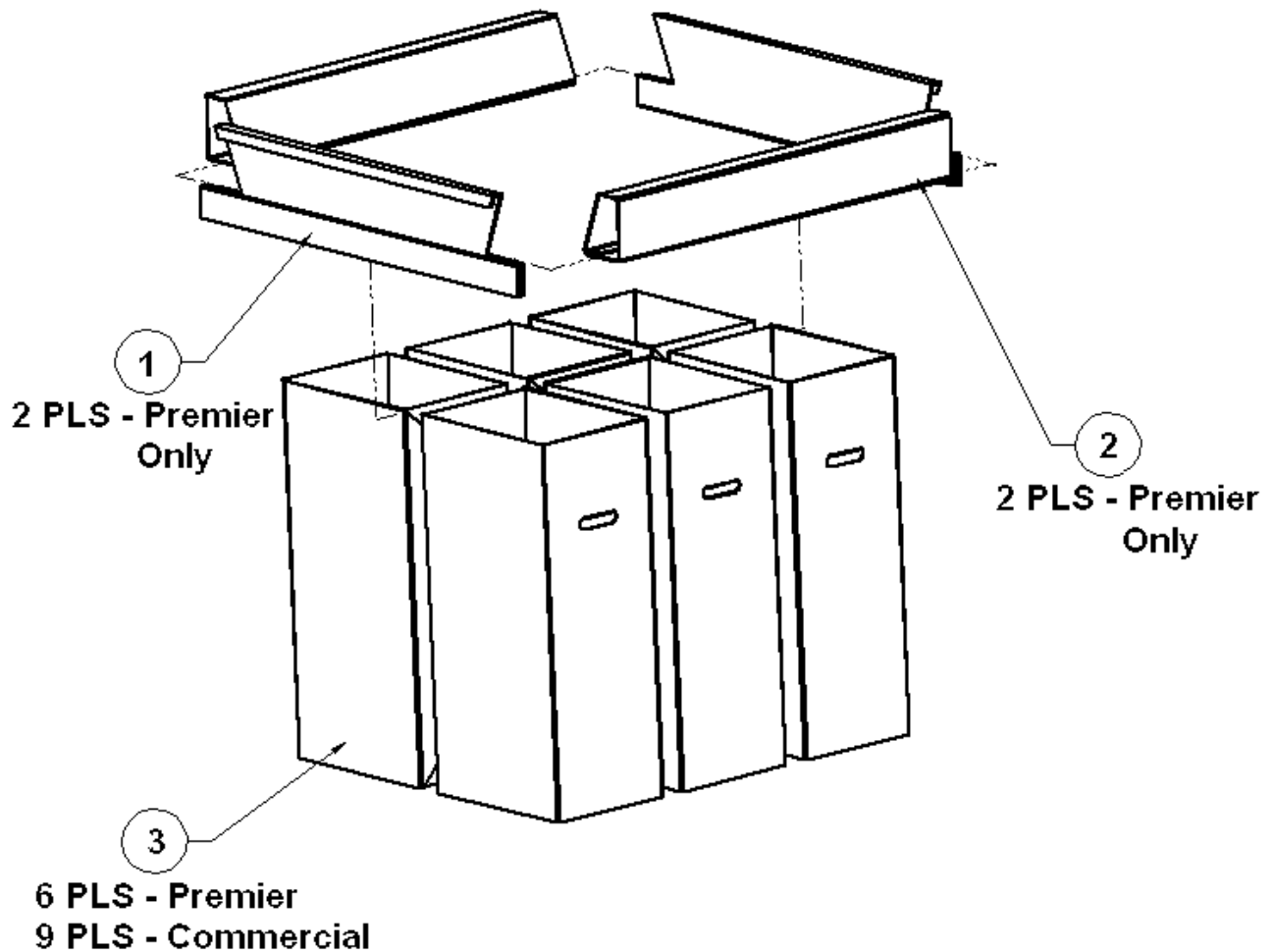


Parts List - Bagging Accessory (Kit # 18796 Commercial, # 18795 Premier Model)

NOTE: Part numbers listed are available through Country Home Products.

Ref#	Part#	Description
01	187851	Spacer, Bagger, Side, R/L
02	187841	Spacer, Bagger, Tube, F/R
03	187661	Holder, Leaf Bag

Schematic Diagram - Bagging Accessory

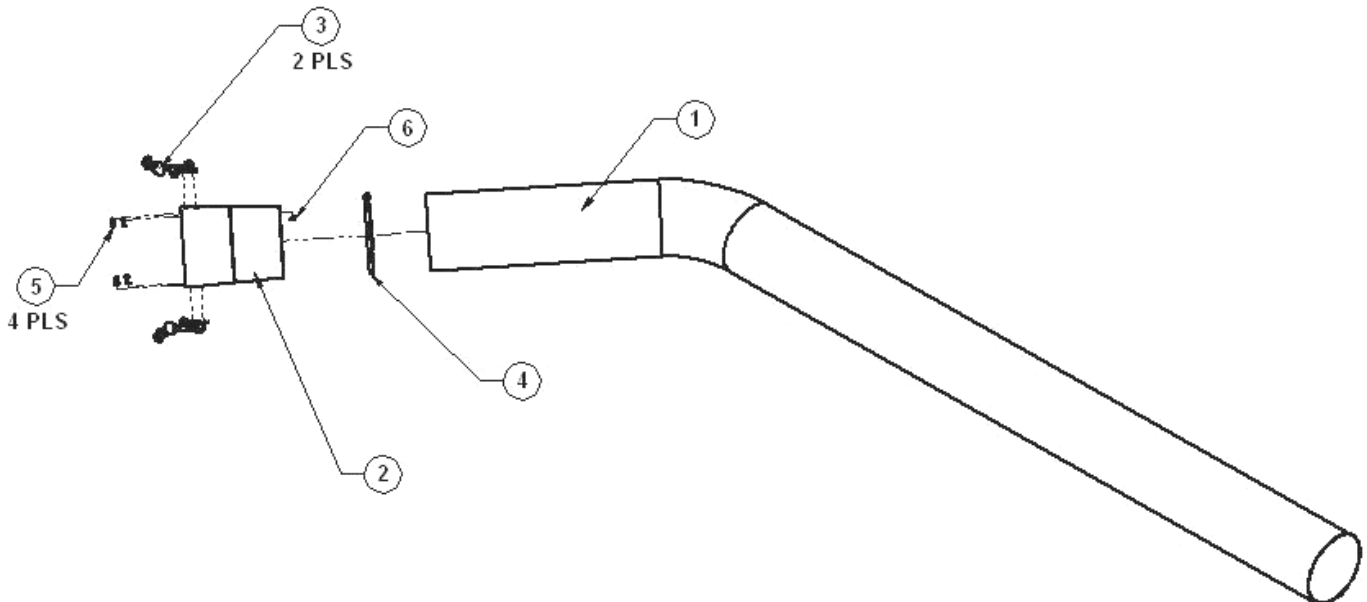


Parts List - Mulch-Discharge Hose (Kit No. 18791)

NOTE: Part numbers listed are available through Country Home Products.

Ref#	Part#	Description
01	186741	Hose, Discharge, 17 FT
02	186771	Adapter, Male/Female, 6"
	191951	Coupling, Hose, Male, 6"
03	186731	Latch, Draw
04	186961	Clamp, Hose, 6"
05	189291	Rivet, Blind, Alum., 3/16" Dia. x .312"
06	164141	Rivet, Blind, Alum., 3/16" Dia. x .1875"

Schematic Diagram - Mulch-Discharge Hose



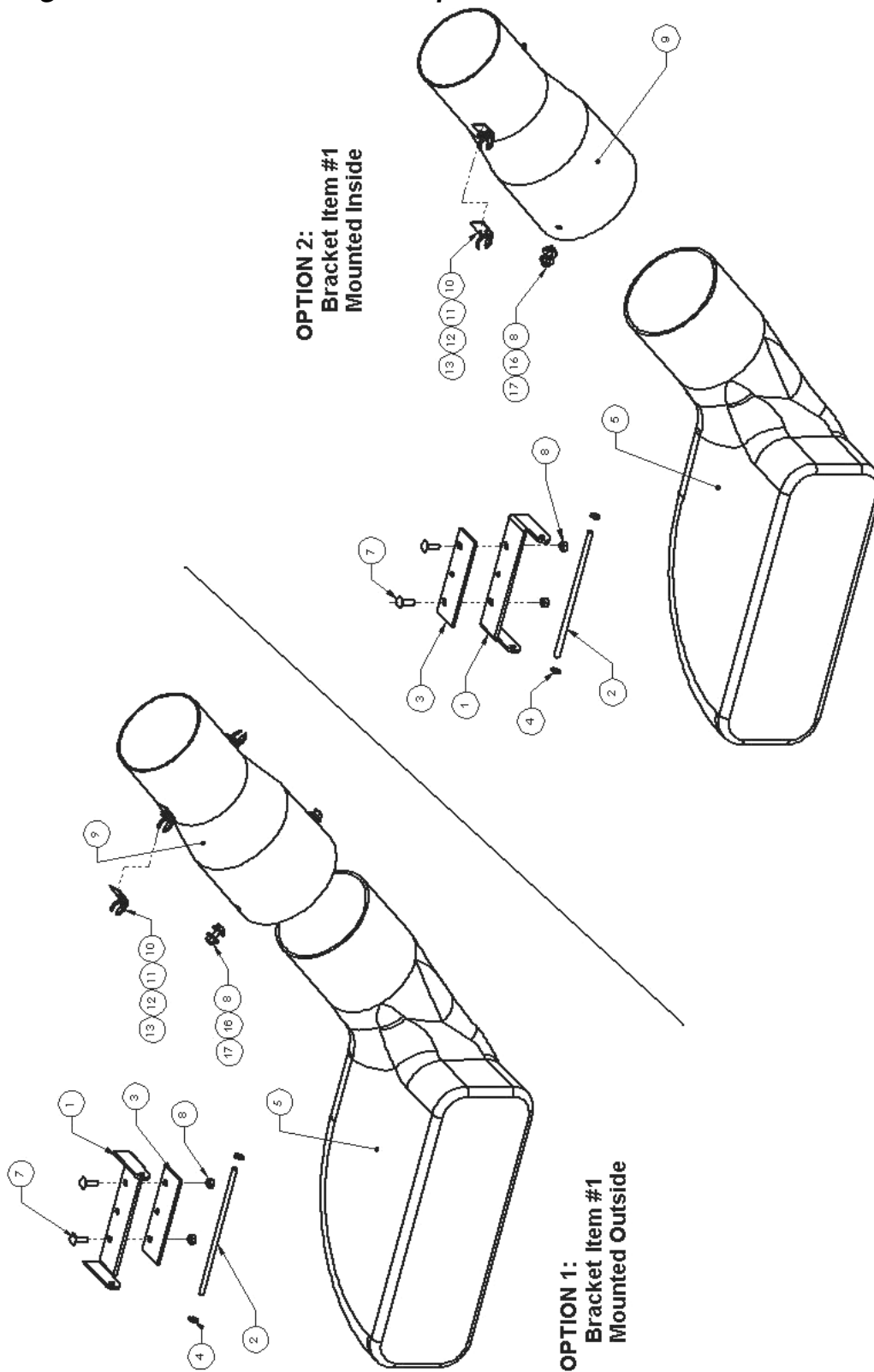
Parts List - Universal Lawn Deck Adapter (Kit No. 18794)

NOTE: Part numbers listed are available through Country Home Products.

Ref#	Part#	Description
01	187271	Bracket, Mounting, Discharge
02	187301	Pin, Hinge, Mounting Bracket
03	187291	Base, Mounting Bracket
04	157321	Nut, 5/16", Push
05	192651	Adapter, Universal Deck
07	109131	Bolt, Carriage, 5/16"-18 x 1-1/2"
08	110761	Nut, Nylon Lock, 5/16"-18
09	186781	Adapter, Hose, 6-7", Male, R/C
10	189441	Keeper, Draw Latch, 4"
11	114781	Screw, Pan Head, 10-24 x 5/8"
12	118731	Nut, Nylon Lock, 10-24
16	111581	Bolt, 5/16"-18 x 1" HCS
17	112411	Washer, Flat, 5/16" USS
	213531	Wire, Template Forming (not shown)

NOTE: An additional Mounting Discharge Bracket (187271), two (2) Bolts (109131), and two (2) Nylon Lock Nuts (110761) have been included for your convenience in installing the Universal Deck Adapter to your mower.

Schematic Diagram - Universal Lawn Deck Adapter



Notes

Notes

Daily Checklist for the DR LEAF and LAWN VACUUM

To help maintain your DR LEAF and LAWN VACUUM for optimum performance, we recommend you follow this checklist each time you use your machine.

- [] OIL: With the machine on a level surface, remove the oil fill cap and check the oil level. Fill the reservoir according to the dipstick with SAE 30 HD motor oil. See page 25 of the *Safety & Operating Instructions* for your DR LEAF and LAWN VACUUM.
- [] GAS: Fill the gas tank with fresh, unleaded gasoline.
- [] ENGINE: It is very important to keep the engine clean. Remove dirt and other debris from the engine cooling fins and debris guard. A dirty engine retains heat and can cause damage to internal engine components.
- [] HARDWARE: Check all nuts and bolts to be sure that the components are secure.
- [] FRAME: Check all welds to be sure that the frame is in tact and secure.
- [] BLOWER HOSES: Inspect the blower hoses for holes, frayed, worn, kinked, or abraded areas. Replace any damaged or worn hoses.



COUNTRY HOME PRODUCTS, Inc.

MEIGS ROAD, P.O. BOX 25, VERGENNES, VERMONT 05491

1-800-DR-OWNER (376-9637) • www.dr-owner.com

©2006 CHP, Inc. 189651D