

# DR<sup>®</sup> 48" 3PT CULTIVATOR



## SAFETY & OPERATING INSTRUCTIONS



Serial No. \_\_\_\_\_

Order No. \_\_\_\_\_

**Original Language**

DR Power Equipment  
Toll-free phone: 1-800-DR-OWNER (376-9637)  
Fax: 1-802-877-1213  
Website: [www.DRpower.com](http://www.DRpower.com)

### **WARNING**

Read and understand this manual and all instructions before operating the DR 48" 3PT CULTIVATOR.

Thank you very much for choosing this product! For future reference, please complete the owner's record below:

Serial Number: \_\_\_\_\_

Order Number: \_\_\_\_\_

Purchase Date: \_\_\_\_\_

Save the receipt, the warranty, and these instructions. It is important that you read the entire manual to become familiar with this product before you begin using it.

This product is designed for certain applications only. The manufacturer cannot be responsible for issues arising from modification. We strongly recommend that this product not be modified and/or used for any application other than that for which it was designed. If you have any questions relative to a particular application, DO NOT use the product until you have first contacted us to determine if it can, or should, be performed on the product.

For technical questions, please Contact us at [www.DRpower.com](http://www.DRpower.com) or call 1-800-DR-OWNER (376-9637) for assistance.

## INTENDED USE

The 48" 3 pt. Cultivator is the perfect tool for cultivating your soil. This cultivator has a working width of 48" to allow for fast and efficient work. It is designed with seven heavy-duty shovels measuring 7.6" x 1.36" each and effectively cuts through your soil for ideal cultivation. You can easily attach and use this hassle-free cultivator with your Category 1 tractor.

## TECHNICAL SPECIFICATIONS

Item	Description
Coverage	48" working width
Shovel Qty.	7
Shovel Size	7.6" x 1.36"
Hitch Style	Fits Category 1 tractors, 40HP Max

## GENERAL SAFETY RULES



**WARNING:** Read and understand all instructions. Failure to follow all instructions listed below may result in serious injury.



**CAUTION:** Do not allow persons to operate or assemble this Cultivator until they have read this manual and have developed a thorough understanding of how the Cultivator works.



**WARNING:** The warnings, cautions, and instructions discussed in this instruction manual cannot cover all possible conditions or situations that could occur. It must be understood by the operator that common sense and caution are factors that cannot be built into this product, but must be supplied by the operator.

## SAVE THESE INSTRUCTIONS

## WORK AREA

- **Keep work area clean**, free of clutter, and well lit. Cluttered and dark work areas can cause accidents.
- **Keep children and bystanders** away while operating a Cultivator. Distractions can cause you to lose control, so visitors should remain at a safe distance from the work area.
- **Be alert of your surroundings.** Using a Cultivator in confined work areas may put you dangerously close to sharp tools and rotating parts.

## PERSONAL SAFETY

- **Stay alert**, watch what you are doing, and use common sense when using a Cultivator. Do not use a Cultivator while you are tired or under the influence of drugs, alcohol, or medication. A moment of inattention while operating a Cultivator may result in serious personal injury.
- **Dress properly.** Do not wear loose clothing, dangling objects, or jewelry. Keep your hair, clothing, and gloves away from moving parts. Loose clothes, jewelry, or long hair can be caught in moving parts.
- **Use safety apparel and equipment.** Use safety goggles or safety glasses with side shields that comply with current national standards or, when needed, a face shield. Use a dust mask if working in dusty work conditions. This applies to all persons in the work area. Also use non-skid, safety shoes, hard hats, gloves, dust collection systems, and hearing protection when appropriate.

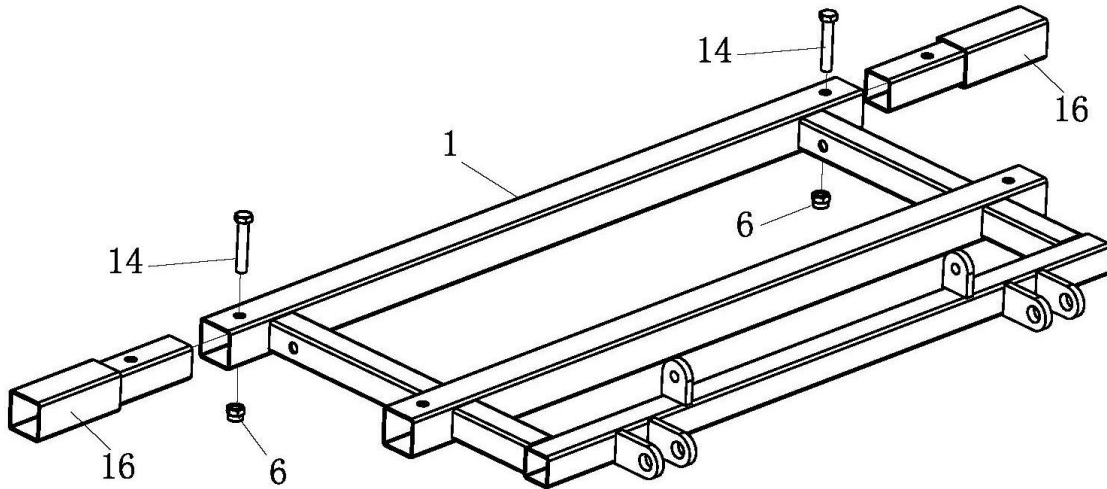
## CULTIVATOR USE AND CARE

- **Do not modify the Cultivator in any way.** Unauthorized modification may impair the function and/or safety and could affect the life of the equipment. There are specific applications for which the Cultivator was designed.
- **Always check for damaged or worn-out parts before using the Cultivator.** Broken parts will affect the Cultivator operation. Replace or repair damaged or worn parts immediately.
- **Do not exceed the Cultivator load capacity.**
- **Distribute the load evenly.** Uneven loads may cause the Cultivator to tip, resulting in personal injury to the operator or others.
- **Use the Cultivator on flat and level surfaces** capable of supporting the Cultivator and its maximum load. Pulling or pushing a load on a slanted or uneven surface can result in loss of control.
- **Store idle Cultivator.** When Cultivator is not in use, store it in a secure place out of the reach of children. Inspect it for good working condition prior to storage and before re-use.

## ASSEMBLY

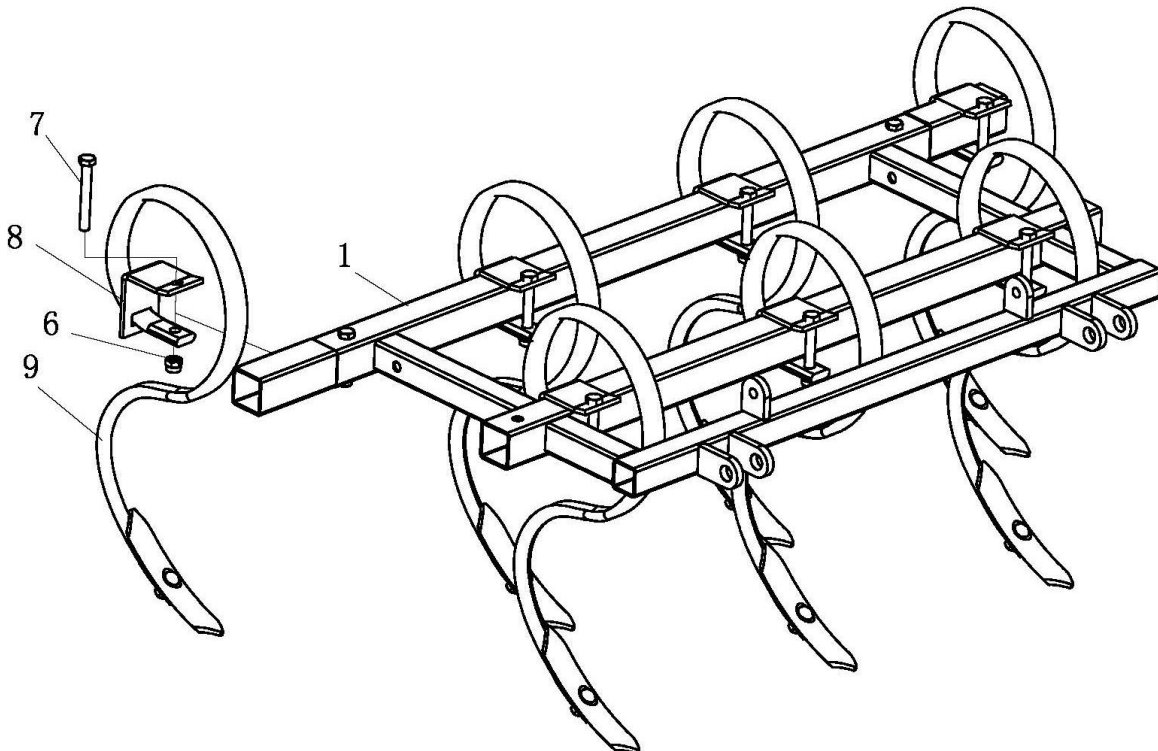
### Step #1:

Assemble the two Extension Tubes (#16) to the Frame (#1), using two M12 x 65 Bolts (#14) and two M12 Lock Nuts (#6).



### Step #2:

Assemble seven S-tines (#9) to the Frame (#1), using seven M12 x 90 Bolts (#7), seven S-tine Brackets (#8), and seven M12 Lock Nuts (#6).



Step #3:

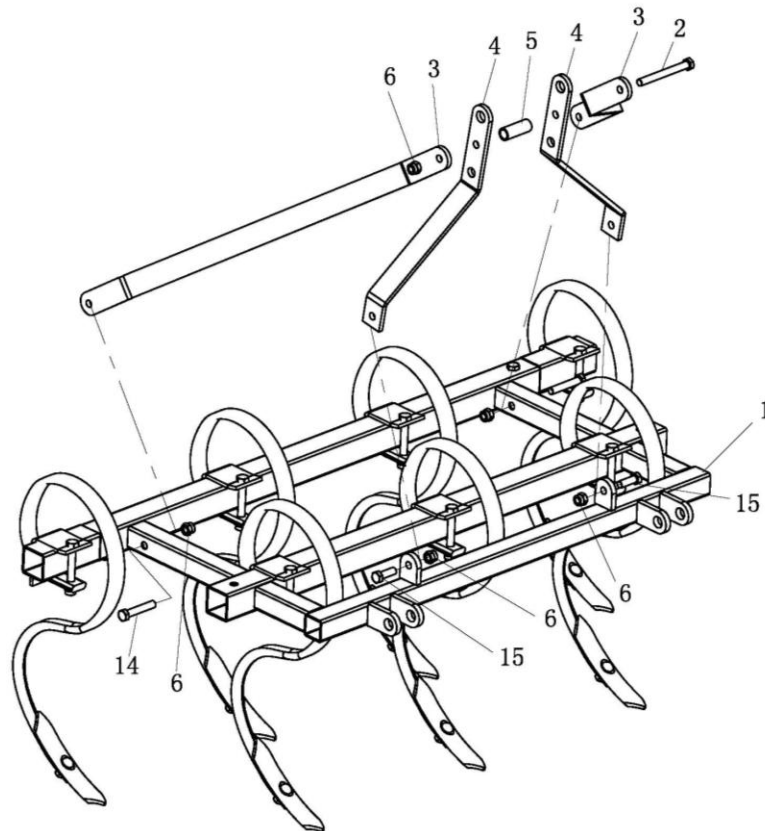
Attach two Long Support Brackets (#3) to the Frame (#1), using two M12 x 65 Bolts (#14) and two M12 Lock Nuts (#6).

Step #4:

Attach two Short Support Brackets (#4) to the Frame (#1), using two M12 x 35 Bolts (#15) and two M12 Lock Nuts (#6).

Step #5:

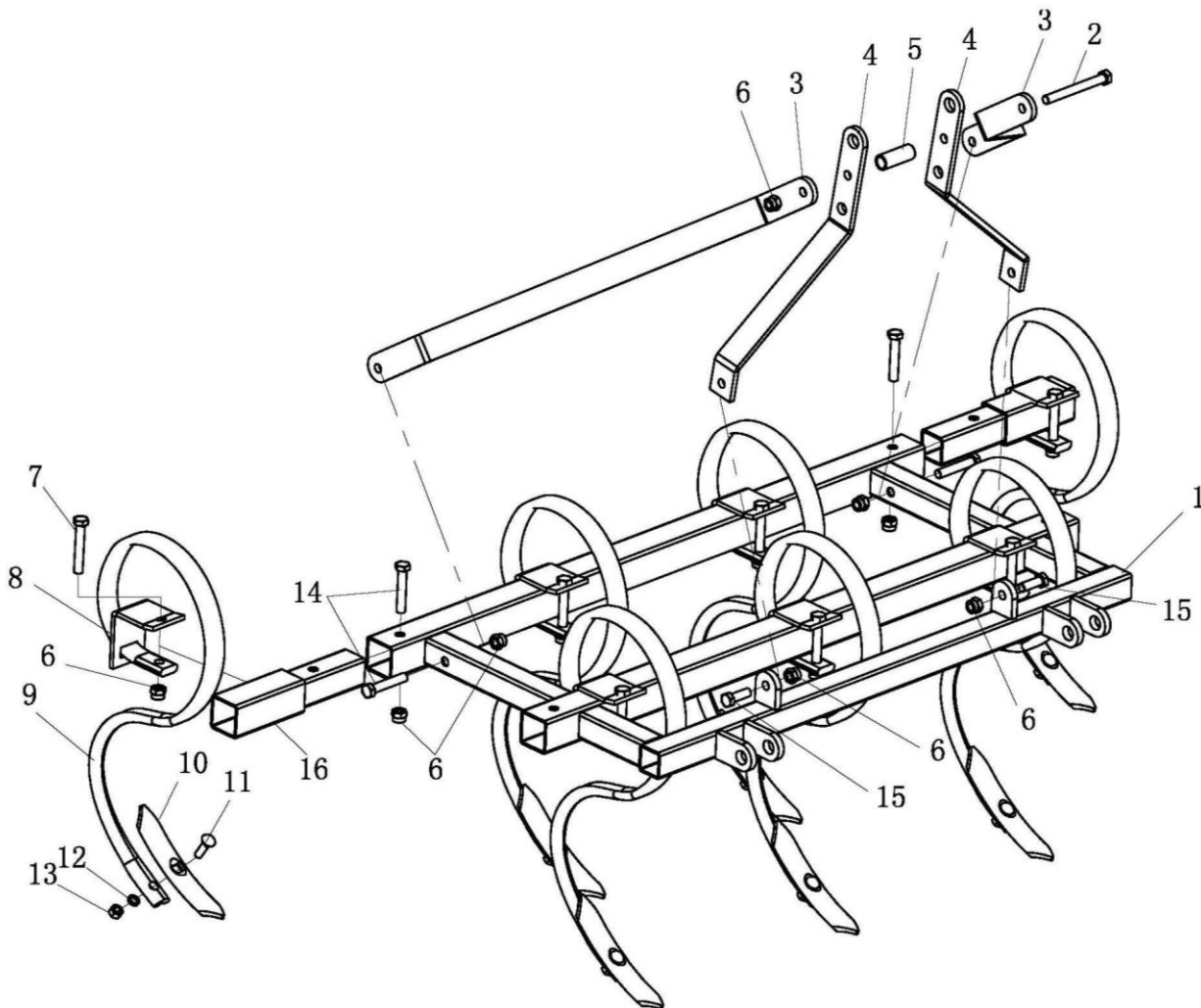
Connect the Long Support Brackets (#3) and the Short Support Brackets (#4), using one M12 x 110 Bolt (#2), one Spacer (#5), and one M12 Lock Nut(#6).



## MAINTENANCE

- **Maintain your Cultivator.** It is recommended that the general condition of any Cultivator be examined before it is used. Keep your Cultivator in good repair by adopting a program of conscientious repair and maintenance. If any abnormal vibrations or noise occurs, have the problem corrected before further use. Have necessary repairs made by qualified service personnel.

# DIAGRAM & PARTS LIST



Ref #	Part #	Description	Qty.
1	40979	Frame	1
2	40980	Hex Bolt M12*110	1
3	40981	Long Support Bracket	2
4	40982	Short Support Bracket	2
5	40983	Spacer	1
6	40984	Hex Lock Nut M12	14
7	40985	Hex Bolt M12*90	7
8	40986	S-tine Bracket	7

Ref#	Part #	Description	Qty.
9	40987	S-tine	7
10	40988	Shovel	7
11	40989	Bolt M10*35	7
12	40990	Spring Washer	7
13	40991	Hex Nut M10	7
14	40992	Hex Bolt M12*65	4
15	40993	Hex Bolt M12*35	2
16	40994	Extension Tube	2

For technical questions, please Contact us at [www.DRpower.com](http://www.DRpower.com) or call 1-800-DR-OWNER (376-9637) for assistance.

# DR<sup>®</sup> 48" 3PT Cultivator



## 2-Year Limited Warranty

### Terms and Conditions

The DR<sup>®</sup> 3PT CULTIVATOR is warranted for two (2) years against defects in materials or workmanship when put to ordinary and normal consumer use; ninety (90) days for any other use.

For the purposes of all the above warranties, "ordinary and normal consumer use" refers to non-commercial residential use and does not include misuse, accidents or damage due to inadequate maintenance.

DR Power Equipment certifies that the DR<sup>®</sup> 3PT CULTIVATOR is fit for ordinary purposes for which a product of this type is used. DR Power Equipment however, limits the implied warranties of merchantability and fitness in duration to a period of two (2) years in consumer use, ninety (90) days for any other use.

The 2-Year Limited Warranty on the DR<sup>®</sup> 3PT CULTIVATOR starts on the date the machine ships from our factory. The 2-Year Limited Warranty is applicable only to the original owner.

The warranty holder is responsible for the performance of the required maintenance as defined by the manufacturer's owner's manuals. The warranty holder is responsible for replacement of normally wearing parts such as the Tines, and Shovels. Accessories to the machine are not covered by this warranty.

During the warranty period, the warranty holder is responsible for the machine transportation charges, if required. During the warranty period, warranty parts will be shipped by standard method at no charge to the warranty holder. Expedited shipping of warranty parts is the responsibility of the warranty holder.

SOME STATES DO NOT ALLOW LIMITATIONS ON THE LENGTH OF IMPLIED WARRANTIES, SO THE ABOVE LIMITATIONS MAY NOT APPLY TO YOU.

DR Power Equipment shall not be liable under any circumstances for any **incidental or consequential damages or expenses** of any kind, including, but not limited to, cost of equipment rentals, loss of profit, or cost of hiring services to perform tasks normally performed by the DR<sup>®</sup> 3PT CULTIVATOR.

SOME STATES DO NOT ALLOW THE EXCLUSION OR LIMITATION OF INCIDENTAL OR CONSEQUENTIAL DAMAGES, SO THE ABOVE LIMITATIONS MAY NOT APPLY TO YOU.

THIS WARRANTY GIVES YOU SPECIFIC LEGAL RIGHTS, AND YOU ALSO HAVE OTHER RIGHTS, WHICH VARY FROM STATE TO STATE.

## ***Daily Checklist for the DR 48" 3PT CULTIVATOR***

To help maintain your DR 48" 3PT CULTIVATOR for optimum performance, we recommend you follow this checklist each time you use your 3PT CULTIVATOR

---

### **! WARNING**

Before performing any maintenance, you must first shut off the tow vehicle, remove the key and set the parking brake.

---

- [ ] **HARDWARE:** Check all nuts and bolts to be sure that the components are secure.
- [ ] **FRAME:** Check all welds to be sure that the frame is intact and secure.
- [ ] **CLEAN:** Make sure the Tines and the Frame are clean and free of debris.

---

### **! WARNING**

Before performing any maintenance, you must first shut off the tow vehicle, remove the key and set the parking brake.

---

## ***End of Season and Storage***

- Hose down the DR 3PT CULTIVATOR to clean it of debris.
- Wipe down the DR 3PT CULTIVATOR to remove any moisture and dirt that may have accumulated.
- If possible, store the 3PT Cultivator in a dry, protected place. If it is necessary to store the 3PT Cultivator outside, cover it with a protective material.



---

**75 MEIGS ROAD, P.O. BOX 25, VERGENNES, VERMONT 05491**

---