

# DR<sup>®</sup> POWERWAGON<sup>™</sup> 5.0

## *Parts List & Assembly Diagrams*



COUNTRY HOME PRODUCTS, INC.

[www.dr-owner.com](http://www.dr-owner.com)

# DR POWERWAGON 5.0 Parts List

---

**Note:** Not all parts appear on all diagrams.

<u>Ref#</u>	<u>Part#</u>	<u>Description</u>	<u>Ref#</u>	<u>Part#</u>	<u>Description</u>
01	174881	Engine, 5.0 HP Electric Start Briggs & Stratton w/Cable Clip	59	110211	Grip, Handle, 1-1/4"
03	108921	Bearing Flange, 2-hole	61	110301	Latch Handle
04	152171	Ball Bearing, 3/4" Bore	62	110241	Latch Handle Grip
05	131191	Battery	63	110451	Latch Housing
06	135101	Battery Clamp, Plastic	64	111931	Latch Spring, 2-1/4"
07	113051	Battery Pad	66	111291	Lower Shift Rod w/ Arm
12	151181	Bracket, Brake	74	110691	Nut, 5/16"-18
14	178981	Brake Cable, 73-1/2" long	78	165391	Wheel Drive Cable Anchor
16	109341	Bumper Stop, Flat Bed	79	110751	Nut, Nylon, Lock, 3/8"-16
17	164121	Bumper Strip, Flat Bed	80	110761	Nut, Nylon, Lock, 5/16"-18
18	112141	Cable Tie, 6", Black (not shown)	81	109161	Eyebolt, 5/16"-18
19	109131	Carriage Bolt, 5/16" x 1-1/2"	82	111081	Plug, 1" Square Tubing
26	112311	Spacer	84	110731	Nut, Nylon, Lock, 1/4"-20
33	180521	Control Panel	85	110971	Roll Pin, 3/16" x 1-3/4"
34	180531	Label, Control Panel	86	114701	Bolt, HCS, 1/4"-20 x 1/2"
36	Deleted		87	111531	Bolt, HCS, 3/8"-16 x 2-1/4"
37	112561	Drive Wheel, 16/6.50 x 8 All-Terrain	88	123341	Bolt, HCS, 3/8"-16 x 1-3/4"
46	108731	Flat Bed Stop Angle	89	119831	Bolt, HCS, 1/4"-20 x 3/4"
47	108771	Dump Arm	90	111491	Bolt, HCS, 1/4"-20 x 1"
48	109401	Dump Arm Spacer Tube/Bushings	91	111501	Bolt, HCS, 1/4"-28 x 3/4"
49	106381	Flat Key, 3/16" Sq. x 1-1/2"	92	160861	Bolt, HCS, 1/4"-20 x 1-1/4"
50	112521	Nylon Shim Washer, Drive Wheel, (total quantity- 4)	93	111481	Bolt, HCS, 1/4"-20 x 1-3/4"
	160521	Shim, 3/4" ID x 1" OD x .25" THK, (total quantity-4)	96	111551	Bolt, HCS, 3/8"-24 x 3/4"
51	112411	Washer, Flat, Zinc, 5/16", USS	97	112481	Washer, Lock, 1/4"
52	112371	Washer, Flat, Shift & Arm, 3/16", 1/4" ID (10-24 USS)	99	111591	Bolt, HCS, 5/16"-18 x 2-1/2"
53	112381	Washer, Flat, 1/4" USS	100	150451	Bolt, HCS, 5/16"-18 x 1-3/4"
54	164301	Main Frame	101	123361	Bolt, HCS, 5/16"-18 x 1-1/4"
55	164311	RH Handlebar	102	180281	Spacer, .750 OD x .328 ID
56	164321	LH Handlebar	104	150491	Screw, 8-32 x 1/2"
57	164331	Cross Support	105	111411	Bolt, HCS, 5/16"-18 x 3"
58	106401	Key, Woodruff, 3/16" x 1-1/2"	110	111661	Screw, Phillips, Pan, #12 x 1"
			111	111641	Screw, Phillips, Self Tap, #10 x 1-1/4" (not shown)
			114	160871	Shift Axle Coupling
			115	108871	Shift Lever

<b>Ref#</b>	<b>Part#</b>	<b>Description</b>
116	110221	Handle Grip, Shift Lever
117	160351	Tie Rod Assembly
120	112341	Tubing, Shrink (not shown)
121	111271	Push Rivet, Tool Tray, 1/4" (not shown)
123	111921	Spring, .500 OD x .067 Core
127	126971	Washer, Fender, 1/4"
128	112501	Star Lock Washer, 5/16"
129	121701	Washer, Flat, 3/8" SAE
131	112581	Swivel Wheel, 4.10 / 3.50 x 4
132	111721	Thread Forming Screw, 5/16"-18 x 3/4"
135	112261	Molded Tool Tray (not shown) 15" x 18" x 4-1/2"
136	136601	Tool Tray Frame Leg
138	110151	Tool Tray Frame (not shown)
139	108891	Transaxle Front Hangers
140	108791	Transaxle Shift Arm
141	160471	Transaxle, Assembly
142	180501	Idler Arm Bracket
143	113071	Pulley, Flat Idler
144	111141	V-Belt, Drive Pulley, 7"
146	144091	Pulley, V-Belt, 2- 5/8"
148	108971	V-Belt, Drive, 1/2" x 84"
149	157061	Box, Corner Support (not shown)
150	111261	Wheel Lock Ring, 3/4"
151	179171	Box, Top (not shown)
152	179161	Box, Sides (not shown)
153	179181	Pallet (not shown)
154	114921	Belt Guide
155	124561	Large Molded Bed (Drilled)
156	110071	Frame, Large Molded Bed
157	123211	Bolt, HCS, 5/16"-18 x 3/4" (not shown)
158	112391	Washer, Flat 3/8", USS

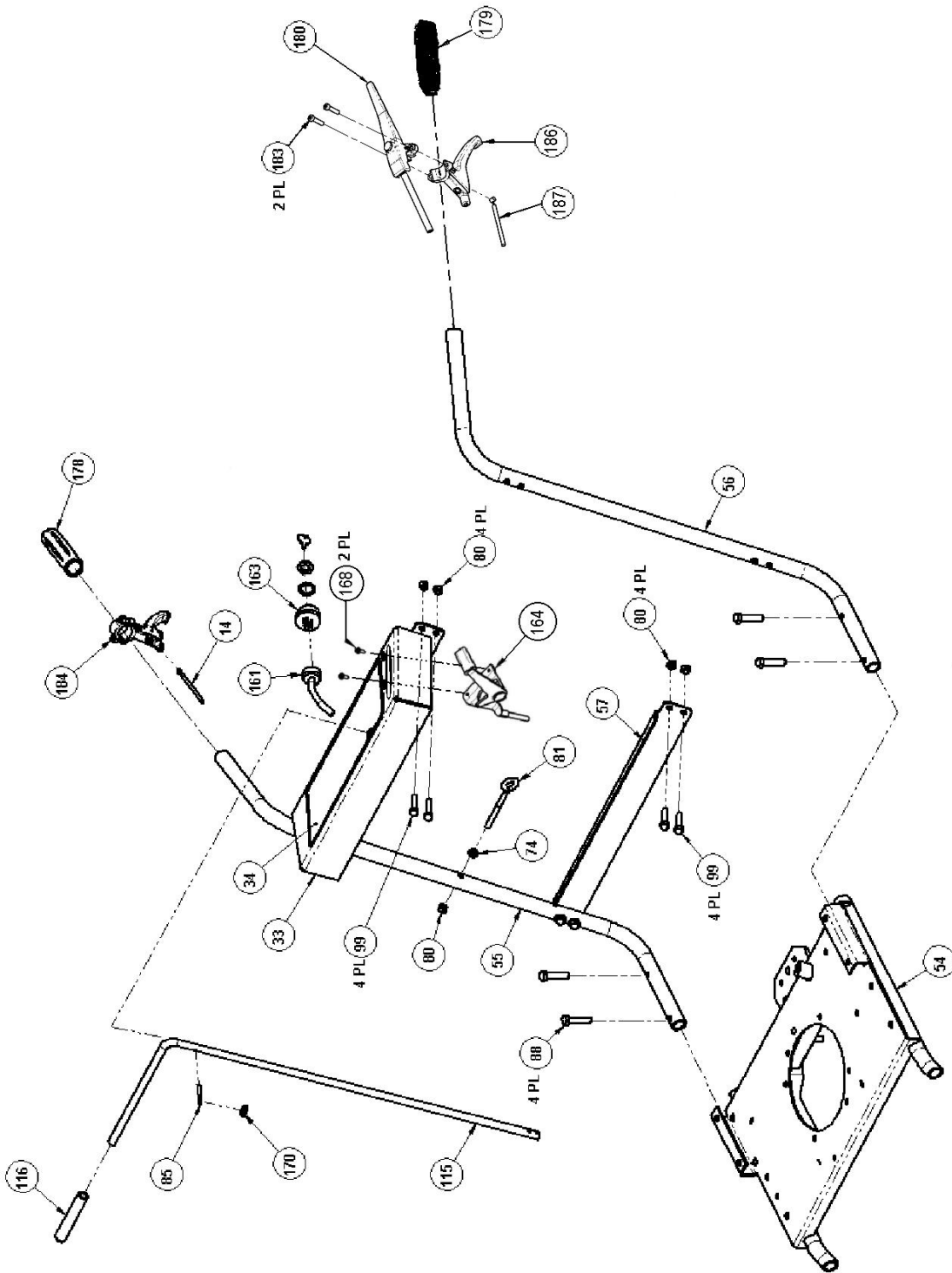
<b>Ref#</b>	<b>Part#</b>	<b>Description</b>
161	180681	Wire Harness
163	112051	Switch w/Key & Hardware
164	112111	Throttle Cable w/Lever
165	160461	Throttle Spring Bracket
167	120891	Spring, Throttle Return
168	150491	Screw, 8-32 x 1/2
170	112441	Washer, Nylon, 1/2" ID x 3/4" OD x 1/8"
171	180471	Pulley, Engine
172	180791	Guide, Engine Pulley
175	114781	Screw, 10-24 x 5/8"
176	112461	Nylon Washer, .39" ID x 1" OD (not shown)
177	109411	Bushing, .265" ID x .375" OD (not shown)
178	164961	Grip, Plain 1" Handlebar
179	164951	Grip, Ergonomic 1" Handlebar
180	180691	Lever, Operator Presence w/ Adapter
181	180801	Belt Guard Bracket
182	111461	Bolt, HCS, 1/4"-20 x 2-1/2"
183	178971	Screw, M4 x 22mm
184	165181	Lever, Brake w/ Lock
185	180511	Belt Guard
186	165171	Wheel Clutch Lever
187	180551	Wheel Clutch Cable

Safety Labels

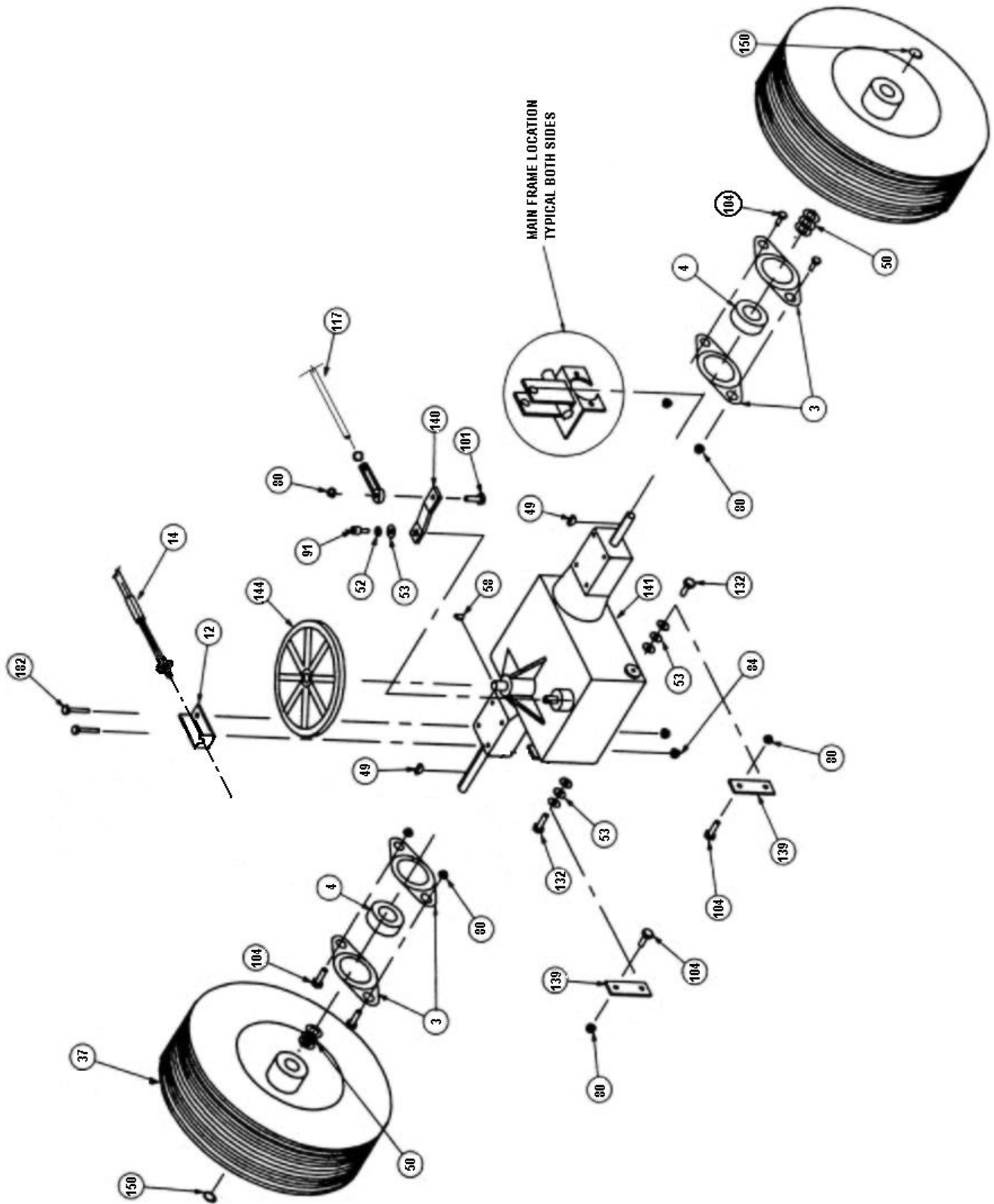
124371	Label, American Flag
153421	Label, Dump Lever
153431	Label, Dump Lever Latch
153601	Label, ID and Serial Number
153441	Label, Slope Limit
180531	Label, Control Panel
127811	Label, Warning, Add Oil
137581	Label, Check Oil



# Handlebar/Controls Assembly

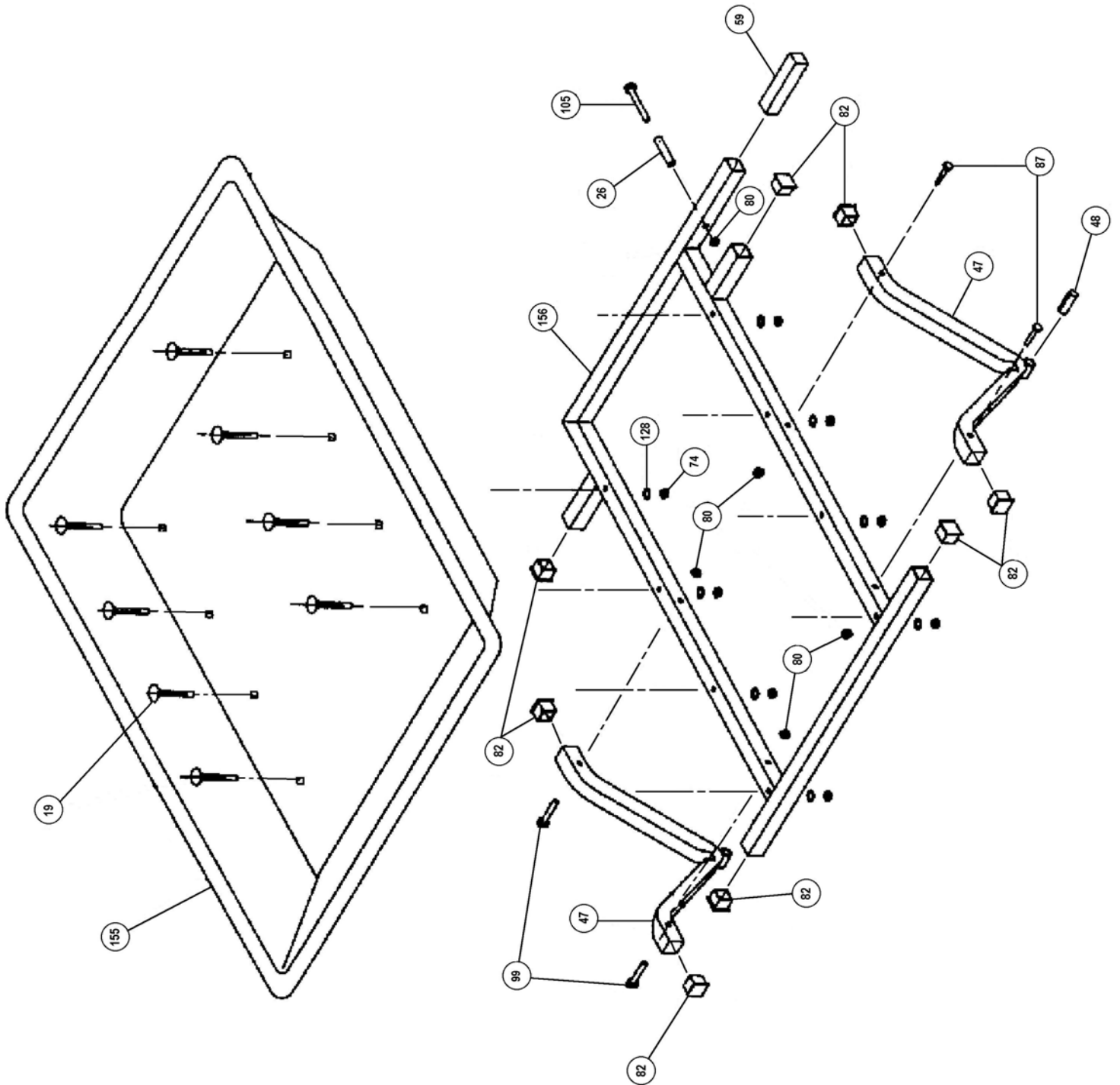


# Main Axle Assembly



# Molded Body Assembly

---



## Daily Checklist for the DR POWERWAGON 5.0

To help maintain your DR for optimum performance, we recommend you follow this checklist each time you use your machine.

- OIL: With the machine on a level surface, remove the oil fill cap and check the oil level. Fill the reservoir according to the dipstick with SAE30 HD motor oil.
- GAS: Fill the gas tank with fresh, unleaded gasoline.
- ENGINE: It is very important to keep the engine clean. Remove grass and other debris from the engine cooling fins and debris guard. A dirty engine retains heat and can cause damage to internal engine components.
- BELT: Check the belt for wear, proper alignment and tension.
- AIR FILTER: A clean air filter will mean a much easier starting and cooler running engine. Please refer to your engine manufacturer's owner's manual for instructions on cleaning the air filter.
- TIRES: Check the tires for wear and proper inflation.



COUNTRY HOME PRODUCTS, Inc.

---

**MEIGS ROAD, P.O. BOX 25, VERGENNES, VERMONT 05491**

1-800-DR-OWNER (376-9637) • [www.dr-owner.com](http://www.dr-owner.com)

©2004 CHP, Inc. 180441