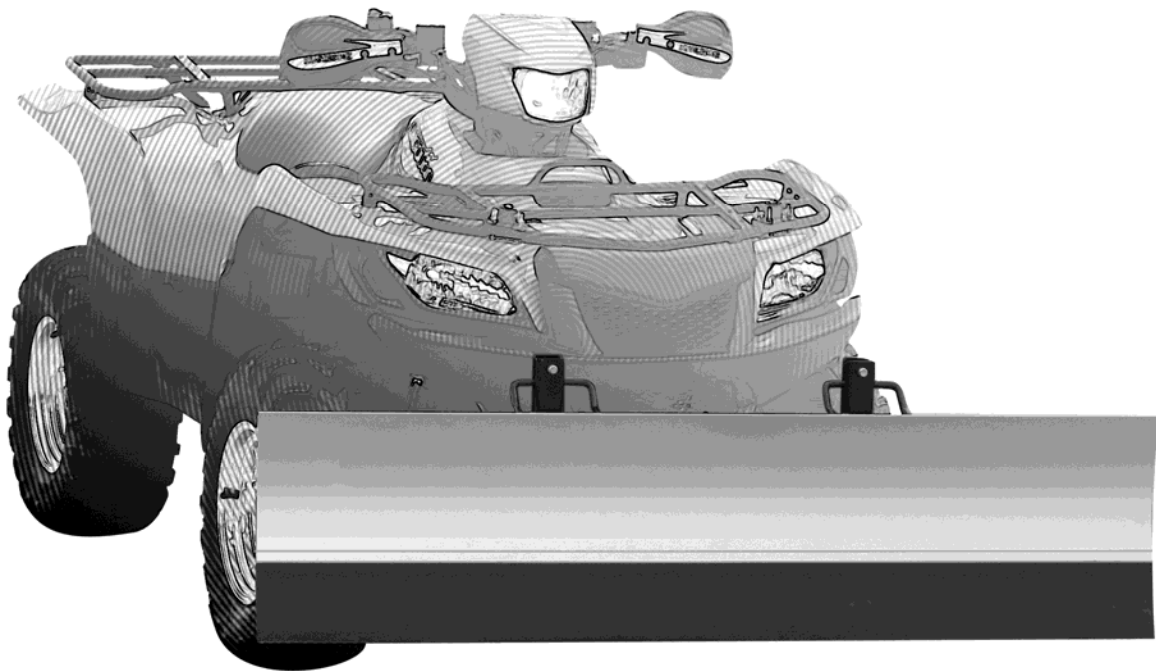


DR[®] REDI-PLOW[™] ATV

SAFETY & OPERATING INSTRUCTIONS



Serial No. _____

Order No. _____

Original Language

DR Power Equipment
Toll-free phone: 1-800-DR-OWNER (376-9637)
Fax: 1-802-877-1213
Website: www.DRpower.com

! WARNING

Read and understand this manual and all instructions before operating the DR[®] REDI-PLOW[™] ATV.

Table of Contents

Chapter 1: General Safety Rules.....	4
Chapter 2: Setting Up The DR® REDI-PLOW™ ATV.....	6
Chapter 3: Operating The DR® REDI-PLOW™ ATV.....	8
Chapter 4: Parts Lists and Schematic Diagrams.....	10

Conventions used in this manual

WARNING

This indicates a hazardous situation, which, if not avoided, could result in death or serious injury.

CAUTION

This indicates a hazardous situation, which, if not avoided, could result in minor or moderate injury.

NOTICE

This information is important in the proper use of your machine. Failure to follow this instruction could result in damage to your machine or property.

Serial Number and Order Number

A Serial Number is used to identify your machine and is located on the Serial Number Label on your machine. An Order Number is used to check and maintain your order history and is located on your packing slip. For your convenience and ready reference, enter the Serial Number and Order Number in the space provided on the front cover of this manual.

Additional Information and Potential Changes

DR Power Equipment reserves the right to discontinue, change, and improve its products at any time without notice or obligation to the purchaser. The descriptions and specifications contained in this manual were in effect at printing. Equipment described within this manual may be optional. Some illustrations may not be applicable to your machine.

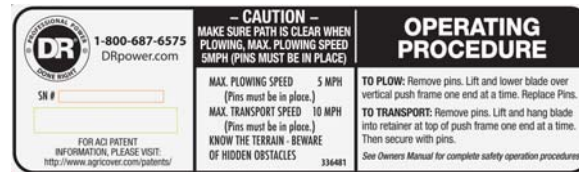
Chapter 1: General Safety Rules

! WARNING

Read this safety & operating Instructions manual before you use the REDI-PLOW. Become familiar with the operation and service recommendations to ensure the best performance from your machine. If you have any questions or need assistance, please contact us at www.DRpower.com or call toll-free 1-800-DR-OWNER (376-9637) and one of our Technical Support Representatives will be happy to help you.

Labels

Your REDI-PLOW carries prominent labels as reminders for its proper and safe use. Shown below are copies of the Safety and Information labels that appear on the equipment. Take a moment to study them and make a note of their location on your REDI-PLOW as you set up and before you operate the unit. Replace damaged or missing safety and information labels immediately.



#33648

Operating the Plow Safely

! WARNING

The vehicle the plow is attached to is a heavy, high-powered machine. You must operate the vehicle safely. Unsafe operation can create a number of hazards for you, as well as anyone else in the nearby area. Always take the following precautions when using this vehicle and Plow:

- Keep in mind that the operator or user is responsible for accidents or hazards occurring to other people, their property, and themselves.
 - Keep bystanders at least 50 feet away from your work area at all times. Stop and shut off the vehicle engine when another person or pet approaches.
 - Remember – always exercise safety, courtesy, and common sense
 - Avoid overloading your equipment - push only enough snow with each pass to get the job done.
 - When transporting blade, secure it to hanger brackets with pins or locks.
 - Do not exceed 10 MPH when transporting plow.
 - Do not exceed 5 MPH when plowing.
 - Always wear a helmet when plowing snow.
 - Never pile snow on someone else's property, on street or sidewalks, by fire hydrants, mailboxes, water drains or electrical boxes.
 - Check with local regulations before pushing snow across roads-it may be illegal.
 - Do not pile snow near handicapped or parking areas.
 - Plow snow during low-traffic hours - be cautious of pedestrians and vehicles.
 - Never pile snow where it obstructs visibility of traffic.
-

Operating the Plow Safely (continued)

WARNING

- Use lowest transmission gear, on 4WD select low range if equipped.
 - Be aware of engine temperature - avoid overheating.
 - Follow vehicle manufacturer's specifications for snowplowing.
 - Never operate the machine when under the influence of alcohol, drugs, or medication.
 - Keep all nuts and bolts tight and keep the equipment in good operating condition.
 - When pushing snow onto a pile, always do so with blade in the straightforward position. Piling snow with blade angled may cause damage to plow or vehicle components.
 - Use caution when plowing next to a building wall. Make first pass about 3 feet away, make second pass about 2 feet away and third pass about 1 foot away.
-

Safety for Children and Pets

WARNING

Tragic accidents can occur if the operator is not alert to the presence of children and pets. Children are often attracted to the machine and the plowing activity. Never assume that children will remain where you last saw them. Always follow these precautions:

- Keep children and pets out of the working area and under the watchful care of a responsible adult.
 - Be alert and turn the vehicle off if children or pets enter the work area.
 - Never allow children to operate the REDI-PLOW.
 - Use extra care when approaching blind corners, shrubs, trees, or other objects that may obscure your vision.
-

A Note to All Users

No list of warnings and cautions can be all-inclusive. If situations occur that are not covered by this manual, the operator must apply common sense and operate this REDI-PLOW in a safe manner. Contact us at www.DRpower.com or call 1-800-DR-OWNER (376-9637) for assistance.

Assembly

Tools and Supplies needed:

- Power Drill with 5/16" Drill Bit
- 9/16" Socket with Ratchet
- Two 3/4" Box Wrenches
- 7/16" Wrench
- Protective Eyewear

1. Each end of the Rubber Cutting Edge has two factory marks (to match with holes in Skid Bracket). Drill them out with 5/16" Bit (**Figure 1**).
2. Mount Skid Bracket there. Tighten Bolts until head sinks flush with rubber surface. Repeat at other end.

Tip: When mounted-Skid Bracket should align flush with or slightly above bottom of rubber.

Note Rubber should be room temperature before assembly

3. Apply soapy water solution to channel areas of the Rubber Blade and Aluminum Blade where they will mate together (**Figure 2**)
4. Align groove on rubber with groove in Blade, so Skid Brackets face back to Blade.
5. Slide rubber into channel in bottom of Blade and center it.
6. Locate factory marks on back of blade. Place slide hinge on blade and align both lower holes with marks on blade (**Figure 3**).

Tip: When mounted-slide hinges should measure about 14-1/2" apart.

7. Insert 2 square nuts in channel at end of blade and slide them over to line up with holes at top of slide hinge (**Figure 4**).
8. Insert bolts through holes in slide hinge and thread onto nuts inside blade.
9. Make sure both lower holes in slide hinge are still in line with mark on blade, then tighten 2 top bolts. Repeat at other end.

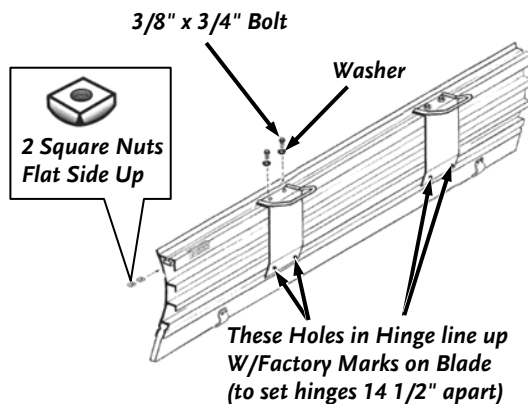


Figure 4

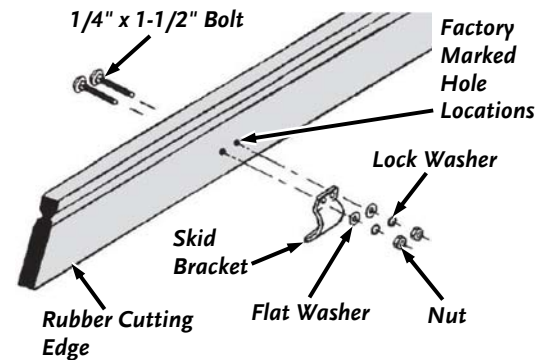


Figure 1

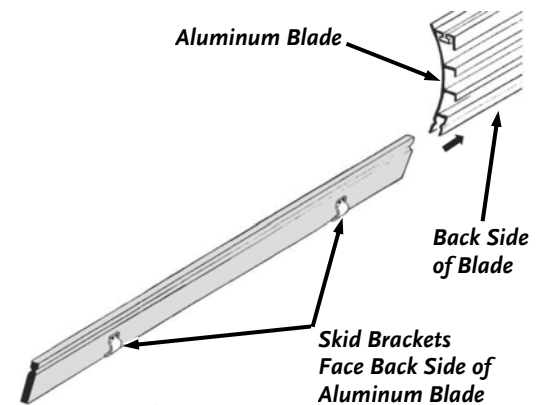


Figure 2

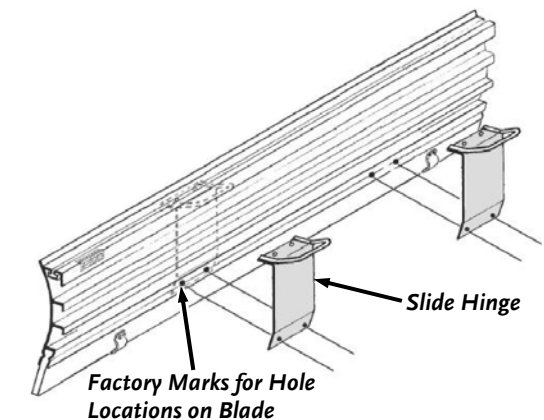


Figure 3

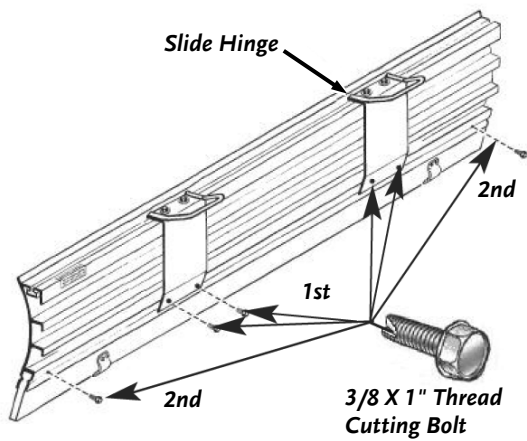


Figure 5

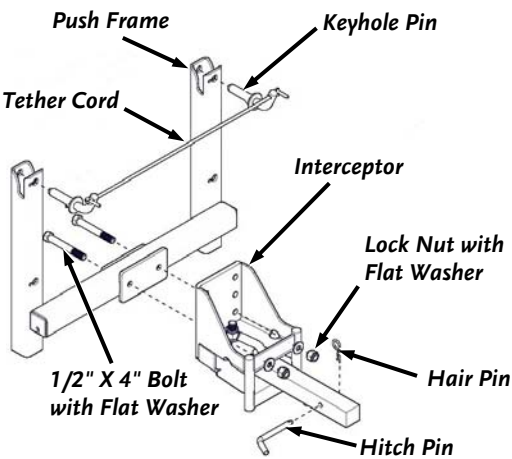


Figure 6

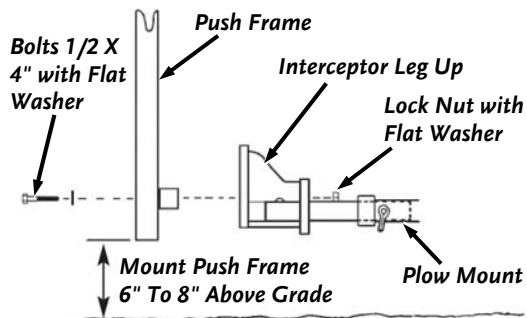


Figure 7

10. First, with rubber centered on blade, use both lower holes in each slide hinge as guide to drill 5/16" holes through first layer of aluminum and partially into rubber (**Figure 5**). Then turn 3/8" thread cutting bolt into each hole and tighten to secure each hinge.
 11. Second, at factory mark near each end of blade, drill 5/16" hole through first layer of aluminum and partially into rubber. Turn 3/8" thread cutting bolt into hole and tighten.
- Note:** Park vehicle on level grade and install plow mount receiver (shipped separately). Interceptor can be installed with leg turned up or down as needed for proper push frame clearance (Shown turned up in illustrations).
12. Insert interceptor into receiver (leg up) as shown in diagrams. Insert pin through mount and hole in interceptor and lock tab (**Figure 6**).
 13. Hold push frame up in line with pair of holes on interceptor, that when bolted, will hold push frame 6 to 8 inches above grade.
- Note:** If lowest hole pattern is too high, then it is okay to turn Interceptor leg down.
14. Insert bolts and lock nuts and tighten.
 15. Hang blade assembly into retainer grooves on push frame.
 16. Insert keyhole pin in hole, rotate pin just enough to allow it through second hole and rotate it back to its secure position.

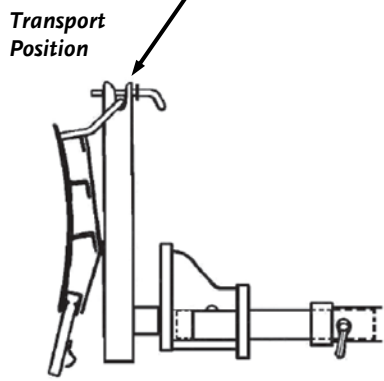
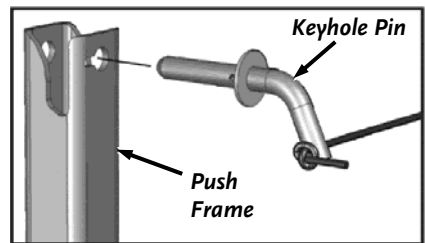


Figure 8

Basic Snowplowing Practices and Tips

The REDI-PLOW is designed to make moving snow convenient and easy. By following these simple practices, snow removal can be safe and enjoyable.

- If blade is kept in warm storage, set blade outside and allow to cool-this prevents snow from freezing to blade when plowing.
- Setting the blade straight forward is the most efficient way to move snow.
- Always keep current with fresh snowfall, it's easier to plow fresh snow. Wet snow can compact and freeze which requires chipping to break it loose before attempting to move it.
- From the start of the season, push the snow far enough out to allow for future snowfalls.
- Avoid overloading your equipment-push only enough snow with each pass to get the job done.
- When pushing snow onto a pile, always do so with blade in the straightforward position.
- If plowing over grass, avoid using hold down pins- let blade leave a thin layer of snow to protect grass.
- Use caution when plowing next to a building wall. Make first pass about 3 feet away, make second pass about 2 feet away and third pass about 1 foot away.
- When transporting blade, secure it to hanger brackets with pins or locks.
- On 4WD select low range, if equipped.
- Always know the terrain before plowing.

Operating Instructions

WARNING

- The design of your plow is for pushing snow and other loose materials. Do not use it for any other purpose as it could cause damage to the plow or machine.
- Before performing any adjustments to the plow or any other procedure or inspection, stop the vehicles engine, set the parking brake and remove the key.

Read and understand all safety warnings listed in Chapter 2 “General Safety Rules” before using your REDI-PLOW.

Note: *If blade is kept in warm storage, set blade outside and allow to cool - this prevents snow from freezing to blade when plowing.*

LOWERING THE BLADE FOR PUSHING SNOW:

1. Step behind the Plow and remove the keyhole pin (**Figure 8**).
2. Lift one side of the blade out of retainer until the slide hinge fits over the push bar, then lower blade to ground.
3. Re-insert keyhole pin (**Figure 9**). Repeat same procedure for other side of blade.

TO PUSH SNOW:

Follow vehicle manufacturers' specifications for snowplowing.

Note: *Do not exceed 5 MPH when plowing.*

Use lowest transmission gear, on 4WD select low range if equipped.

1. To start a pass, Drive forward slowly allowing for tire traction and for the blade to accumulate snow.

Keyhole Pins Secure Blade During Transporting

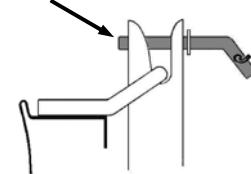


Figure 8

Keyhole Pins Reinstalled To Secure Blade During Plowing

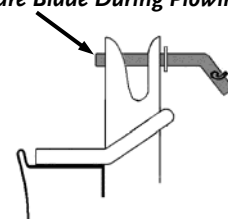


Figure 9

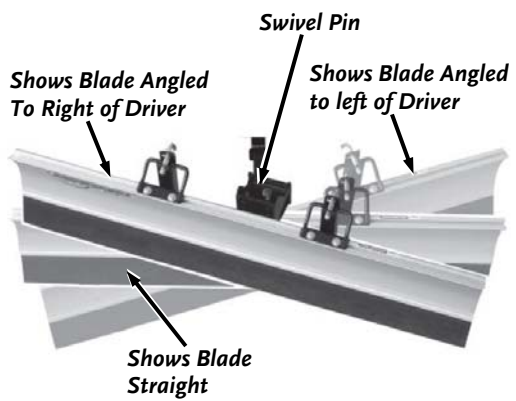


Figure 10

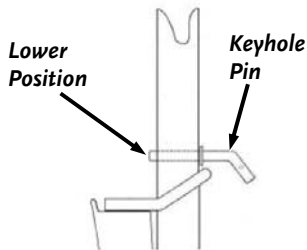


Figure 11

2. As you come to the end of the pass, reduce speed and start applying brakes as needed.
3. Back up to disengage the blade and continue backing up until you are realigned for next push.
4. Repeat this procedure until job is finished. Deep and/or compacted snow may require several passes.

The blade can be angled by removing swivel pin in the interceptor, turning blade to desired angle position and reinserting pin (**Figure 10**).

The blade can be pinned in the lowered position for use in tougher snow conditions, or leveling sand, pea rock, etc. Using pins in hold down position is not recommended for grass (**Figure 11**).

TO STORE BLADE FOR TRANSPORTING:

Reverse procedure from “Lowering the Blade for Pushing Snow” and re-insert keyhole pins (**Figure 8**).

- Do not exceed 10 MPH when transporting plow.

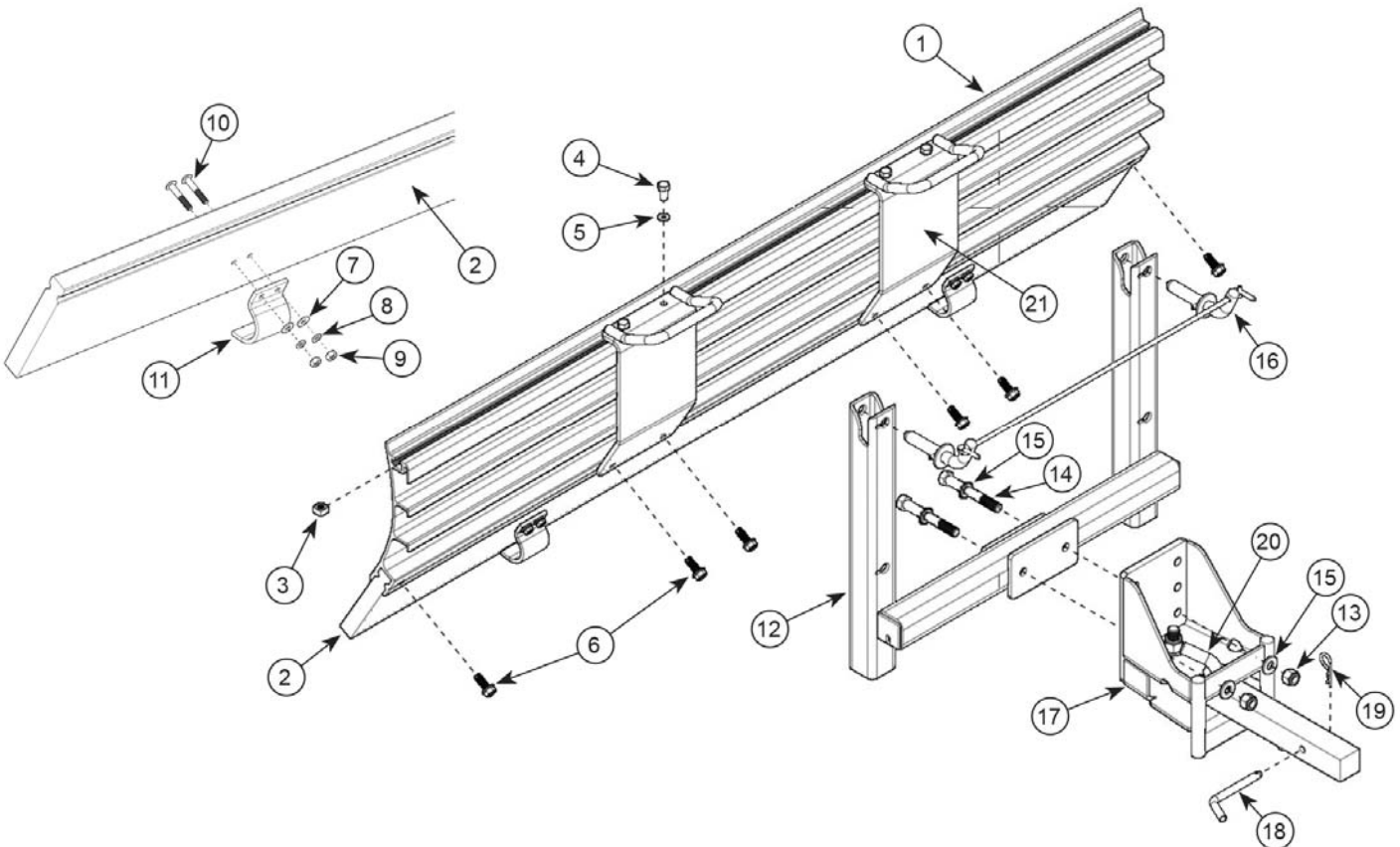
Note: When transporting blade, secure it to hanger brackets with pins or locks.

Chapter 4: Parts Lists and Schematic Diagrams

Parts List and Schematic – DR® REDI-PLOW™ ATV

Note: Part numbers listed are available through DR Power Equipment.

Ref#	Part#	Description	Ref#	Part#	Description
1	33641	Aluminum Blade, 60"		33644	Hardware Kit, Push Frame
2	33642	Rubber Cutting Edge, 60"	13	33616	Nut, Lock, 1/2", ZP
	33637	Hardware Kit, Blade, RDP & ATV	14	33615	Bolt, Hex, 1/2" x 4", GR8, ZP
3	33618	Nut, Square, 3/8" ZP	15	33617	Washer, Flat, 1/2", ZP
4	33608	Bolt, Hex Head, 3/8" x 3/4", ZP	16	33612	Keyhole Pin
5	33609	Washer, Flat 3/8", ZP	17	33645	Angle Interceptor w/Hardware, RDP ATV
6	33607	Bolt, Self Threading, 3/8" x 1", ZP	18	33646	Hitch Pin
7	33631	Washer, Flat, 1/4" ZP	19	33630	Hair Pin
8	33632	Washer, Lock, 1/4" ZP	20	33625	Swivel Pin
9	33633	Nut, Hex, 1/4" ZP	21	33636	Slide Hinge
10	33634	Bolt, Carriage, 1/4" x 1- 1/2", GR5, ZP	Not shown on Illustration:		
11	33635	Skid Bracket	34008	Label, RDP ATV Logo	
12	33643	Push Frame Kit	33648	Label, Operation & S/N, RDP ATV	



DR[®] REDI-PLOW™ ATV



2-Year Limited Warranty

Terms and Conditions

The DR[®] REDI-PLOW™ ATV is warranted for two (2) years against defects in materials or workmanship when put to ordinary and normal consumer use; ninety (90) days for any other use.

For the purposes of all the above warranties, "ordinary and normal consumer use" refers to non-commercial residential use and does not include misuse, accidents, or damage due to inadequate maintenance.

DR[®] Power Equipment certifies that the DR[®] REDI-PLOW™ ATV is fit for ordinary purposes for which a product of this type is used. DR[®] Power Equipment however, limits the implied warranties of merchantability and fitness in duration to a period of two (2) years in consumer use, ninety (90) days for any other use.

The 2-Year Limited Warranty on the DR[®] REDI-PLOW™ ATV starts on the date the machine ships from our factory. The 2-Year Limited Warranty is applicable only to the original owner.

The warranty holder is responsible for the performance of the required maintenance as defined by the manufacturer's owner's manuals. This warranty does not cover attachments and accessories to the machine.

During the warranty period, the warranty holder is responsible for the machine transportation charges, if required. During the warranty period, warranty parts will ship by standard method at no charge to the warranty holder. Expedited shipping of warranty parts is the responsibility of the warranty holder.

SOME STATES DO NOT ALLOW LIMITATIONS ON THE LENGTH OF IMPLIED WARRANTIES, SO THE ABOVE LIMITATIONS MAY NOT APPLY TO YOU.

DR[®] Power Equipment shall not be liable under any circumstances for any incidental or consequential damages or expenses of any kind, including, but not limited to, cost of equipment rentals, loss of profit, or cost of hiring services to perform tasks normally performed by the DR[®] REDI-PLOW™ ATV.

SOME STATES DO NOT ALLOW THE EXCLUSION OR LIMITATION OF INCIDENTAL OR CONSEQUENTIAL DAMAGES, SO THE ABOVE LIMITATIONS MAY NOT APPLY TO YOU.

THIS WARRANTY GIVES YOU SPECIFIC LEGAL RIGHTS, AND YOU HAVE OTHER RIGHTS, WHICH VARY FROM STATE TO STATE.

Daily Checklist for the DR® REDI-PLOW™ ATV

To help maintain your REDI-PLOW for optimum performance, we recommend you follow this checklist each time you use your machine.

WARNING

Before performing any adjustments to the plow or any other procedure or inspection, stop the vehicles engine, set the parking brake and remove the key.

[] RUBBER BLADE: Check the Blade for wear or damage.

[] GENERAL CONDITION: Check the general condition of the machine, e.g.; nuts, bolts, welds etc.

End of Season and Storage

WARNING

Before performing any adjustments to the plow or any other procedure or inspection, stop the vehicles engine, set the parking brake and remove the key.

- For maximum blade life, periodically retighten bolts and protect blade from sun by storing it inside or covered.



75 MEIGS ROAD, P.O. BOX 25, VERGENNES, VERMONT 05491
