



# *PREMIER-PC10 1 Inch Water Pump Parts Manual*

## **WARNING**

Operating, servicing and maintaining this equipment can expose you to chemicals including engine exhaust, carbon monoxide, phthalates, and lead, which are known to the State of California to cause cancer and birth defects or other reproductive harm. To minimize exposure, avoid breathing exhaust, do not idle the engine except as necessary, service your equipment in a well-ventilated area and wear gloves or wash your hands frequently when servicing your equipment.

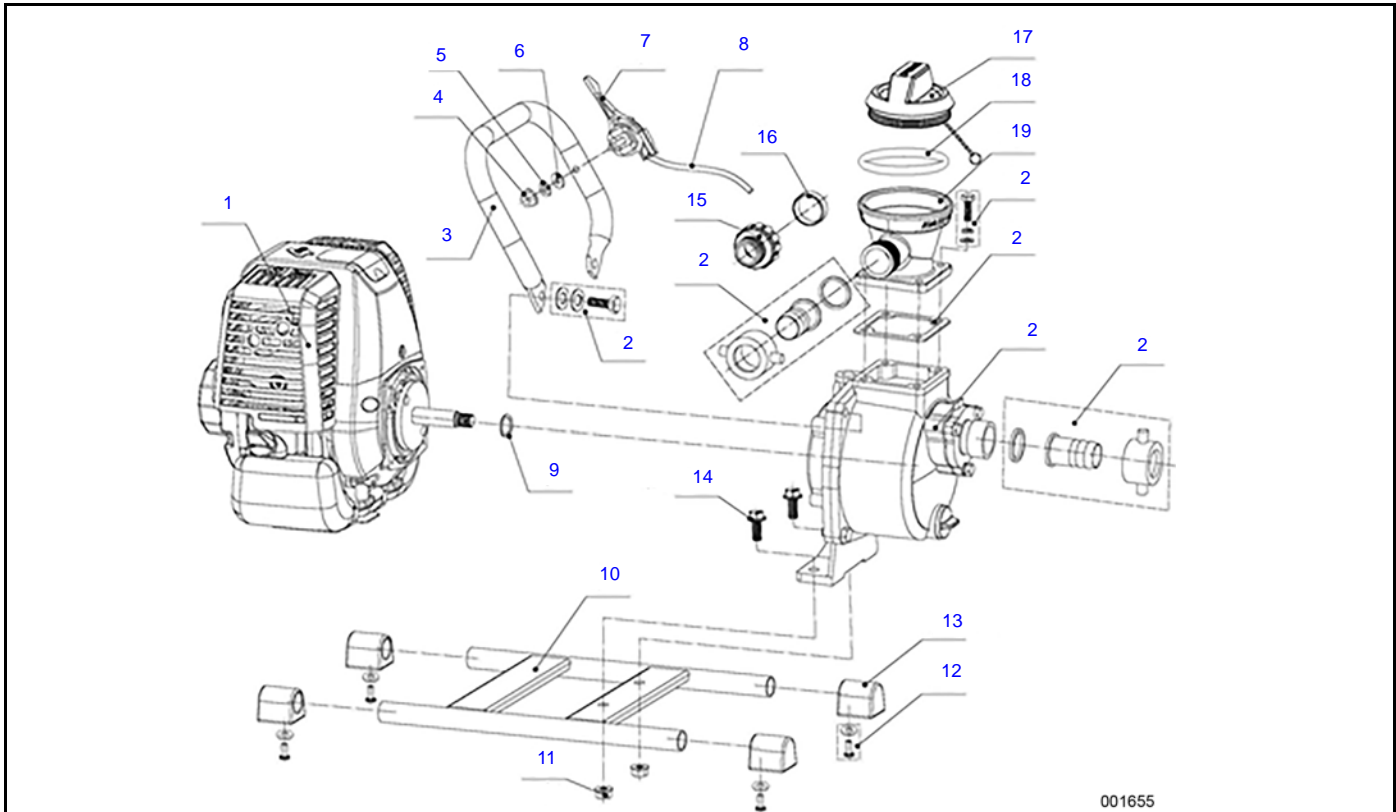
For more information go to  
[www.P65Warnings.ca.gov](http://www.P65Warnings.ca.gov).

(000393)

The information in this manual is accurate based on products produced at the time of publication. The manufacturer reserves the right to make technical updates, corrections, and product revisions at any time without notice.

**[www.drpower.com](http://www.drpower.com) or 1-855-447-3734**

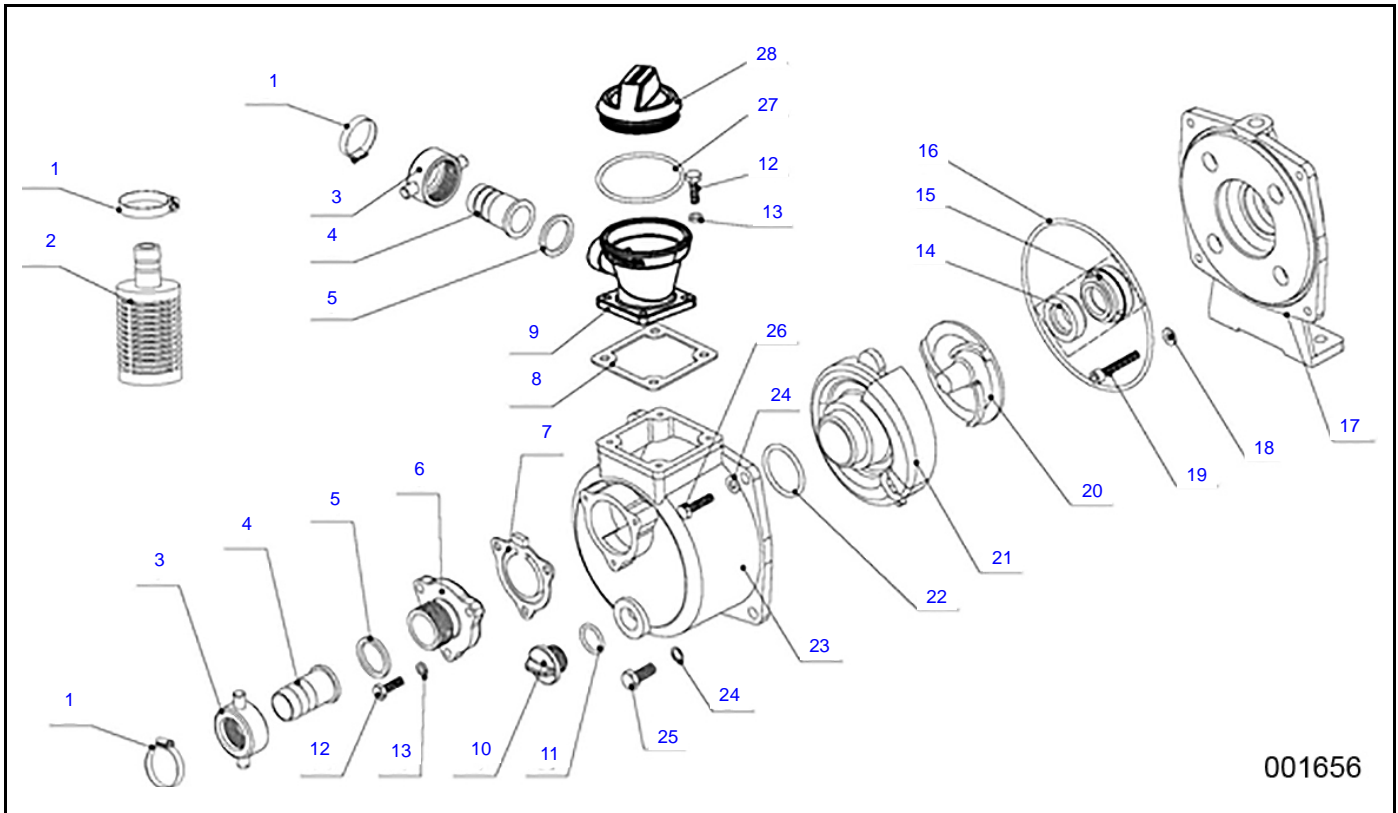
# PC10 WATER PUMP



001655

ITEM	PART NO.	DESCRIPTION	QTY
1	10000022125	33.5cc ENGINE FOR 1 INCH DR WATER PUMP	1
2	0L63340110	WATER PUMP ASSEMBLY (SEE ASSEMBLY FOR ITEM 2, PART NUMBERS)	1
NOTE: ITEMS 17,18, AND 19 ARE NOT INCLUDED WITH ABOVE ASSEMBLY			
3	0L63340111	HANDLE	1
4	0L63340112	NUT (M5)	1
5	0J08180238	SPRING WASHER	1
6	0J08180237	FLAT WASHER	1
7	0L63340113	THROTTLE LEVER	1
8	0L63340114	THROTTLE CABLE	1
9	0L63340115	ADJUSTING SHIM	5
10	0L63340116	BASE FOR 1 INCH WATER PUMP	1
11	0J08180243	NUT (M8)	2
12	0J08180250	SELF TAPPING SCREW (ST4.2X12)	4
13	0L63340117	VIBRATION MOUNT	4
14	0L63340118	BOLT (M8X25)	2
15	0L4775	FNPT ADAPTOR	1
16	0L63340119	BLUE BAND FOR 1 INCH WATER PUMP	1
17	10000021369	1/1.5 CAP EASY PRIME DISCHARGE FUNNEL (DR ORANGE)	1
18	0K96270133	O-RING FOR 1/1.5 INCH CAP	1
19	10000022124	DISCHARGE FUNNEL FOR DR 1 INCH WATER PUMP	1
	0L47990112	AIR FILTER ELEMENT (NOT SHOWN)	1

# WATER PUMP ASSEMBLY

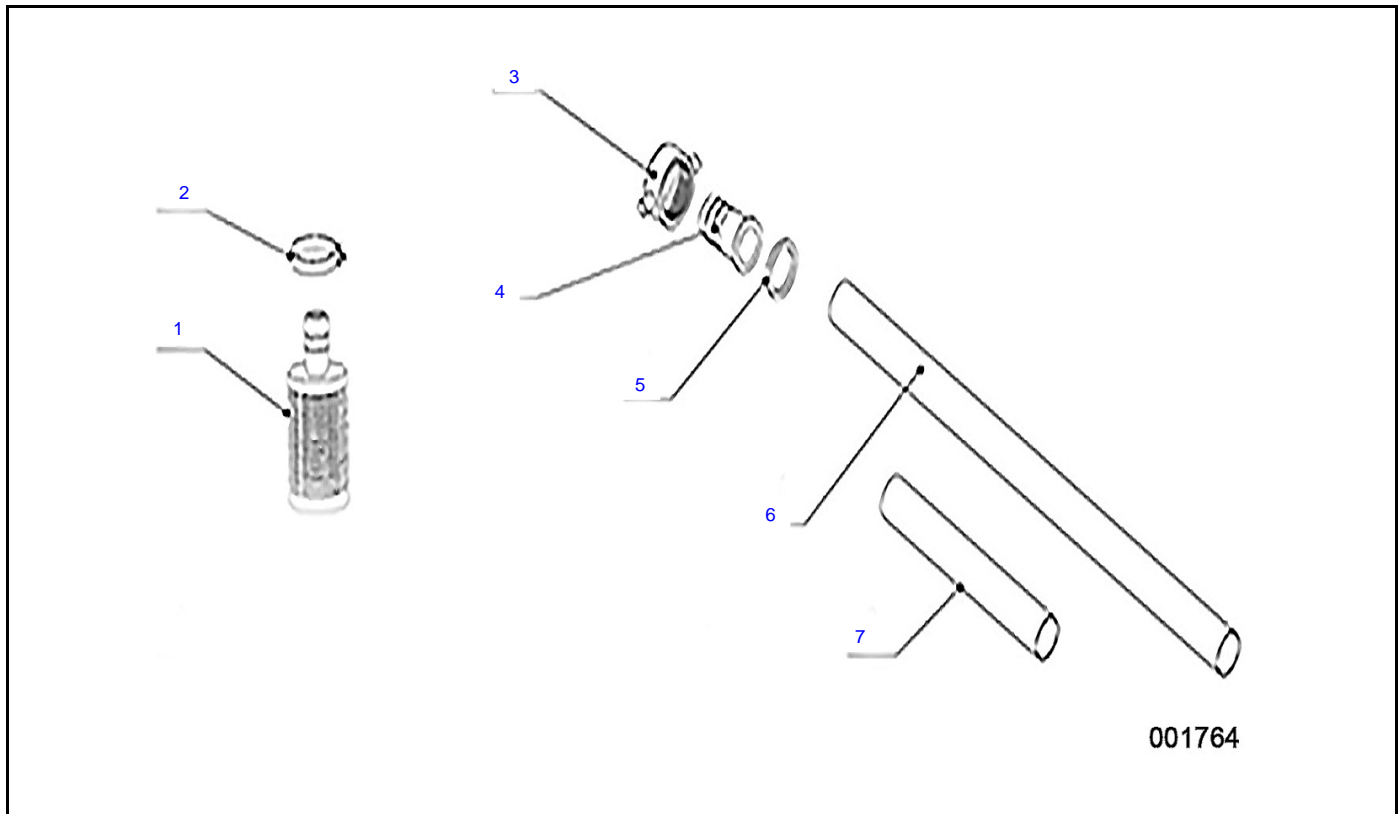


001656

ITEM	PART NO.	DESCRIPTION	QTY
1	0L63340120	CLAMP	3
2	0L63340121	STRAINER FOR 1 IN WATER PUMP	1
3	0L63340122	JOINT GRIP II	2
4	0L63340123	HOSE BARB II	2
5	0L63340124	SEALING RING	2
6	0L63340125	INTAKE VALVE SEAT FOR 1 INCH WATER PUMP	1
7	0L63340126	FLAP VALVE FOR 1 IN WATER PUMP	1
8	0L63340127	DISCHARGE FUNNEL GASKET	1
9	10000022124	DISCHARGE FUNNEL FOR 1 IN DR WATER PUMP	1
10	0L63340128	PLUG	1
11	0L63340129	PLUG O-RING	1
12	0L63340130	BOLT (M6X20)	7
13	0L47990195	SPRING WASHER	7
14	0L63340131	MECHANICAL SEAL (DYNAMIC)	1

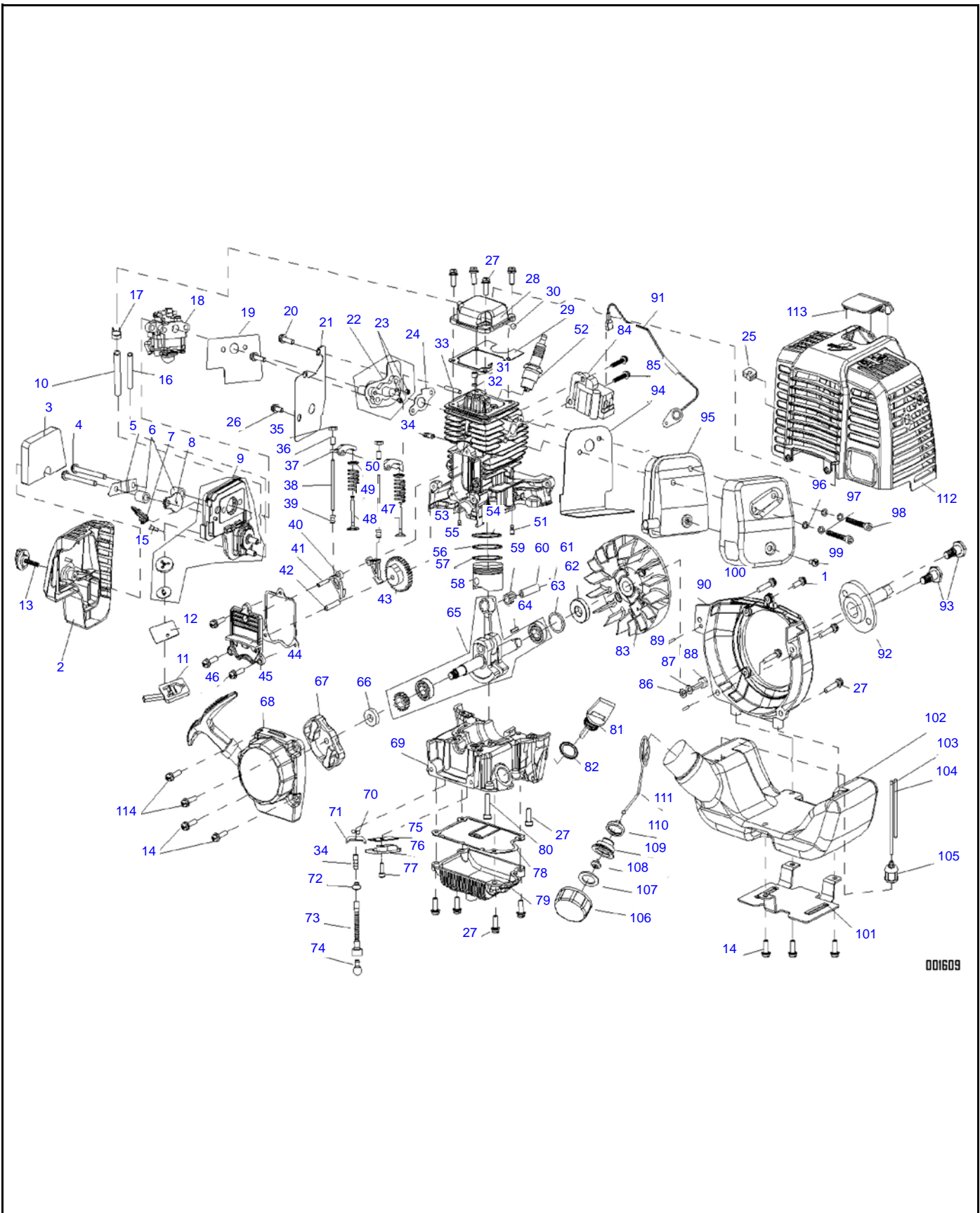
ITEM	PART NO.	DESCRIPTION	QTY
15	0L63340132	MECHANICAL SEAL (STATIONARY)	1
16	0L63340133	PUMP COVER O-RING	1
17	0L63340134	PUMP COVER	1
18	0L63340135	ALUMINUM WASHER	4
19	0L63340136	INNER HEX BOLT (M6X40)	4
20	0L63340137	IMPELLER FOR 1 IN PUMP	1
21	0L63340138	VOLUTE FOR 1 IN PUMP	1
22	0L63340139	VOLUTE SEALING O-RING	1
23	0L63340140	PUMP HOUSING	1
24	0L63340141	SPRING WASHER	4
25	0L63340142	BOLT (M8X20)	2
26	0L63340143	BOLT (M8X25)	2
27	0K96270133	O RING FOR 1/1.5 INCH EASY PRIME CAP	1
28	10000021369	CAP FOR 1/1.5 IN. DR EASY PRIME FUNNEL	1

## HOSES/STRAINER



ITEM	PART NO.	DESCRIPTION	QTY
1	0L63340121	1 INCH STRAINER	1
2	0L63340120	CLAMP	3
3	0L63340122	JOINT GRIP II	2
4	0L63340123	HOSE BARB II	2
5	0L63340124	O-RING	2
6	1000000827	DISCHARGE HOSE (1 INCH X 25 FEET)	1
7	1000000833	SUCTION HOSE (1 INCH X 10 FEET)	1

# 33.5cc Gasoline Engine (G24)



001609

Item	Part No.	Description	Qty.
1	0L47990110	SCREW (M5 X 12)	1
2	0L47990111	AIR FILTER COVER	1
3	0L47990112	AIR FILTER ELEMENT	1
4	0L47990113	SCREW (M5 X 70)	2
5	0L47990114	LEAF VALVE PRESSING PLATE	1
6	0L47990115	AIR FILTER INNER COVER SLEEVES	2
7	0L47990116	CHOKE LEVER	1
8	0L47990117	CHOKE VALVE	1
9	0L47990118	AIR FILTER INNER COVER	1
10	0L47990119	OIL PIPE	1
11	0L47990120	RUBBER PLATE	1
12	0L47990121	OIL BAFFLE	1
13	0L47990122	AIR FILTER COVER KNOB	1
14	0L47990123	FLANGED BOLT (M5 X 16)	7
15	0L47990124	AIR FILTER RETAINING VALVE	1
16	0L47990125	WINDPIPE BALANCE	1
17	0L47990126	SNAP RING (WHITE)	1
18	0L47990127	CARBURETOR	1
19	0L47990128	CARBURETOR GASKET	1
20	0L47990129	SCREW (M5 X 20)	2
21	0L47990130	AIR DEFLECTOR	1
22	0L47990131	INTAKE TUBE	1
23	0L47990132	NUT (M5)	2
24	0L47990133	INTAKE TUBE GASKET	1
25	0L47990134	IGNITION COIL FIXING SLEEVE	1
26	0L47990135	SCREW (M5 X 10)	1
27	0L47990136	SCREW (M5 X 16)	16
28	0L47990137	CYLINDER HEAD COVER	1
29	0L47990138	CYLINDER HEAD COVER GASKET	1
30	0L47990139	SMALL STEEL BEAD	1
31	0L47990140	INTAKE TUBE SEAL RING SEAT	1
32	0L47990141	INTAKE TUBE SEAL RING	1
33	0L47990142	UPPER ROCKER PIN	1
34	0L47990143	CONNECTOR	2

Item	Part No.	Description	Qty.
35	0L47990144	ADJUSTING NUT	2
36	0L47990145	ROTATOR VALVE	2
37	0L47990146	ROCKER ARM	2
38	0L47990147	PUSHROD	2
39	N/A	TAPPET VALVE	2
40	N/A	BOTTOM ROCKER ARM	2
41	N/A	BOTTOM ROCKER PIN	1
42	N/A	CAMSHAFT	1
43	N/A	CAM GEAR SET	1
44	0L47990153	SIDE COVER GASKET	1
45	0L47990154	SIDE COVER	1
46	0L47990155	SCREW (M5 X 14)	3
47	N/A	EXHAUST VALVE	1
48	N/A	INTAKE VALVE	1
49	N/A	VALVE SPRING	2
50	N/A	VALVE SPRING SEAT	2
51	N/A	CYLINDER RETAINING VALVE	2
52	0L47990161	SPARK PLUG	1
53	N/A	CYLINDER BLOCK	1
54	N/A	FIRST PISTON RING	1
55	N/A	SECOND PISTON RING	1
56	N/A	SCRAPING BLADE (OIL RING SET)	2
57	N/A	OIL RING SPRING	1
58	N/A	PISTON	1
59	N/A	PISTON PIN BEARING	1
60	N/A	PISTON PIN	1
61	N/A	PISTON PIN RETAINING CLIP	2
62	0L47990171	LARGE OIL SEAL	1
63	N/A	BEARING SNAP RING	1
64	N/A	FLAT KEY (3 X 8)	1
65	N/A	CRANKSHAFT CONNECTION ROD	1
66	0L47990175	SMALL OIL SEAL	1
67	0L47990176	STARTING DRIVE PLATE	1
68	0L47990177	RECOIL STARTER ASSEMBLY	1
69	N/A	CRANKCASE	1

Item	Part No.	Description	Qty.
70	N/A	LARGE BEAD	2
71	N/A	BEAD BAFFLE	1
72	N/A	SMALL SNAP RING	1
73	0L47990182	OIL PIPE	1
74	0L47990183	OIL PIPE BALL	1
75	0L47990184	LEAF SPRING	1
76	0L47990185	LEAF VALVE PRESSING PLATE	1
77	0L47990186	SCREW (M4 X 10)	1
78	0L47990187	OIL PAN GASKET	1
79	0L47990188	OIL PAN	1
80	0L47990189	SCREW (M5 X 35)	4
81	0L47990190	OIL DIPSTICK	1
82	0L47990191	OIL DIPSTICK GASKET	1
83	0L47990192	MAGNETO ROTOR	1
84	0L47990193	MAGNETO STATOR	1
85	0L47990194	SCREW (M4 X 20)	2
86	0J08180248	FLAT WASHER	1
87	0L47990195	SPRING WASHER	1
88	0L47990196	SCREW (M6 X 14)	1
89	0L47990197	GUIDE PIN	2
90	0L47990198	BLOWER HOUSING	1
91	0L47990199	SHUT OFF WIRE	1
92	0L47990200	CONNECTING SHAFT	1
93	0L47990201	SCREW (M8 X 20)	2
94	0L47990202	MUFFLER GASKET	1
95	0L47990203	MUFFLER	1
96	0J08180238	SPRING WASHER	22
97	0L47990204	FLAT WASHER	14
98	0L47990205	SCREW (M5 X 45)	2
99	0L47990206	SCREW (M5 X 5)	1
100	0L47990207	MUFFLER GUARD	1
101	0L47990208	FUEL TANK BRACKET	1
102	0L47990209	FUEL TANK	1
103	0L47990210	FUEL INLET PIPE	1
104	0L47990211	FUEL RETURN PIPE	1
105	0L47990212	FUEL STRAINER	1
106	0L47990213	FUEL CAP	1
107	0L47990214	FUEL CAP GASKET	1
108	0L47990215	SUCTION NOZZLE	1
109	0L47990216	SUCTION NOZZLE BRACKET	1
110	0L47990217	CHAIN SEAT	1

Item	Part No.	Description	Qty.
111	0L47990218	CHAIN	1
112	10000032208	CYLINDER SHIELD	1
113	0L47990220	SPARK PLUG PROTECTIVE COVER	1
114	0L47990221	SCREW (M5 X 20)	2

---

Part No.1000022069

Rev. A 02/27/2018

©2018 DR Power Equipment

All rights reserved

Specifications are subject to change without notice.

No reproduction allowed in any form without prior written consent from DR Power Equipment



75 Meigs Road  
Post Office Box 25  
Vergennes, Vermont 05491  
1-855-447-3734  
[www.drpower.com](http://www.drpower.com)