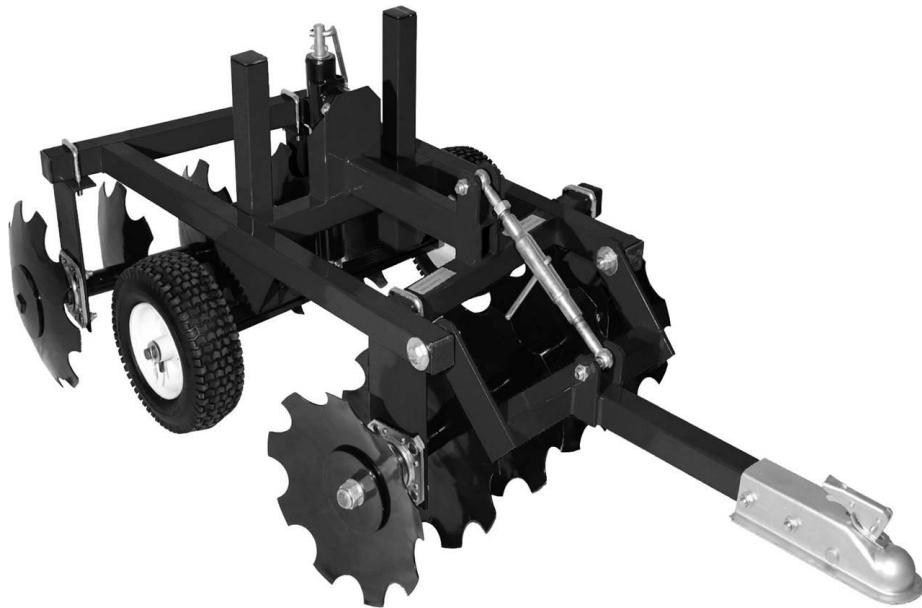




ATV Disc

OWNER'S MANUAL



WARNING:

Read carefully and understand all **ASSEMBLY AND OPERATION INSTRUCTIONS** before operating. Failure to follow the safety rules and other basic safety precautions may result in serious personal injury.

Thank you very much for choosing this product! For future reference, please complete the owner's record below:

Serial Number: _____

Order Number: _____

Purchase Date: _____

Save the receipt, the warranty, and these instructions. It is important that you read the entire manual to become familiar with this product before you begin using it.

This product is designed for certain applications only. The manufacturer cannot be responsible for issues arising from modification. We strongly recommend that this product not be modified and/or used for any application other than that for which it was designed. If you have any questions relative to a particular application, DO NOT use the product until you have first contacted us to determine if it can, or should, be performed on the product.

For technical questions, please contact us at www.DRpower.com or call **1-800-DR-OWNER (376-9637)** for assistance.

INTENDED USE

Disc cultivator that is great for deep woods, wildlife food plots, small gardens, row cultivation and yard prep work.

TECHNICAL SPECIFICATIONS

2" Ball Hitch, Tire Size: 12" -5.00-6
Ten -14" Diameter Notched Disc Blades are removable and replaceable.
2" x 2" Heavy weight steel tube design- 1/8" thick
Easily pull by 4-wheelers, garden tractors and sub-compact tractors
33" Cutting Width, 4" Cutting Depth
1" Square disc axle

GENERAL SAFETY RULES



WARNING: Read and understand all instructions. Failure to follow all instructions listed below may result in serious injury.



CAUTION: Do not allow persons to operate or assemble this disc until they have read this manual and have developed a thorough understanding of how the disc works.



WARNING: The warnings, cautions, and instructions discussed in this instruction manual cannot cover all possible conditions or situations that could occur. It must be understood by the operator that common sense and caution are factors which cannot be built into this product, but must be supplied by the operator.

SAVE THESE INSTRUCTIONS

WORK AREA

- **Keep work area clean**, free of clutter and well lit. Cluttered and dark work areas can cause accidents.
- **Keep children and bystanders** away while operating a disc. Distractions can cause you to lose control, so visitors should remain at a safe distance from the work area.
- **Be aware of all power lines, electrical circuits**, water pipes and other mechanical hazards in your work area, particularly those hazards below the work surface hidden from the operator's view that may be unintentionally contacted and may cause personal harm or property damage.
- **Be alert of your surroundings**. Using a disc in confined work areas may put you dangerously close to cutting tools and rotating parts.

PERSONAL SAFETY

- **Stay alert**, watch what you are doing and use common sense when using a disc. Do not use a disc while you are tired or under the influence of drugs, alcohol or medication. A moment of inattention while operating a disc may result in serious personal injury.
- **Dress properly**. Do not wear loose clothing, dangling objects, or jewelry. Keep your hair, clothing and gloves away from moving parts. Loose clothes, jewelry or long hair can be caught in moving parts.
- **Use safety apparel and equipment**. Use safety goggles or safety glasses with side shields which comply with current national standards, or when needed, a face shield. Use as dust mask in dusty work conditions. This applies to all persons in the work area. Also use non-skid safety shoes, hardhat, gloves, dust collection systems, and hearing protection when appropriate.

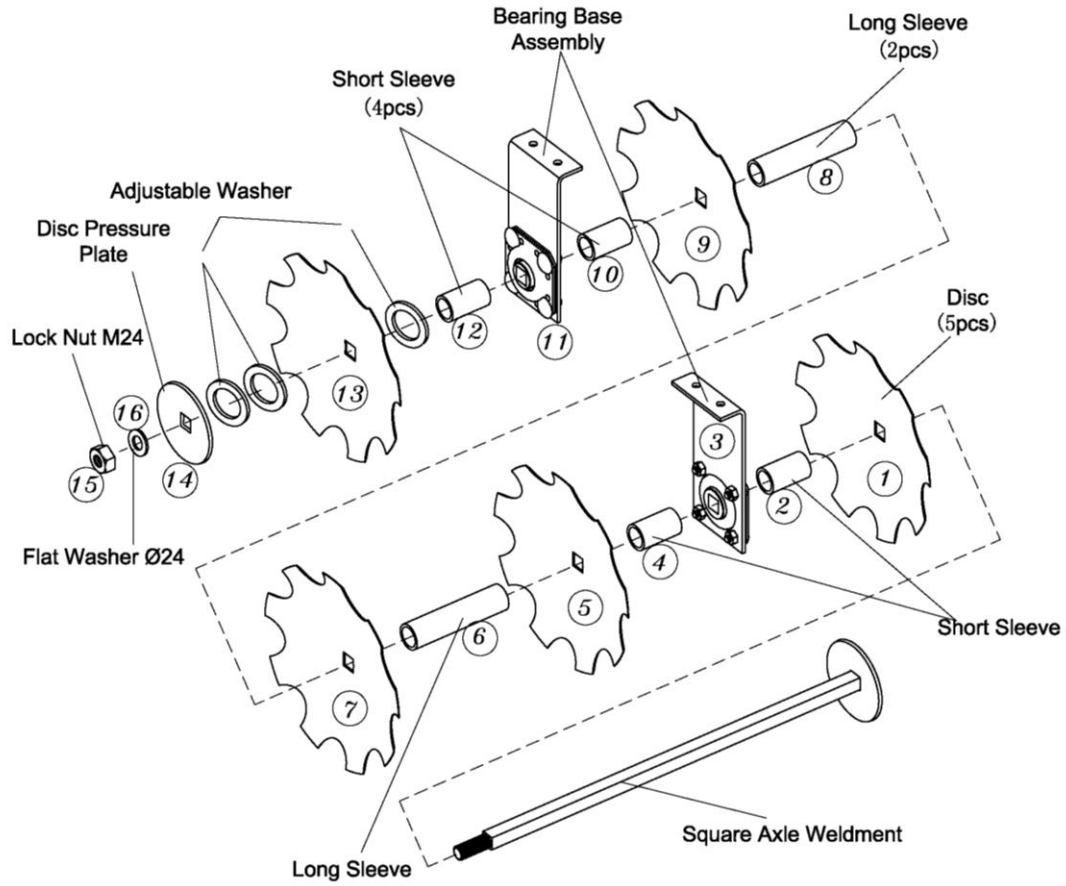
DISC USE AND CARE

- **Do not modify the disc in any way**. Unauthorized modification may impair the function and/or safety and could affect the life of the equipment. There are specific applications for which the disc was designed.
- **Always check for damaged or worn out parts before using the disc**. Broken parts will affect the disc operation. Replace or repair damaged or worn parts immediately.
- **Do not exceed the disc load capacity**.
- **Distribute the load evenly**. Uneven loads may cause the disc to tip, resulting in personal injury to the operator or others.
- **Use the disc on flat and level surfaces** capable of supporting the disc and its maximum load. Pulling or pushing a load on a slanted or uneven surface can result in loss of control.
- **Store idle disc**. When disc is not in use, store it in a secure place out of the reach of children. Inspect it for good working condition prior to storage and before re-use.

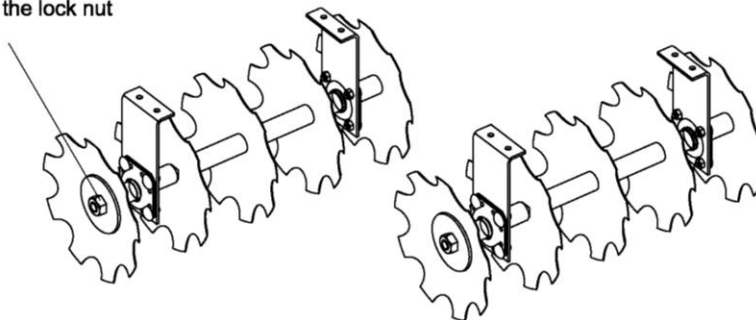
ASSEMBLY

Step 1: Assemble the two disc gang assemblies as shown in diagram.

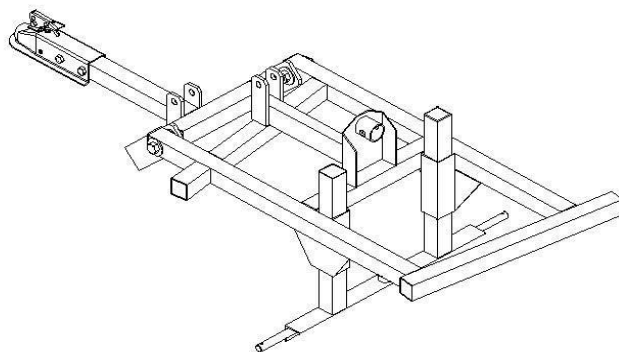
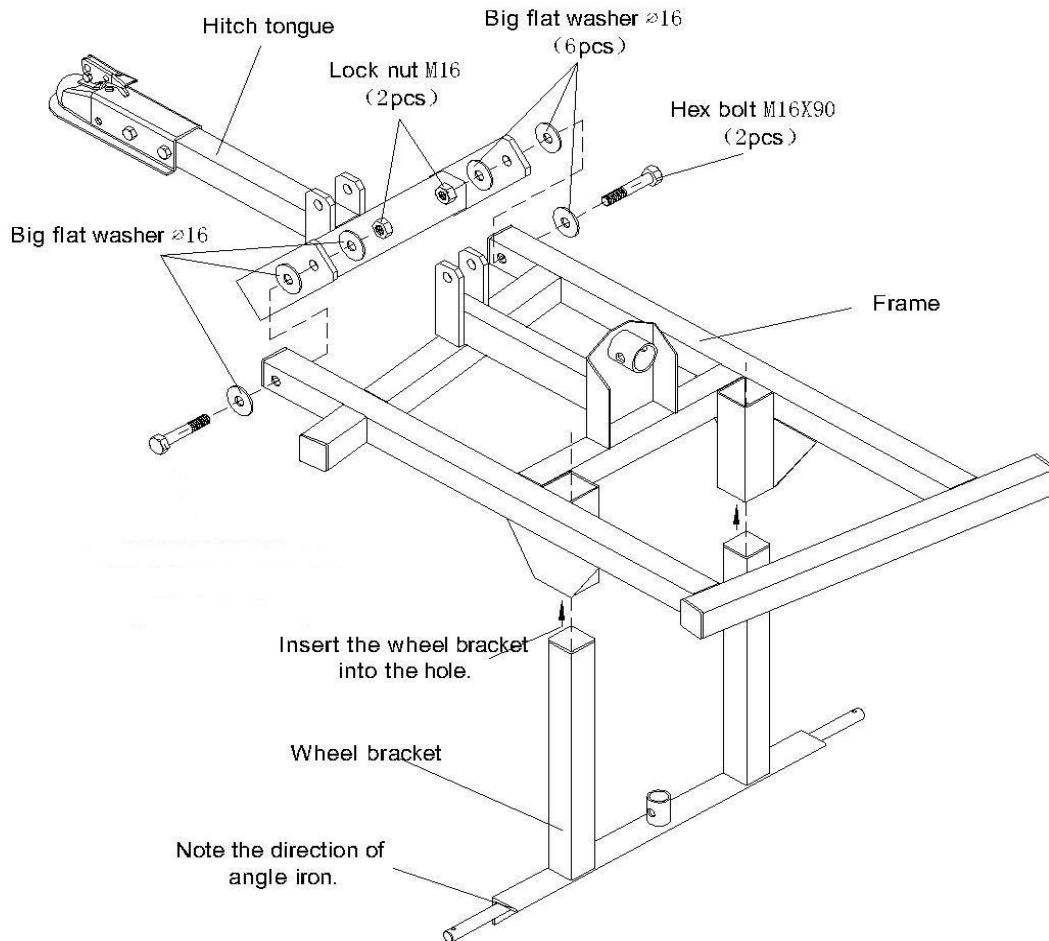
Note: The diagram shows each item number as it is assembled onto the Square Axle Weldment. Tighten Lock Nut so all discs are tight on Square Axle Weldment.



Tighten the lock nut

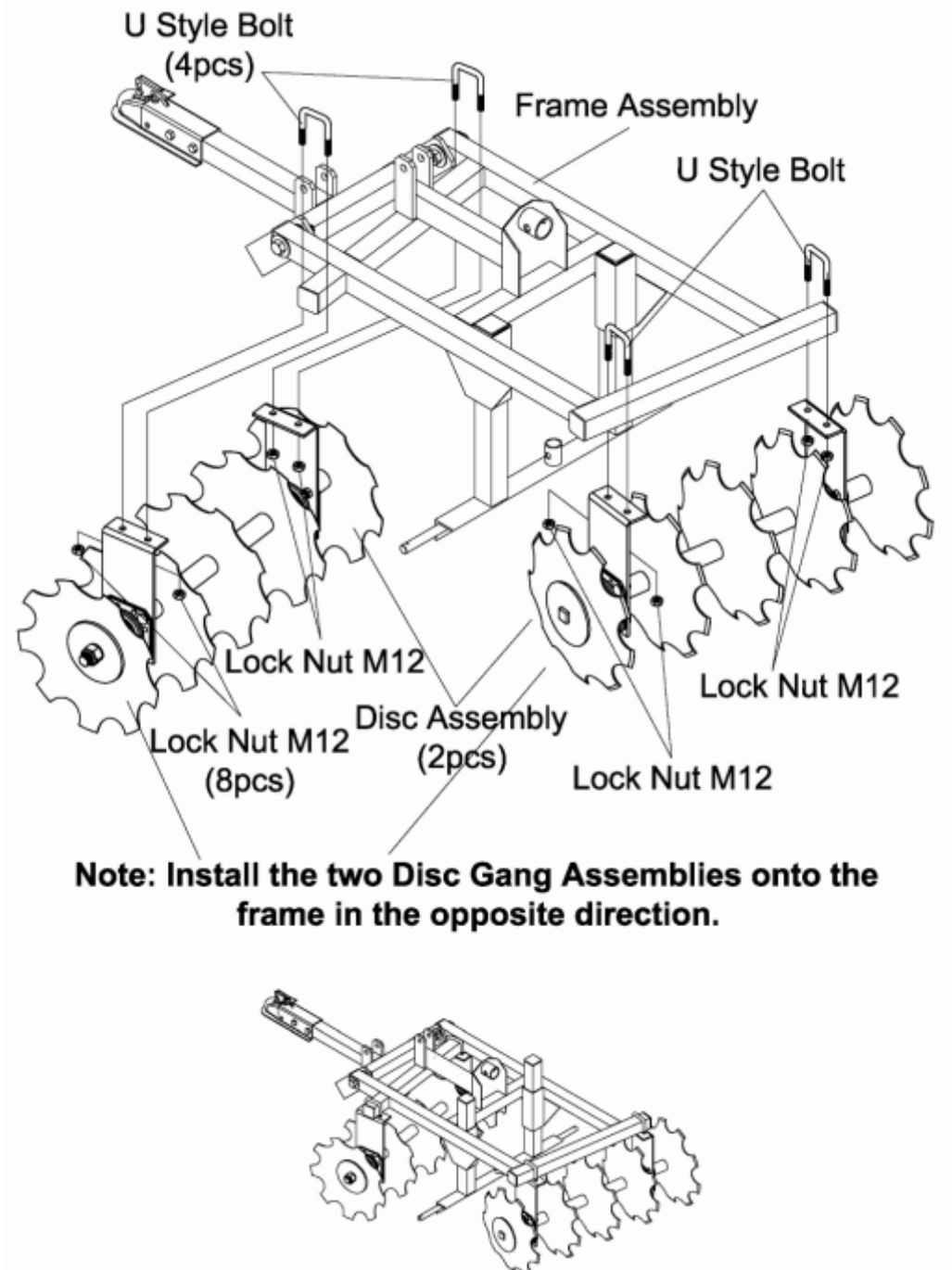


Step 2: Assemble the Hitch Tongue to the Frame using the Hex Bolts, Big Flat Washers and Lock Nuts. Note: Do not over tighten Hex Bolts and Lock Nuts, the Hitch Tongue should rotate up and down freely. Install the Wheel Bracket into the frame as shown in diagram. Note: Check the direction of angle iron on the wheel bracket as shown in diagram.



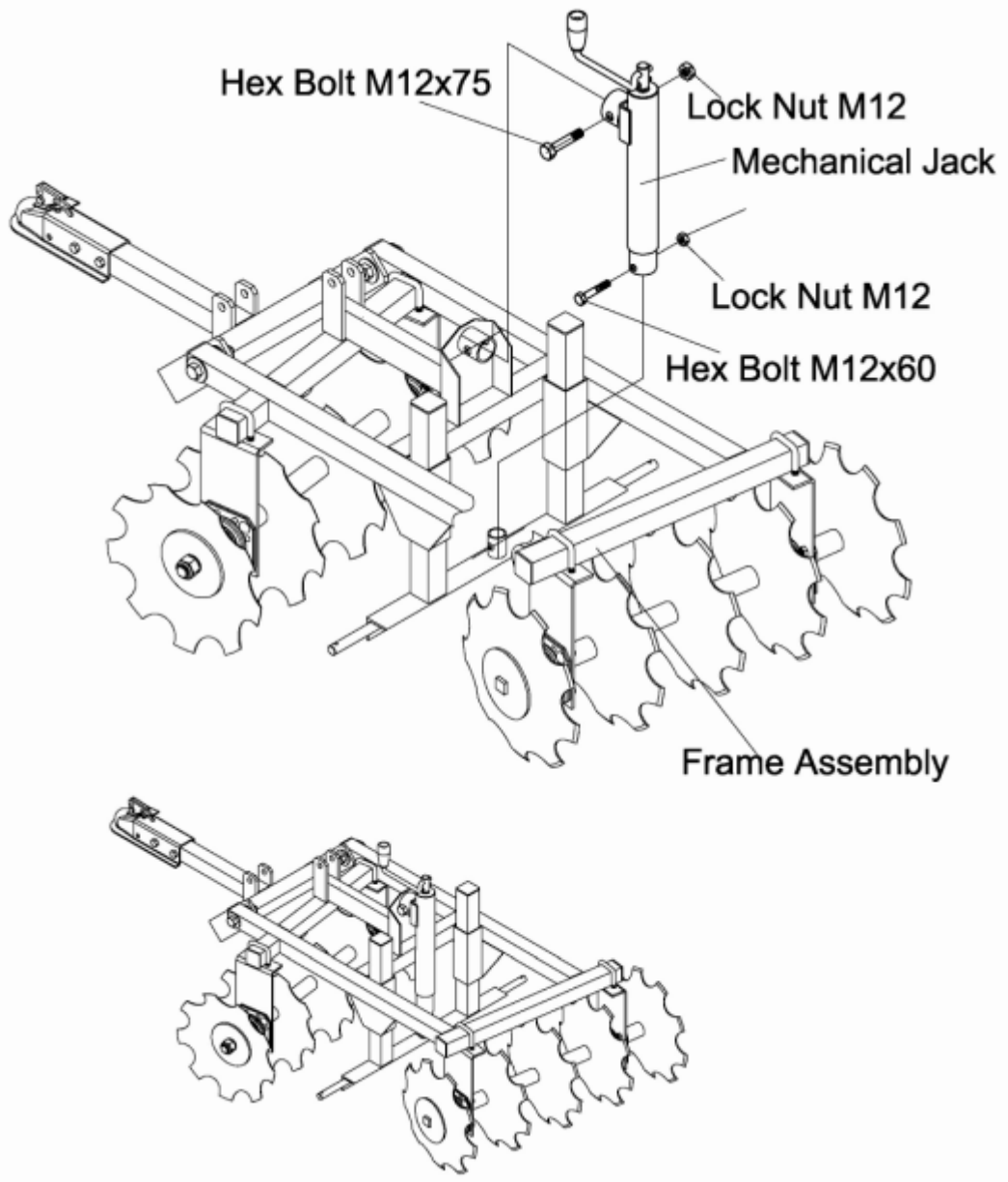
Step 3: Install the two Disc Gang assemblies to the frame using the U bolts and Lock Nuts as shown in diagram.

Note: Install the two Disc Gang assemblies in the opposite direction, if they are installed incorrectly the disc will not function properly.

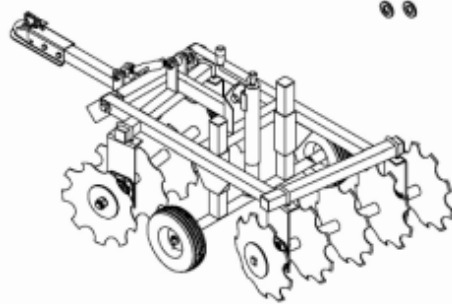
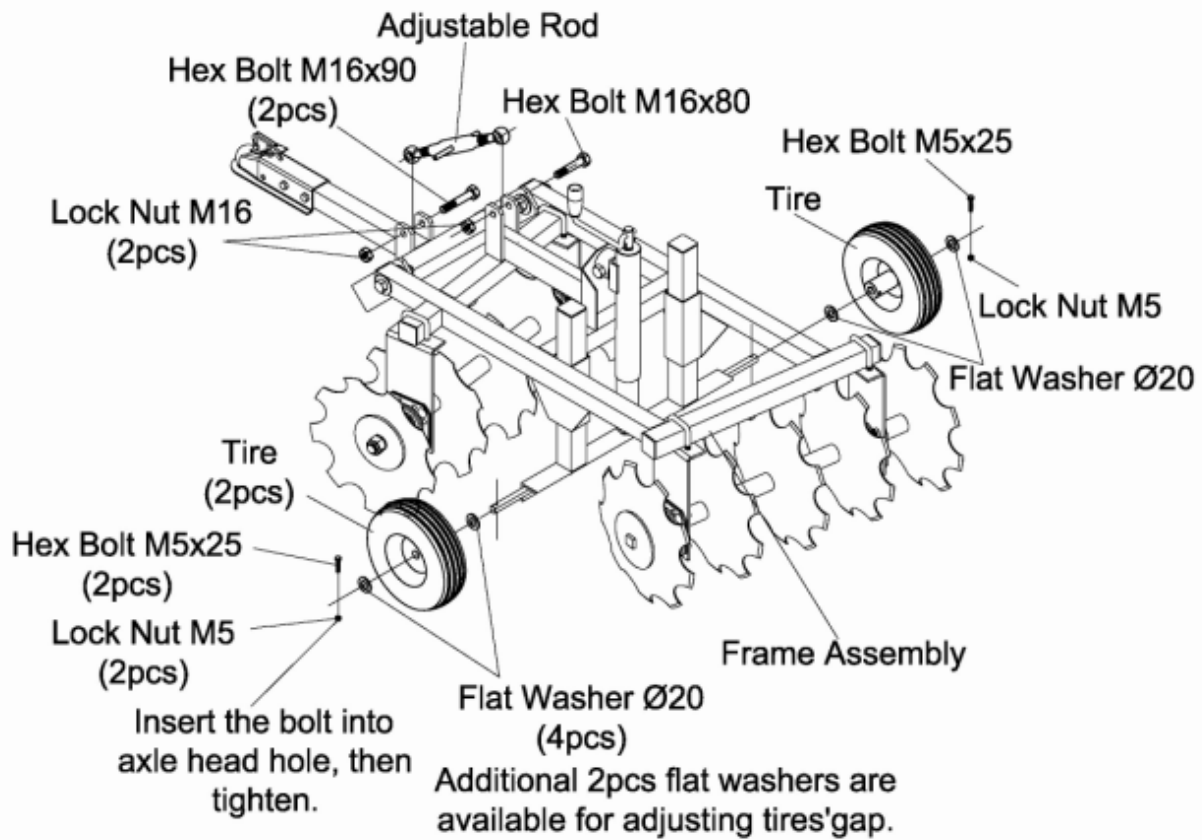


Step 4: Install the Mechanical Screw Jack onto the frame as shown in the diagram using the Hex bolts and Lock Nuts.

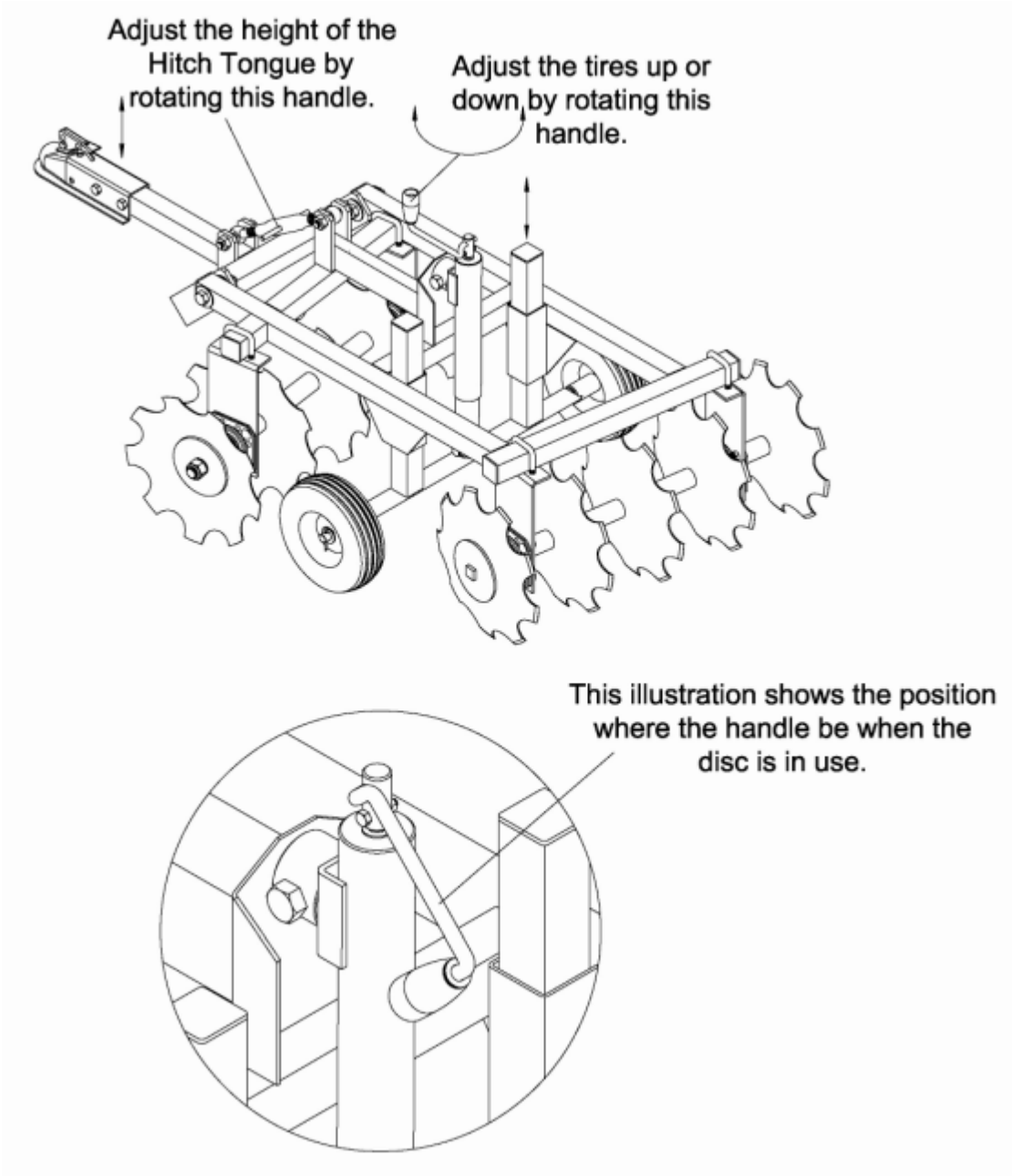
Note: Do not over tighten these two bolts and Lock Nuts.



**Step 5: Install Adjustable Rod to the Hitch Tongue and the Frame using the Hex Bolts and Lock Nuts as Shown.
Install the Tires onto the Wheel bracket using the Flat Washers, Hex Bolts and Lock Nuts as shown.**



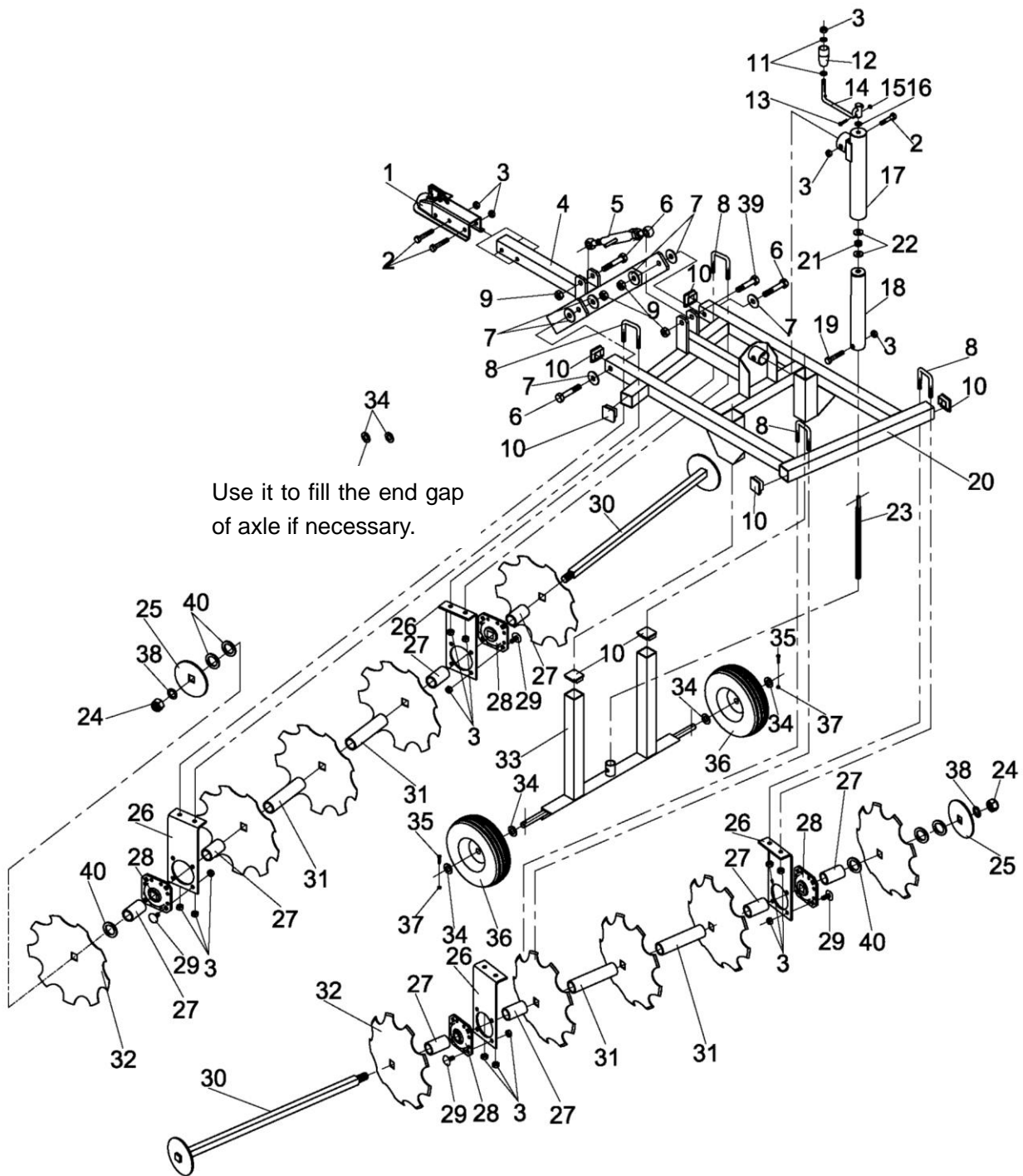
Step 6: There maybe some adjusting of the Hitch Tongue for the height of towing vehicle, this function can be performed by rotating handle on Adjusting Rod. Rotating the handle on the Mechanical Screw Jack will raise the tires up down.



MAINTENANCE

- **Maintain your disc.** It is recommended that the general condition of any disc be examined before it is used. Keep your disc in good repair by adopting a program of conscientious repair and maintenance. If any abnormal vibrations or noise occurs, have the problem corrected before further use. Have necessary repairs made by qualified service personnel.

DIAGRAM & PARTS LIST



REF#	DESCRIPTION	PART#	QTY
1	2" Coupling	40995	1
2	Hex Bolt M12x75	40996	3
3	Hex Lock Nut M12	40997	29
4	Hitch Tongue	40998	1
5	Adjustable Rod	40999	1
6	Hex Bolt M16x90	41000	3
7	Big Flat Washer Ø16	41001	6
8	U Style Bolt	41002	4
9	Nylon Lock Nut M16	41003	4
10	End Cap	41004	7
11	Flat Washer Ø12	41005	2
12	Handle Grip	41006	1
13	Hex Bolt M6x30	41007	1
14	Handle	41008	1
15	Nylon Nut M6	41009	1
16	Big Flat Washer Ø12	41010	1
17	Outside Sleeve	41011	1
18	Inside Sleeve	41012	1
19	Hex Bolt M12x60	41013	1
20	Frame	41014	1

REF#	DESCRIPTION	PART#	QTY
21	Bearing	41015	1
22	Thick Flat Washer Ø12	41016	2
23	Threaded Rod	41017	1
24	Nylon Lock Nut M24	41018	2
25	Disc Pressure Plate	41019	2
26	Disc Support Plate	41020	4
27	Short Sleeve	41021	8
28	Bearing Base Assembly	41022	4
29	Carriage Bolt M12x30	41023	16
30	Square Axle Weldment	41024	2
31	Long Sleeve	41025	4
32	Disc	41026	10
33	Wheel Bracket	41027	1
34	Flat Washer Ø20	41028	6
35	Hex Bolt M5x25	41029	2
36	Tire	41030	2
37	Nylon Lock Nut M5	41031	2
38	Flat Washer Ø24	41032	2
39	Hex Bolt M16x80	41033	1
40	Adjustable Washer Ø36	41034	6

For replacement parts and technical questions, please contact us at www.DRpower.com or call **1-800-DR-OWNER (376-9637)** for assistance.

WARRANTY

Two-year limited warranty



**75 Meigs Rd, PO Box 25
Vergennes, VT 05491**