

# DR® 3PT QUICK HITCH

## SAFETY & OPERATING INSTRUCTIONS



DR Power Equipment  
Toll-free phone: 1-800-DR-OWNER (376-9637)  
Fax: 1-802-877-1213  
Website: [www.DRpower.com](http://www.DRpower.com)

Order No. \_\_\_\_\_

### **WARNING**

Read and understand this manual and all instructions before operating the DR 3PT QUICK HITCH.



## Table of Contents

Chapter 1: General Safety Rules.....	4
Chapter 2: Setting Up the DR 3PT QUICK HITCH.....	8
Chapter 3: Operating The DR 3PT QUICK HITCH.....	10
Chapter 4: Maintaining The DR 3PT QUICK HITCH.....	14
Chapter 5: Parts Lists, Schematic Diagrams and Warranty.....	16

### *Conventions used in this manual*

---

#### **WARNING**

This indicates a hazardous situation which, if not avoided, *could* result in death or serious injury.

---

---

#### **CAUTION**

This indicates a hazardous situation which, if not avoided, *could* result in minor or moderate injury.

---

---

#### **NOTICE**

This information is important in the proper use of your machine. Failure to follow this instruction could result in damage to your machine or property.

---

### *Additional Information and Potential Changes*

DR Power Equipment reserves the right to discontinue, change, and improve its products at any time without notice or obligation to the purchaser. The descriptions and specifications contained in this manual were in effect at printing. Equipment described within this manual may be optional. Some illustrations may not be applicable to your machine.

## Chapter 1: General Safety Rules

---

### **WARNING**

Read this safety & operating Instructions manual before you use the DR 3PT QUICK HITCH. Become familiar with the operation and service recommendations to ensure the best performance from your machine. If you have any questions or need assistance, please contact us at [www.DRpower.com](http://www.DRpower.com) or call toll-free 1-800-DR-OWNER (376-9637) and one of our Technical Support Representatives will be happy to help you.

---

### **Labels**

Your DR 3PT QUICK HITCH carries prominent labels as reminders for its proper and safe use. Shown below are copies of all the Safety and Information labels that appear on the equipment. Take a moment to study them and make a note of their location on your 3PT QUICK HITCH as you set up and before you operate the unit. Replace damaged or missing safety and information labels immediately.



40044

## Protecting Yourself and Those Around You

---

### **WARNING**

Always take the following precautions when operating this QUICK HITCH:

- Always wear protective goggles or safety glasses with side shields while using the DR 3PT QUICK HITCH to protect your eyes from possible thrown debris.
  - Wear shoes with non-slip treads when using your DR 3PT QUICK HITCH. If you have safety shoes, we recommend wearing them. Do not use the DR 3PT QUICK HITCH while barefoot or wearing open sandals.
  - Read and understand your Tractors Operators manual to be familiar with all the tractor's functions.
  - Wear Gloves to protect your hands from injury.
  - Use ear protectors or ear plugs rated for at least 20 dB to protect your hearing from Tractor noise.
- 

## Operating the DR 3PT QUICK HITCH Safely

---

### **WARNING**

You must operate the 3PT QUICK HITCH safely. Unsafe operation can create a number of hazards for you. Always take the following precautions when using this Quick Hitch:

- Read, understand, and follow all instructions in this manual. Be thoroughly familiar with the controls and the proper use of your Quick Hitch before using.
  - When hooking up to an Implement, never allow anyone to stand between the Tractor and Implement.
  - Watch for traffic when operating in or near roadways. Pay extra attention when operating near public roadways.
  - When operating in a roadway, we suggest that you put out obstructions (marker cones or pails) to divert any traffic away from your work area.
  - Be aware of your surroundings when operating the DR 3PT QUICK HITCH, e.g. ditches, culverts, drop-offs, and hills.
  - Never allow people who are unfamiliar with these instructions to use the DR 3PT QUICK HITCH.
  - To be safe, do not operate the Quick Hitch near small children or pets, and never allow children to operate the 3PT QUICK HITCH. Stop the grading action when another person or pet approaches.
  - Do not allow people to ride on the Quick Hitch.
  - Do not, under any conditions, remove, bend, cut, fit, weld, or otherwise alter standard parts on the DR 3PT QUICK HITCH. Modifications to your machine could cause personal injuries and will void your warranty.
  - While using the DR 3PT QUICK HITCH, don't hurry or take things for granted.
  - Do not operate the Quick Hitch when under the influence of alcohol or medication.
  - Before Hitch use, both locking lugs must be in the lock position to secure the Implement pins.
  - Use the DR 3PT QUICK HITCH only in daylight or good artificial light.
  - For safest operation and to prevent serious injury or death, use a tractor equipped with a Roll-Over Protective System (ROPS) and kept in the "locked up" position at all times
  - To prevent serious injury or death when using the DR 3PT Quick Hitch a minimum 20% of the combined Tractor and Implement weight must be kept on the front wheels. Weight distribution can be obtained with the use of front Wheel Weights, front Tractor Weights or a front end loader. Do not exceed the Tractor's ROPS weight certification while attaining the combined minimum 20% of tractor and Implement weight on the front wheels. For the best accurate results, weigh your Tractor and Implement.
  - When operating on or near slopes or sharp dips, reduce speed and take care when making sharp turns or changing directions to minimize loss of control or tipping. Avoid making sudden stops or starts on slopes.
  - Operate Tractor controls from the Tractor seat only.
-

## *Operating the DR 3PT QUICK HITCH Safely (continued)*

---

### **CAUTION**

The DR 3PT QUICK HITCH must be operated safely to prevent or minimize the risk of minor or moderate injury. Unsafe operation can create a number of hazards for you. Always take the following precautions when operating this 3PT QUICK HITCH:

- Keep in mind that the operator or user is responsible for accidents or hazards occurring to other people, their property, and themselves.
  - Inspect your Tractors hydraulic system to assure that it is in proper working order. Refer to your Tractors operators' manual for maintenance and safety instructions.
  - Keep all nuts and bolts tight and keep the equipment and attachments in good operating condition.
  - Never leave the DR 3PT QUICK HITCH unattended. If you leave the area, shut off the tow vehicle, and remove the key.
  - Keep all nuts and bolts tight and keep the equipment and attachments in good operating condition.
  - Use only manufacturer-recommended replacement parts.
  - Do not use the DR 3PT QUICK HITCH in a manner not in accordance with these instructions.
- 

### *Safety for Children and Pets*

### **WARNING**

Tragic accidents can occur if the operator is not alert to the presence of children and pets. Children and pets are often attracted to the Tractor activity. **Never** assume that children or pets will remain where you last saw them.

- Keep children out of the working area and under the watchful care of a responsible adult.
  - Be alert, stop and turn the tow vehicle off if children or pets enter the work area.
  - Never allow children to operate the DR 3PT QUICK HITCH.
  - Never allow children or pets to ride on the Tractor or the DR 3PT QUICK HITCH.
- 

### *California Proposition 65*

### **WARNING**

California Proposition 65:

- This product contains or emits chemicals known to the State of California to cause cancer, birth defects, and other reproductive harm.
- 

### *A Note to All Users*

No list of warnings and cautions can be all-inclusive. If situations occur that are not covered by this manual, the operator must apply common sense and operate this DR 3PT QUICK HITCH in a safe manner. Contact us at [www.DRpower.com](http://www.DRpower.com) or call 1-800-DR-OWNER (376-9637) for assistance.



## Chapter 2: Setting Up the DR 3PT QUICK HITCH

It may be helpful to familiarize yourself with the controls and features of your DR 3PT QUICK HITCH as shown in Figure 1 before beginning these procedures. If you have any questions at all, please feel free to contact us at [www.DRpower.com](http://www.DRpower.com).

### DR 3PT QUICK HITCH Controls and Features

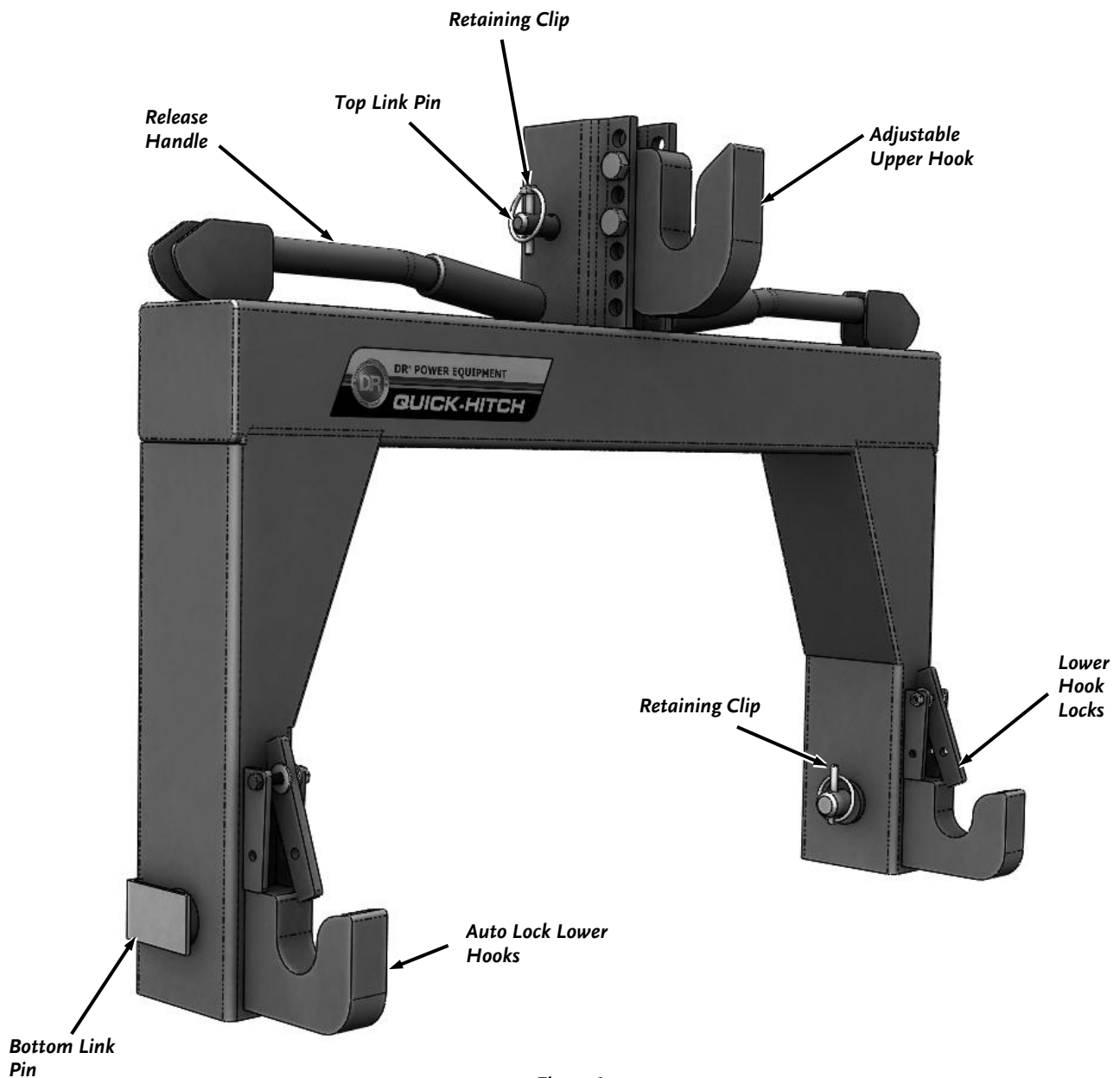


Figure 1



## Specifications

Tractor Requirements	20-45 HP Category 1 Tractor
3-Point Hitch Linkage Specs	Category 1 Hitch
Top Hitch	Stationary
Hitch Pin Lock	Automatically locks on implement's lower 3-point hitch pins
Maximum Lift Capacity	2000 lbs. at 24" back from Cat. I implement lower 3-point hitch pins
Dimensions	30"W X 8"L X 24"H
Weight	110 lbs

### Main Parts (Figure 2 and Table below)

Item#	Description	Qty
1	Quick Hitch Frame.....	2
2	Cat 1 Quick hitch Bushings W/Roll Pins.....	2
3	Top Link Pin .....	1
4	Adapter, Top Link.....	1
5	Retaining Clip.....	1

### Connecting the DR 3PT QUICK HITCH to your Tractor

#### CAUTION

The Quick Hitch Frame is heavy. Have a helper assist you when attaching to the Tractor to avoid injury.

The following procedure is for connecting the DR 3PT QUICK HITCH to your Tractors Lift Arms and Top Link.

1. Find a clean flat surface to work on.
2. Lower your Tractor's Lift Arms all the way down. Shut off your Tractor's engine, set the parking brake and remove the key.
3. Remove the Retaining Clips from the Bottom Link Pins and remove the Bottom Link Pins from the Quick Hitch (**Figure 3**).
4. Position the Quick Hitch upright on the ground close to the Lift Arms of the Tractor with the Lower Auto Lock Hooks facing Away from the Tractor.
5. Lift the Quick Hitch up to the Lift Arms on the Tractor. Align the holes in the Quick Hitch with the holes in the Tractors Lift Arms and insert the Bottom Link Pins. Secure the Bottom Link Pins with the Retaining Clips.
6. Position the Tractors Top Link into the Quick Hitch Top Link Bracket and secure it with the Top Link Pin and Retaining Clip
7. Level the Quick Hitch by Adjusting the Tractors Top Link. Refer to the Tractors Operators manual for specific instructions.

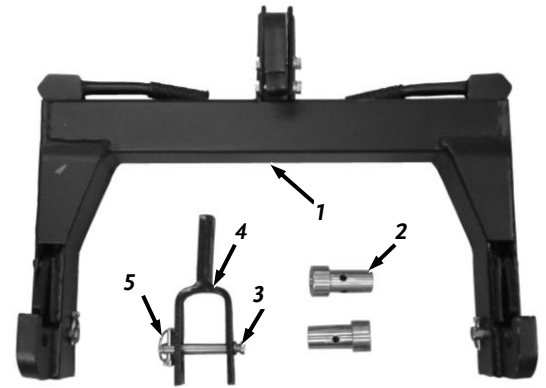


Figure 2

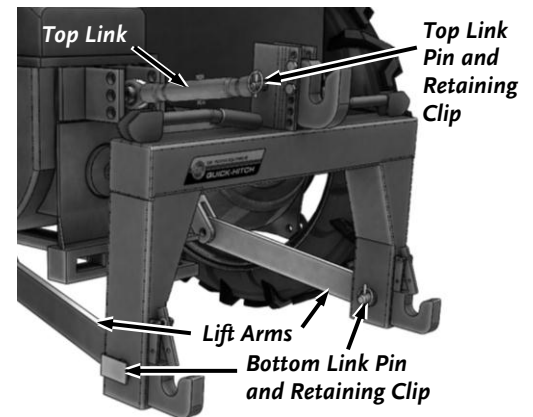


Figure 3

## Chapter 3: Operating The DR 3PT QUICK HITCH

It may be helpful to better familiarize yourself with the features of your Quick Hitch by reviewing **Figure 1** in Chapter 2 before beginning the steps outlined in this chapter.

### Operating Safety

#### **⚠ WARNING**

- Never allow anyone to operate the DR 3PT QUICK HITCH without first reading and understanding all instructions in this manual. Be thoroughly familiar with the controls and the proper use of your Quick Hitch before using.
- Never let people ride on the Quick Hitch.
- Never allow people to stand between the Tractor and the Implement.
- Never operate the Hydraulic controls when someone is standing behind the Tractor or by the Implement.

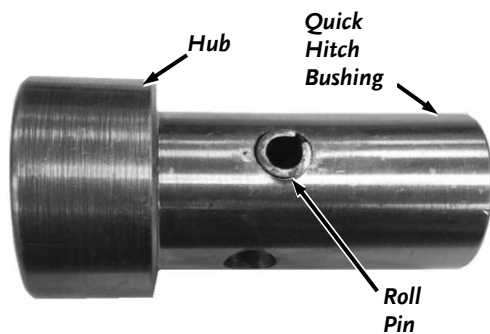


Figure 4

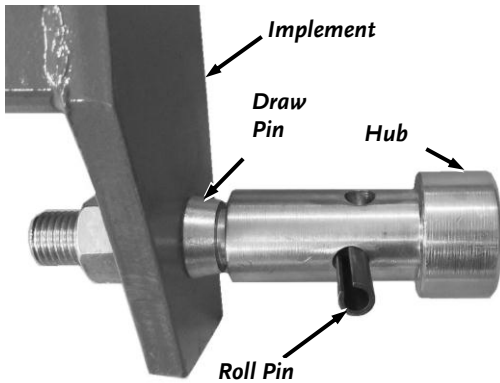


Figure 5

### **Attaching the Quick Hitch Bushings to your Implement.**

To assure proper fit and function of the Implement to the 3PT QUICK HITCH Your Quick Hitch comes supplied with Quick Hitch Bushings that need to be installed onto the Cat 1 Draw Pins of the Implement.

#### **Tools Needed:**

- Hammer.
- 7/16" Punch.

1. Remove the pre installed Roll Pins from the Quick Hitch Bushings using a Hammer and 7/16" Punch (**Figure 4**).
2. Slide the Quick Hitch Bushings onto the Draw Pin of the Implement with the Hub facing outward (**Figure 5**).
3. Line up the hole in the Bushing with the hole in the Draw Pin.
4. Insert the Roll Pin flush with the Bushing using a Hammer.
5. Repeat steps 1-4 for the other Draw Pin.

## Adjusting the Upper Hook

### Tools needed:

- Two 19mm Wrenches.

**Note:** The Upper Hook on your Dr 3pt Quick Hitch comes installed upside down for shipping. This will need to be adjusted for use.

1. Remove the Bolts and Nuts that hold the Upper Hook to the Frame using two 19mm wrenches and remove the Upper Hook (**Figure 6**).
2. Slowly back the Tractor up to the Implement and lift the Lower Hooks so that the Hooks are at the same height as the Quick Hitch bushings.
3. Position the Top Hook onto the Quick Hitch at the same height as the Top Link Mount of the implement.
4. Secure the Upper Hook to the Quick Hitch with the Bolts and Nuts previously removed and tighten using two 19mm Wrenches.

## Connecting the DR 3PT QUICK HITCH to Implements

1. Assure the release levers are into the Lock position (**Figure 7**).
2. Lower the Tractors 3PT lift arms so that the Lower Hooks are below the Quick Hitch Bushings and the Upper Hook is below the Top Link mounting point.
3. Back the Tractor up centering the Quick Hitch to the Implement and align the Lower hooks so they are under the Quick Hitch Bushings.
4. Gradually raise the Lift Arms until the Lower Hook Locks lock on to the Bushings and the Upper Hook has captured the Top link Mount (**Figure 8**).
5. If your Implement has a PTO drive, follow the Implements guidelines for PTO drive line hook up and length.

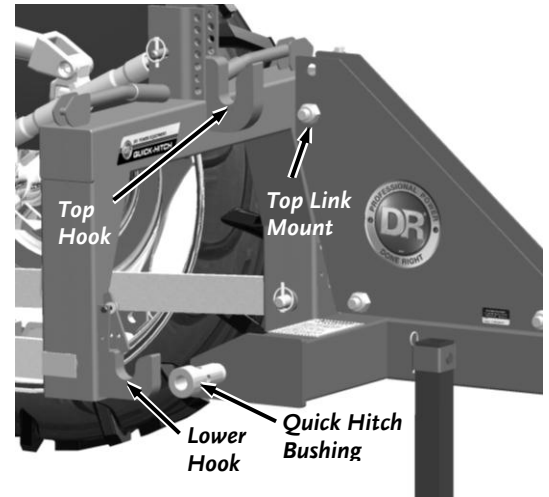


Figure 6

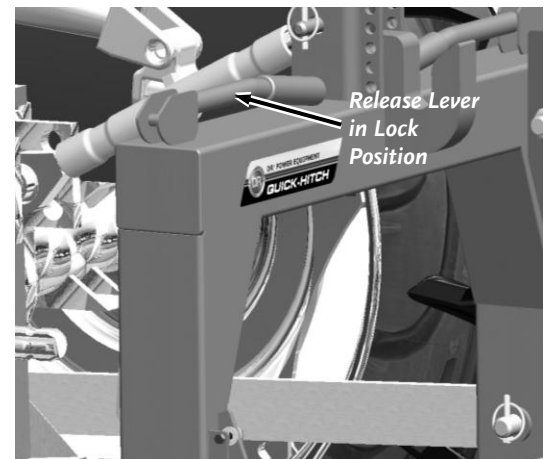


Figure 7

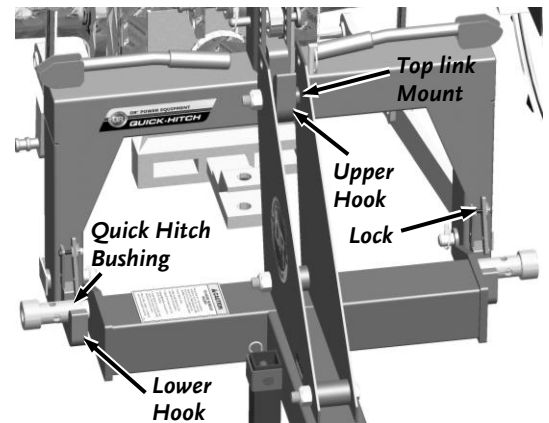


Figure 8

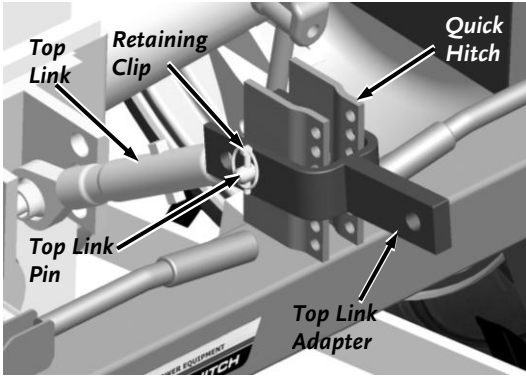


Figure 9

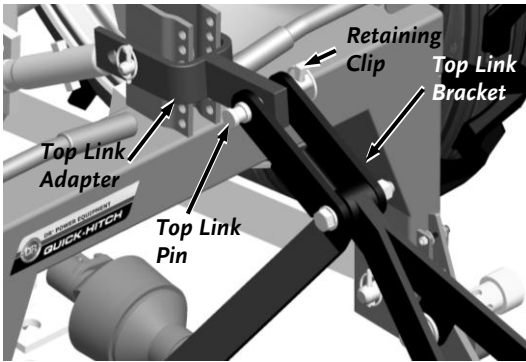


Figure 10

## Connecting The DR 3PT Quick Hitch to Implements with a Floating Top Link.

### Tools Needed:

- Two 19mm Wrenches
1. Lower The Quick Hitch to the ground.
  2. Remove The Bolts and Nuts that hold the Upper Hook to the 3PT Quick Hitch Using two 19mm Wrenches. Remove the Upper Hook.
  3. While supporting the Quick Hitch, remove the Retaining Clip that secures the Top Link Pin and remove the Top Link Pin.
  4. Position the Top Link Adapter over the 3PT Quick Hitch and Insert the Top Link Pin capturing the Top Link Adapter, Quick Hitch and Top Link. Secure with Retaining Clip (**Figure 9**).
  5. Assure the Release Levers are in the Locked position (**Figure 7**).
  6. Back the Tractor up centering the Quick Hitch to the Implement and align the Lower hooks so they are under the Quick Hitch Bushings.
  7. Gradually raise the Lift Arms until the Lower Hook Locks lock on to the Bushings(**Figure 8**). Do not raise the Implement off the ground.
  8. Attach the Top Link Adapter to the Floating Top Link Bracket on the Implement using the Implements Top Link Pin and Retaining Clip (**Figure 10**).
  9. If your Implement has a PTO drive, follow the Implements guidelines for PTO drive line hook up and length.

## Unhooking Implements from The DR 3PT Quick Hitch.

1. Park the Tractor and Implement on Level Ground.
2. If the Implement has a Parking Stand, secure it in the parked position and lower the implement to the ground.
3. If the implement is PTO driven, Shut off the Tractors Engine, set the parking brake and remove the Key then disconnect the PTO Shaft.
4. Move the Release Levers to the Unlock position (**Figure 11**).
5. Lower the Quick Hitch so that the Lower Hooks drop below the Bushings and the Upper Hook is below the Top Link Mount, drive forward slowly until the Quick Hitch is clear of the implement.

## Unhooking the DR 3PT Quick Hitch from the Lift Arms

### CAUTION

The Quick Hitch Frame is heavy. Have a helper assist you when Removing the Quick Hitch from the Tractor to avoid injury.

1. Park the Tractor on Level Ground, turn off the engine, set the parking brake and lower the Lift Arms completely down.
2. Set the release handles in the Lock Position.
3. Keep the Quick hit from rotating while Removing the Retaining Clip and Top Link Pin that hold the Top Link to the Quick Hitch.
4. While continuing to support the Quick Hitch, remove the lower Retaining Clips and Hitch Pins (**Figure 12**). Lower the Quick Hitch to the Ground.
5. Replace the removed Hitch Pins and Retaining Clips in the Quick Hitch for easy storage. Store the Quick Hitch in a safe and dry place.

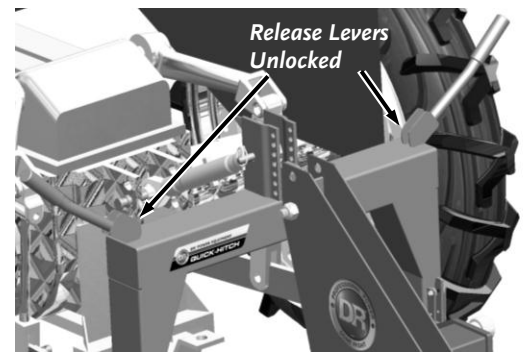


Figure 11

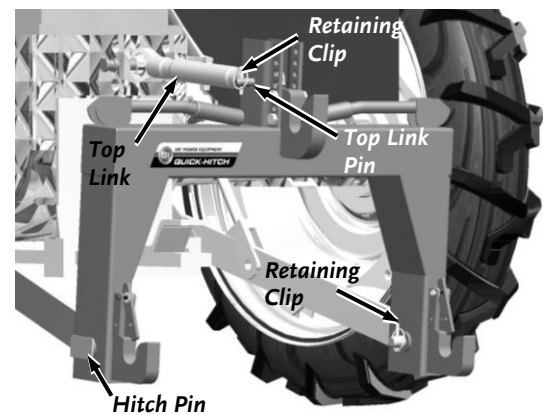


Figure 12

## Chapter 4: Maintaining The DR 3PT QUICK HITCH

Regular maintenance is the way to ensure the best performance and long life of your Quick Hitch. Please refer to this Chapter for maintenance intervals and procedures.

### **! WARNING**

Before performing any maintenance, you must first shut off the Tractor, remove the key and set the parking brake.

### Regular Maintenance Checklist

PROCEDURE	BEFORE EACH USE	EVERY 25 HOURS
Check general Implement condition e.g., Nuts, Bolts, welds, etc.	▲	
Use a Hose or Pressure washer to clean the DR 3PT QUICK HITCH	▲	
Lubricate Lock Pivot Points		▲

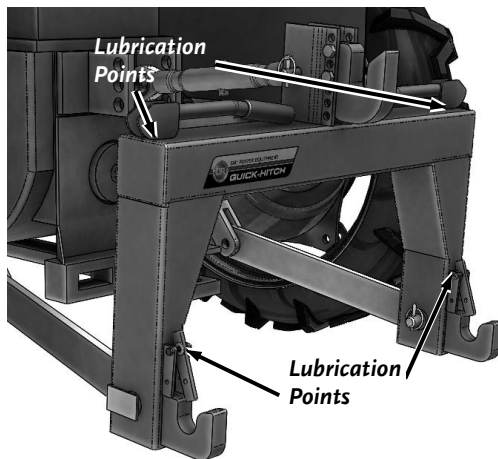


Figure 13

### Lubrication

#### Tools and Supplies Needed:

- Multipurpose Spray Lube
- Clean Rags

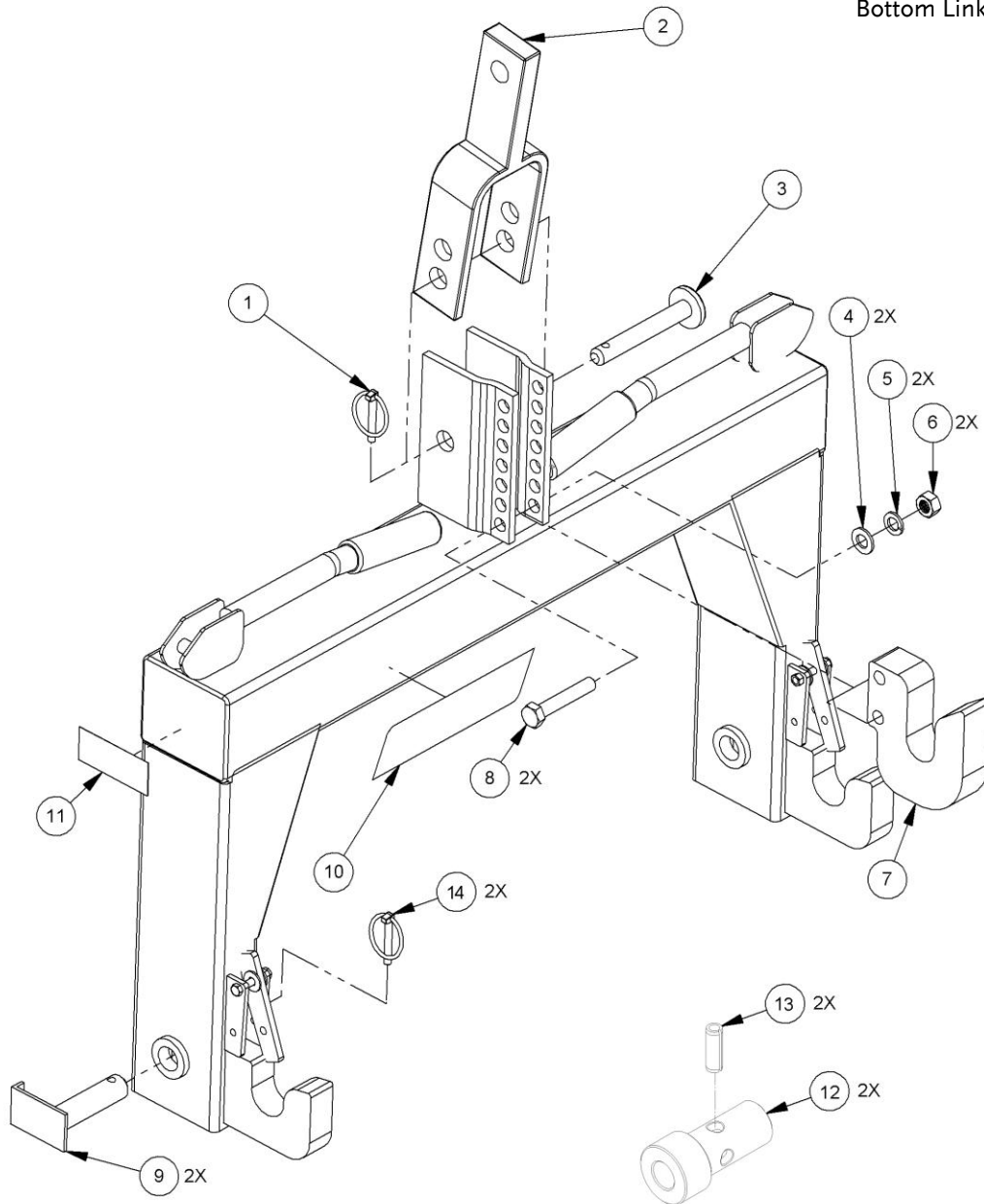
1. Clean the debris from around Lubrication Points with a Rag (**Figure 13**).
2. Spray Lubricant on the Lubrication points as needed to keep them from rusting and seizing up.



**Parts List and Schematic – QUICK HITCH ASSEMBLY**

*Note: Part numbers listed are available through DR Power Equipment.*

Ref#	Part#	Description	Ref#	Part#	Description
1	10000032105	Clip, Retaining, Quick Hitch	8	388811	Bolt, HCS, M12-1.75 X 70mm, ZP
2	10000031984	Adapter, Top Link	9	10000032162	Pin, Bottom Link, Quick Hitch
3	10000032058	Pin, Top Link, Quick Hitch	10	417491	Label, Branding, Quick Hitch
4	302521	Washer, M12	11	400441	Label, Caution, Quick Hitch
5	360981	Washer, Split Lock M12	12	10000032078	Bushing, Category 1, Quick Hitch
6	364361	Nut, Finish, M12, ZP	13	10000032152	Pin, Spring, 1/2" X 1-3/8"
7	10000032135	Hook, Top Link	14	10000032516	Clip, Retaining, Quick Hitch, Bottom Link





**Notes:**

**Notes:**

# DR<sup>®</sup> 3PT QUICK HITCH



## 2-Year Limited Warranty

### Terms and Conditions

The DR<sup>®</sup> 3PT QUICK HITCH is warranted for two (2) years against defects in materials or workmanship when put to ordinary and normal consumer use; ninety (90) days for any other use.

For the purposes of all the above warranties, "ordinary and normal consumer use" refers to non-commercial residential use and does not include misuse, accidents or damage due to inadequate maintenance.

DR Power Equipment certifies that the DR<sup>®</sup> 3PT QUICK HITCH is fit for ordinary purposes for which a product of this type is used. DR Power Equipment however, limits the implied warranties of merchantability and fitness in duration to a period of two (2) years in consumer use, ninety (90) days for any other use.

The 2-Year Limited Warranty on the DR<sup>®</sup> 3PT QUICK HITCH starts on the date the machine ships from our factory. The 2-Year Limited Warranty is applicable only to the original owner.

The warranty holder is responsible for the performance of the required maintenance as defined by the manufacturer's owner's manuals. The warranty holder is responsible for replacement of normally wearing parts. Accessories to the machine are not covered by this warranty.

During the warranty period, the warranty holder is responsible for the machine transportation charges, if required. During the warranty period, warranty parts will be shipped by standard method at no charge to the warranty holder. Expedited shipping of warranty parts is the responsibility of the warranty holder.

SOME STATES DO NOT ALLOW LIMITATIONS ON THE LENGTH OF IMPLIED WARRANTIES, SO THE ABOVE LIMITATIONS MAY NOT APPLY TO YOU.

DR Power Equipment shall not be liable under any circumstances for any **incidental or consequential damages or expenses** of any kind, including, but not limited to, cost of equipment rentals, loss of profit, or cost of hiring services to perform tasks normally performed by the DR<sup>®</sup> 3PT QUICK HITCH.

SOME STATES DO NOT ALLOW THE EXCLUSION OR LIMITATION OF INCIDENTAL OR CONSEQUENTIAL DAMAGES, SO THE ABOVE LIMITATIONS MAY NOT APPLY TO YOU.

THIS WARRANTY GIVES YOU SPECIFIC LEGAL RIGHTS, AND YOU ALSO HAVE OTHER RIGHTS, WHICH VARY FROM STATE TO STATE.

## ***Daily Checklist for the DR 3PT QUICK HITCH***

To help maintain your DR 3PT QUICK HITCH for optimum performance, we recommend you follow this checklist each time you use your 3PT QUICK HITCH.

---

### **! WARNING**

Before performing any maintenance, you must first shut off the Tractor, remove the key and set the parking brake.

---

- [ ] **HARDWARE:** Check all nuts and bolts to be sure that the components are secure.
- [ ] **FRAME:** Check all welds to be sure that the frame is intact and secure.
- [ ] **CLEAN:** Make sure the Upper and Lower Hooks are clean and free of debris.

## ***End of Season and Storage***

---

### **! WARNING**

Before performing any maintenance, you must first shut off the Tractor, remove the key and set the parking brake.

---

- Use a Hose or Pressure Washer to clean the DR 3PT QUICK HITCH and remove debris.
- Wipe down the DR 3PT QUICK HITCH to remove any moisture and dirt that may have accumulated.
- If possible, store the 3PT QUICK HITCH in a dry, protected place. If it is necessary to store the 3PT QUICK HITCH outside, cover it with a protective material.



---

75 MEIGS ROAD, P.O. BOX 25, VERGENNES, VERMONT 05491