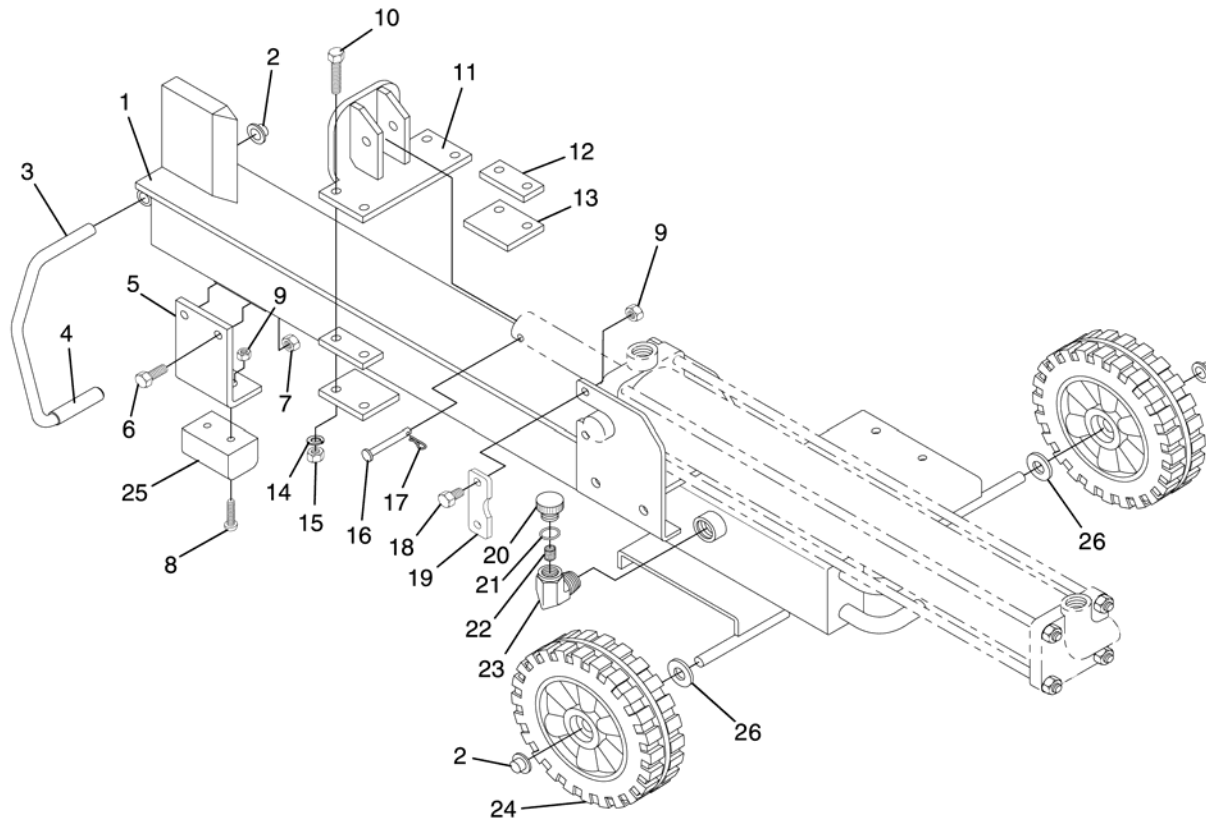


PARTS LISTS, SCHEMATIC DIAGRAMS AND WARRANTY

Parts List and Schematic – Base Unit

NOTE: Part numbers listed are available through DR Power Equipment

Ref#	Part#	Description	Ref#	Part#	Description
1	235571	Rail Weldment	14	235701	Lockwasher, 5/16"
2	235581	Nut, Push-On, 1/2"	15	235711	Nut, 5/16-18
3	235591	Handle	16	235721	Clevis Pin, 3/8 x 2-1/2"
4	235601	Black Grip, 1/2" diameter	17	235731	Hairpin Clip, 3/32 x 1-5/8"
5	235611	Front Leg	18	235741	Bolt, 5/16-18 x 3/4"
6	235621	Bolt, 5/16-18 x 1"	19	235751	Cylinder Retainer Plate
7	235631	Locknut, 5/16-18	20	235761	Vented Fill Plug
8	235641	Panhead Screw, 1/4-20 x 1"	21	235771	O-ring for Vented Plug
9	235651	Locknut, 1/4-20	22	235781	Vented Fill Plug Breather
10	235661	Bolt, 5/16-18 x 1-1/2"	23	237911	Fitting, Street Elbow
11	235671	Slide Weldment	24	237921	Tire, 8"
12	235681	Slide Guide Plate	25	237931	Rubber Foot
13	235691	Slide Retainer Plate	26	237941	Washer, Flat, 1/2" Zinc



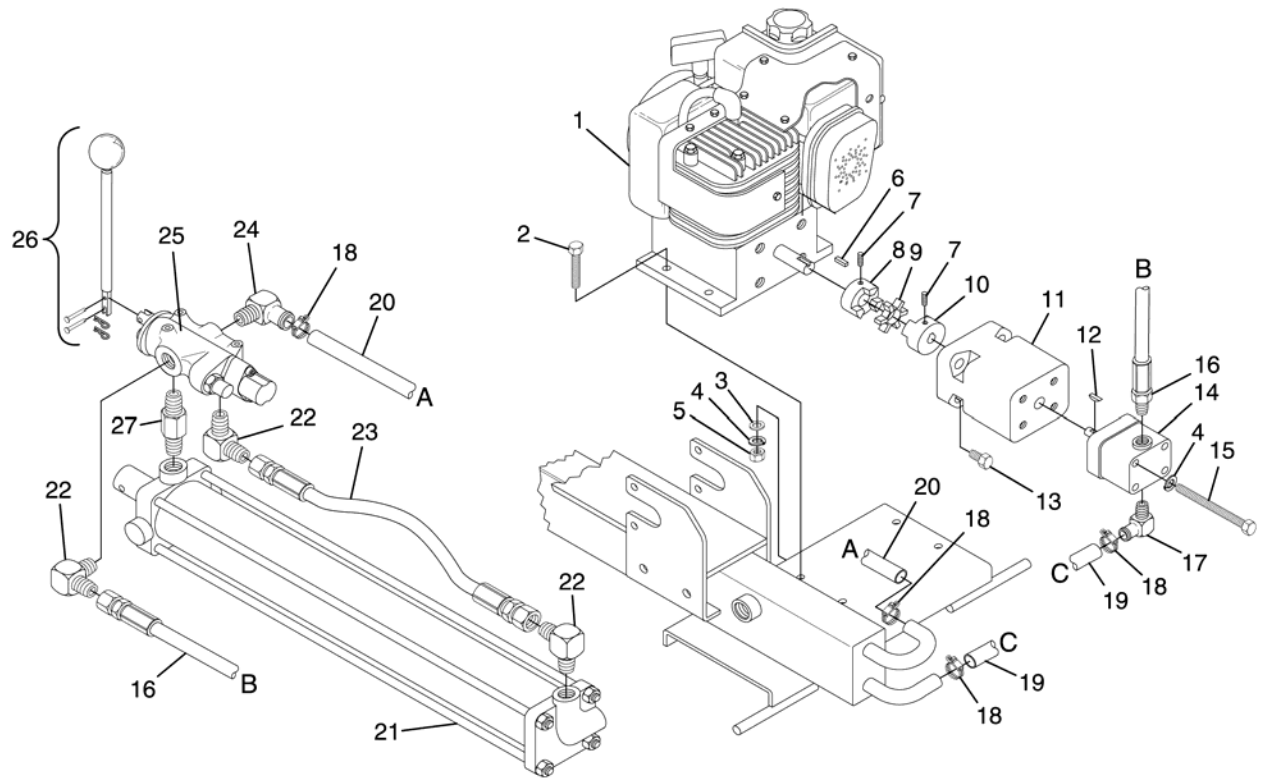
Parts List and Schematic – Pump and Piston Assembly

NOTE: Part numbers listed are available through DR Power Equipment

Ref#	Part#	Description	Ref#	Part#	Description
1	237951	Engine, Briggs, 4.75 ft. lbs. Torque	17	238111	Elbow , 90 Degree
2	237961	Bolt, 5/16-18 x 1-3/4"	18	238121	Hose Clamp, 5/8"
3	237971	Washer, 5/16"	19	238131	Low-Pressure Hose 5/8" x 5"
4	237981	Lockwasher, 5/16"	20	238141	Low-Pressure Hose 5/8" x 15"
5	237991	Nut, 5/16-18	21	238151	Cylinder, 3" x 18"
6	238001	Square Key, 3/16"	22	238161	Elbow, 90 Degree
7	238011	Set Screw, 1/4-20 x 1/2"	23	238171	High-Pressure Hose (cylinder to bottom of valve)
8	238021	Engine Coupling	24	238181	Elbow, 90 Degree
9	238031	Spider	25	238191	Valve
10	238041	Pump Coupling	26	238201	Handle Assembly Kit (includes handle, clevis pins, and hairpin clips)
11	238051	Engine Flange	27	238211	Straight Fitting
12	238061	Pump Key			
13	238071	Bolt, 5/16-24 x 3/4"			
14	238081	Hydraulic Pump			
15	238091	Bolt, 5/16-24 x 3-1/2"			
16	238101	High-Pressure Hose (pump to side of valve)			

Safety & Information Labels (not shown)

238221 Operator Safety



Parts List and Schematic – Class II Receiver Hitch Accessory

NOTE: Part numbers listed are available through DR Power Equipment

- | | | |
|---|--------|------------------------------|
| 1 | 240261 | Bracket, Receiver Attachment |
| 2 | 240271 | Bar, Receiver |
| 3 | 240281 | Bolt, Tensioning, L-Shaped |
| 4 | 240291 | Pin, Clevis |
| 5 | 240301 | Clip |

