

DR® STUMP GRINDER



UNPACKING INSTRUCTIONS

⚠ CAUTION

- Stabilize the shipping box at floor level in a clean flat area before attempting to unpack the Stump Grinder.
- Wear eye protection when cutting the bands. The banding may have a lot of tension on it and may snap and cut you. Always stand to one side when cutting the bands.

Unpack Instructions

Tools & Supplies Needed:

- Eye Protection
 - Utility Knife
 - Wire Cutters
 - Gloves
1. Wear eye protection as you stand to one side and cut the two bands securing the Shipping Box Cover to the shipping Box (**Figure 1**).
 2. Remove the Cover.
 3. Wear Gloves as you open the ends of the Shipping Box by pulling it apart at the seams and then fold down the sides (**Figure 2**). The staples are sharp so use caution.
 4. Pull the Cardboard from the Pallet.
 5. Remove the Parts Box and Tow Kit Box (optional accessory) from the Pallet (**Figure 3**).

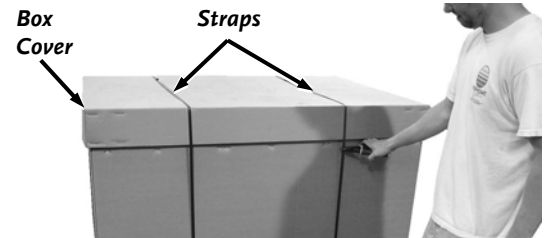


Figure 1

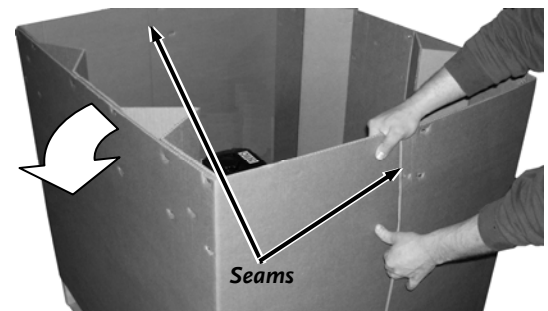


Figure 2

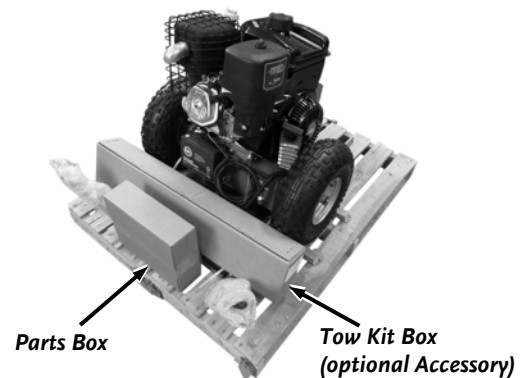


Figure 3

Continued on
other side



Original Language

CONTACT US AT www.DRpower.com

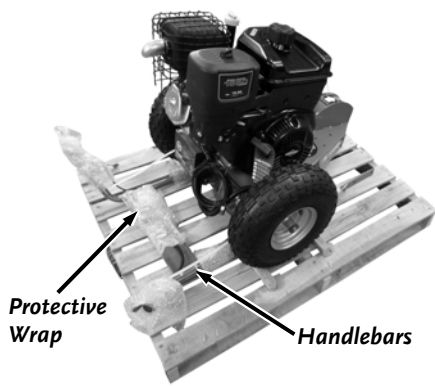


Figure 4

6. Remove the Handlebars from the Pallet and remove the Protective Wrap using a utility Knife (**Figure 4**).
7. Cut the Cable Ties holding the Stump Grinder to the Pallet using Wire Cutters (**Figure 5**).

Refer to Chapter 2 “Setting up your DR® STUMP GRINDER” of your DR® STUMP GRINDER Safety & Operating Instructions manual to continue with the assembly of your machine. It is located in the Product Package that came with your machine. Do not discard your Shipping materials until you are fully satisfied with your machine. If there are any questions contact us at www.DRpower.com or call 1-800-DR-OWNER (376-9637).

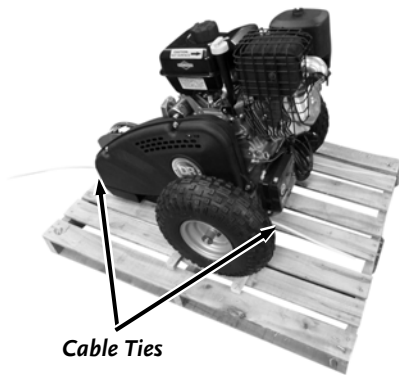


Figure 5



DR® POWER EQUIPMENT

75 MEIGS ROAD, P.O. BOX 25, VERGENNES, VERMONT 05491

1-800-DR-OWNER (376-9637) • www.DRpower.com

©2016 CHP, Inc. 359491B