



ATV Single Gang Disc Harrow

OWNER'S MANUAL



WARNING:

Read carefully and understand all **ASSEMBLY AND OPERATION INSTRUCTIONS** before operating. Failure to follow the safety rules and other basic safety precautions may result in serious personal injury.

Thank you very much for choosing this product! For future reference, please complete the owner's record below:

Serial Number: _____

Order Number: _____

Purchase Date: _____

Save the receipt, the warranty, and these instructions. It is important that you read the entire manual to become familiar with this product before you begin using it.

This product is designed for certain applications only. The manufacturer cannot be responsible for issues arising from modification. We strongly recommend that this product not be modified and/or used for any application other than that for which it was designed. If you have any questions relative to a particular application, DO NOT use the product until you have first contacted us to determine if it can, or should, be performed on the product.

For technical questions, please contact us at www.DRpower.com or call **1-800-DR-OWNER (376-9637)** for assistance.

INTENDED USE

This disc cultivator is used to loosen and prepare soil for wildlife food plots, small gardens, row cultivation and yard prep work.

TECHNICAL SPECIFICATIONS

2" Ball Hitch
Eight -14" Diameter Notched Disc Blades are removable and replaceable.
51" Cutting Width, 4" Cutting Depth
Four working angles for adjusting
1" Square disc axle
Weight tray – 150LB weight capacity

GENERAL SAFETY RULES



WARNING: Read and understand all instructions. Failure to follow all instructions listed below may result in serious injury.



CAUTION: Do not allow persons to operate or assemble this disc until they have read this manual and have developed a thorough understanding of how the disc works.



WARNING: The warnings, cautions, and instructions discussed in this instruction manual cannot cover all possible conditions or situations that could occur. It must be understood by the operator that common sense and caution are factors which cannot be built into this product, but must be supplied by the operator.

SAVE THESE INSTRUCTIONS

WORK AREA

- **Keep work area clean**, free of clutter and well lit. Cluttered and dark work areas can cause accidents.
- **Keep children and bystanders** away while operating a disc. Distractions can cause you to lose control, so visitors should remain at a safe distance from the work area.
- **Be aware of all power lines, electrical circuits**, water pipes and other mechanical hazards in your work area, particularly those hazards below the work surface hidden from the operator's view that may be unintentionally contacted and may cause personal harm or property damage.
- **Be alert of your surroundings**. Using a disc in confined work areas may put you in a dangerous situation.

PERSONAL SAFETY

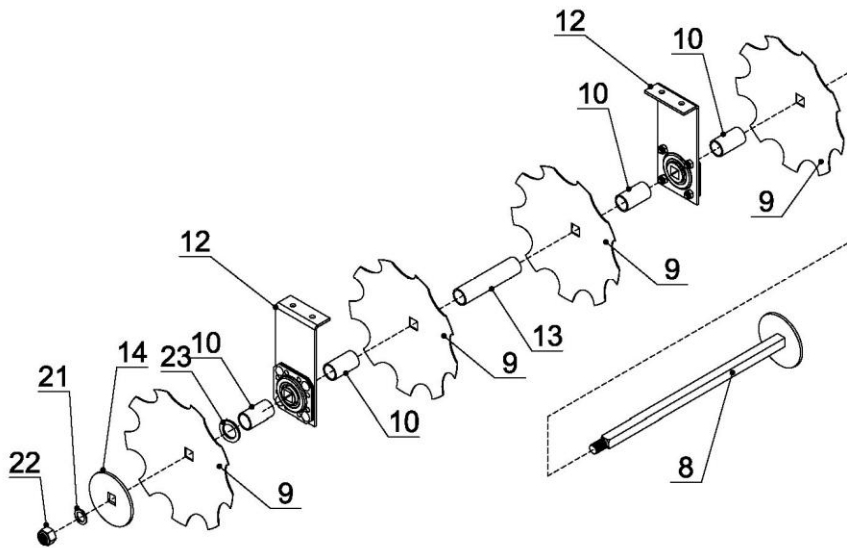
- **Stay alert**, watch what you are doing and use common sense when using a disc. Do not use a disc while you are tired or under the influence of drugs, alcohol or medication. A moment of inattention while operating a disc may result in serious personal injury.
- **Dress properly**. Do not wear loose clothing, dangling objects, or jewelry. Keep your hair, clothing and gloves away from moving parts. Loose clothes, jewelry or long hair can be caught in moving parts.
- **Use safety apparel and equipment**. Use safety goggles or safety glasses with side shields which comply with current national standards, or when needed, a face shield. This applies to all persons in the work area. Also use non-skid safety shoes, hardhat, gloves, and hearing protection when appropriate.

DISC USE AND CARE

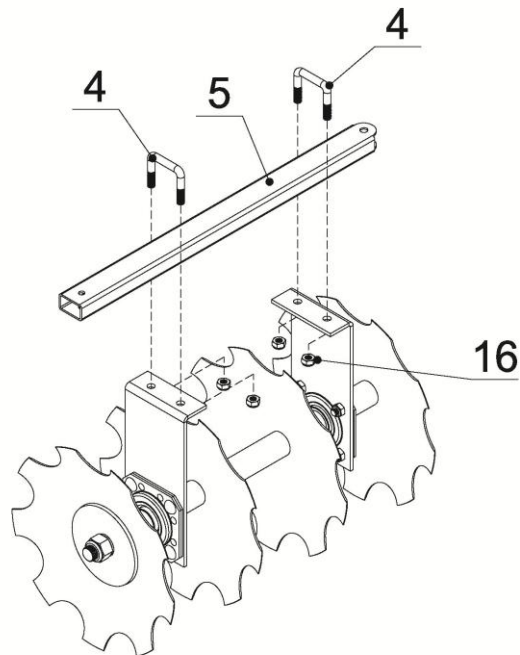
- **Do not modify the disc in any way**. Unauthorized modification may impair the function and/or safety and could affect the life of the equipment. There are specific applications for which the disc was designed.
- **Always check for damaged or worn out parts before using the disc**. Broken parts will affect the disc operation. Replace or repair damaged or worn parts immediately.
- **Do not exceed the disc load capacity**.
- **Distribute the load evenly**. Uneven loads may cause the disc to tip, resulting in personal injury to the operator or others.
- **Use the disc on flat and level surfaces** capable of supporting the disc and its maximum load. Pulling or pushing a load on a slanted or uneven surface can result in loss of control.
- **Store idle disc**. When disc is not in use, store it in a secure place out of the reach of children. Inspect it for good working condition prior to storage and before re-use.

ASSEMBLY

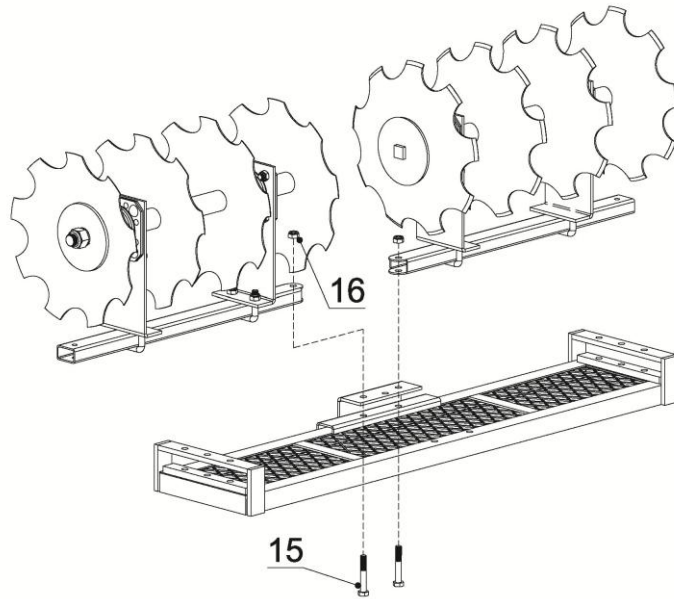
Step 1: Assemble four Discs to Square Axle Weldment as shown in diagram. Note the direction of the top mounting area of Ref# 12 – support plate. Repeat this step for each gangassembly.



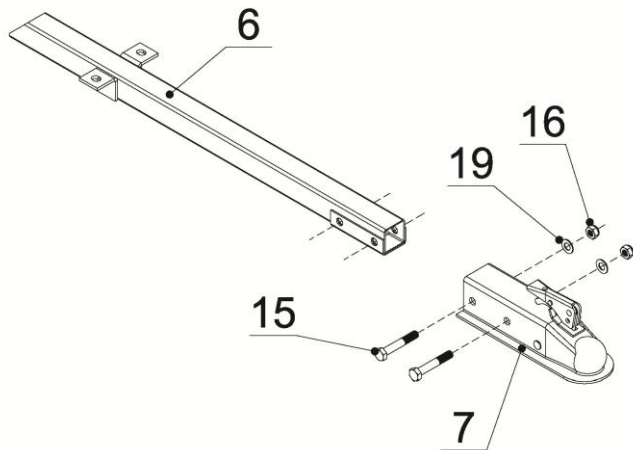
Step 2: Assemble the Rotating Arm to the Disc Gang Assemblies using U Style Bolts and Nylon Lock Nut M12 as shown in diagram. WAIT to fully tighten lock nuts until later step. Repeat for each disc gang assembly.



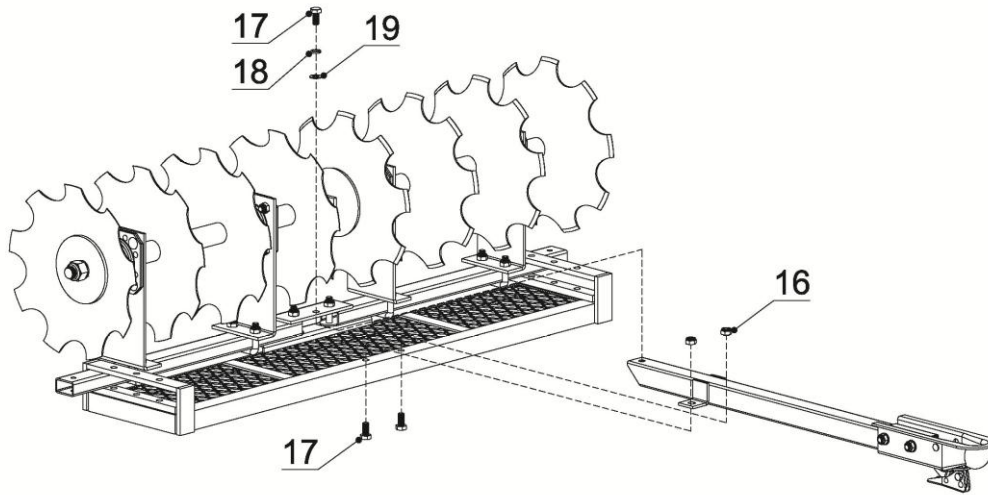
Step 3: Install the two Disc Gang Assemblies to the frame using Hex Bolt M12x75 and Nylon Lock Nut M12 as shown in diagram.



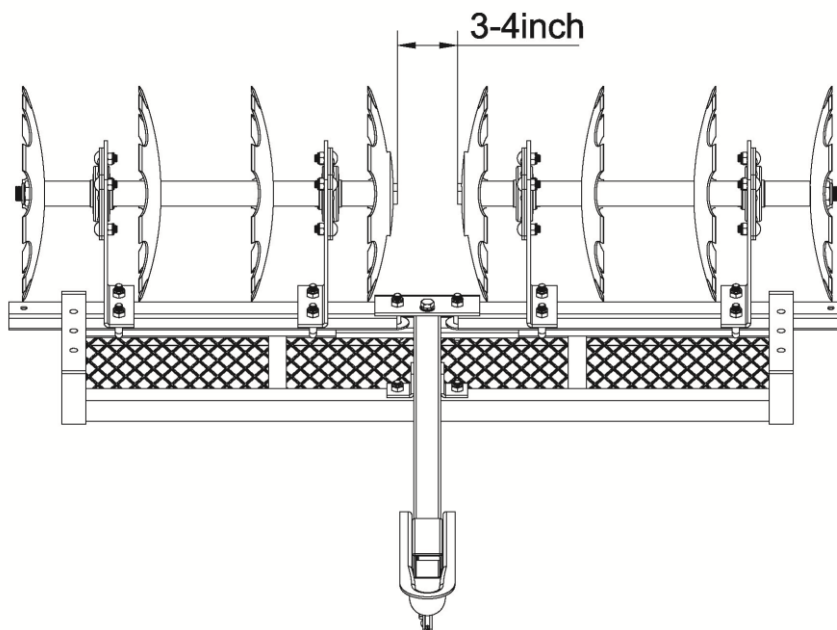
Step 4: Install the Coupler to the Hitch Tongue using Hex Bolt M12x75, Flat Washer Ø12 and Nylon Lock Nut M12 as shown in the diagram. Note the tabs at center of Hitch Tongue should face upward.



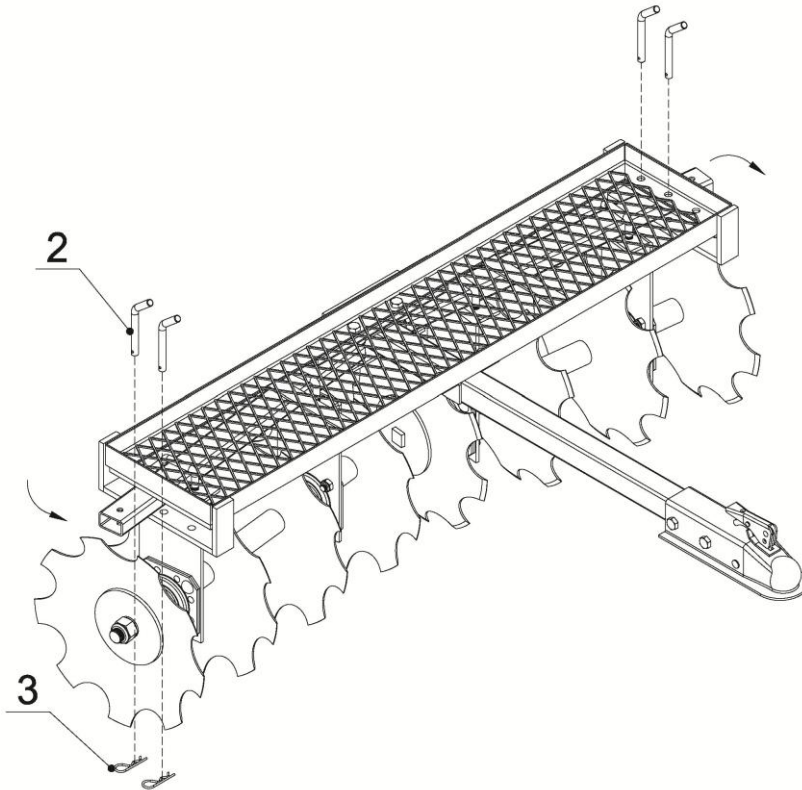
Step 5: Assemble the end of Hitch Tongue to the Frame Assembly using Hex Bolt M12x25, Lock Washer Ø12 and Flat Washer Ø12. Then secure the center of Hitch Tongue to the Frame Assembly using Hex Bolt M12x25 and Nylon Lock Nut M12 as shown in the diagram.



Step 6: Adjust the distance between the two Disc Gang Assemblies to 3-4 inches as shown in the diagram. Then tighten all hardware from Step 2.



Step 7: Adjust the angle of two Disc Gang Arms, then secure each side of Gang Arm with Pin and R cotter Pin. Note: the discs should be at an angle when operating. If more angled, the disc will cut into soil more.



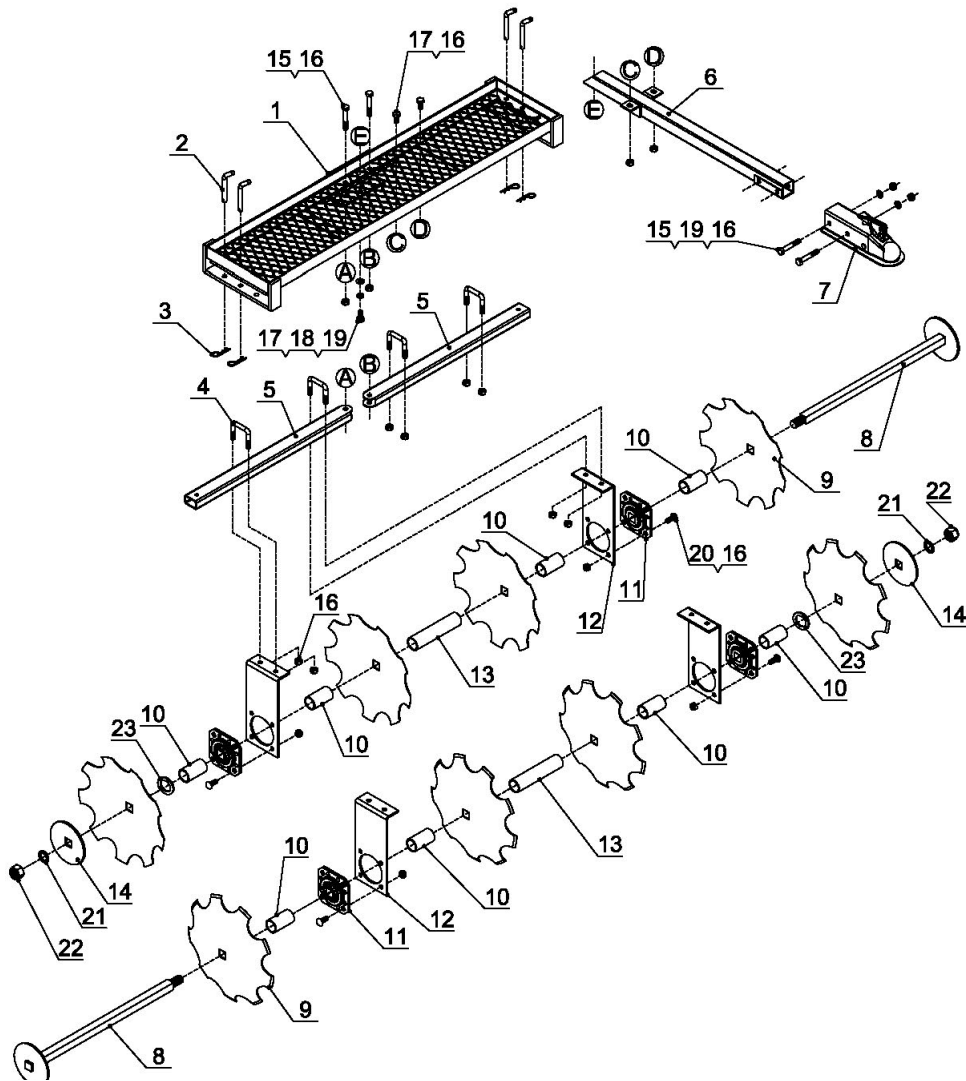
The Disc is now fully assembled.

Disc angles are adjustable for desired harrow/soil preparation.

MAINTENANCE

- **Maintain your disc.** It is recommended that the general condition of any disc be examined before it is used. Keep your disc in good repair by adopting a program of conscientious repair and maintenance. If any abnormal vibrations or noise occurs, have the problem corrected before further use. Have necessary repairs made by qualified service personnel.

DIAGRAM & PARTS LIST



Ref#	Description	Part#	Qty
1	Frame Weldment	41188	1
2	Pin	41189	4
3	R Pin	41190	4
4	U Style Bolt	41191	4
5	Rotating Arm	41192	2
6	Hitch Tongue	41193	1
7	Coupler	41194	1
8	Square Axle Weldment	41195	2
9	Disc	41196	8
10	Short Sleeve	41197	8
11	Bearing Base Assembly	41198	4
12	Disc Support Plate	41199	4

Ref#	Description	Part#	Qty
13	Long Sleeve	41200	2
14	Disc Pressure Plate	41201	2
15	Hex Bolt M12x75	41202	4
16	Nylon Lock Nut M12	41203	30
17	Hex Bolt M12x25	41204	3
18	Lock Washer Ø12	41205	1
19	Flat Washer Ø12	41206	3
20	Round Head Bolt M12x35	41207	16
21	Flat Washer Ø24	41208	2
22	Nylon Lock Nut M24	41209	2
23	Flat Washer Ø36	39068	2

For replacement parts and technical questions, please contact us at www.DRpower.com or call 1-800-DR-OWNER (376-9637) for assistance.

DR[®] SINGLE GANG DISC HARROW



2-Year Limited Warranty

Terms and Conditions

The DR[®] SINGLE GANG DISC HARROW is warranted for two (2) years against defects in materials or workmanship when put to ordinary and normal consumer use; ninety (90) days for any other use.

For the purposes of all the above warranties, "ordinary and normal consumer use" refers to non-commercial residential use and does not include misuse, accidents or damage due to inadequate maintenance.

DR Power Equipment certifies that the DR[®] SINGLE GANG DISC HARROW is fit for ordinary purposes for which a product of this type is used. DR Power Equipment however, limits the implied warranties of merchantability and fitness in duration to a period of two (2) years in consumer use, ninety (90) days for any other use.

The 2-Year Limited Warranty on the DR[®] SINGLE GANG DISC HARROW starts on the date the machine ships from our factory. The 2-Year Limited Warranty is applicable only to the original owner.

The warranty holder is responsible for the performance of the required maintenance as defined by the manufacturer's owner's manuals. The warranty holder is responsible for replacement of normally wearing parts such as the Discs. Accessories to the machine are not covered by this warranty.

During the warranty period, the warranty holder is responsible for the machine transportation charges, if required. During the warranty period, warranty parts will be shipped by standard method at no charge to the warranty holder. Expedited shipping of warranty parts is the responsibility of the warranty holder.

SOME STATES DO NOT ALLOW LIMITATIONS ON THE LENGTH OF IMPLIED WARRANTIES, SO THE ABOVE LIMITATIONS MAY NOT APPLY TO YOU.

DR Power Equipment shall not be liable under any circumstances for any **incidental or consequential damages or expenses** of any kind, including, but not limited to, cost of equipment rentals, loss of profit, or cost of hiring services to perform tasks normally performed by the DR[®] SINGLE GANG DISC HARROW.

SOME STATES DO NOT ALLOW THE EXCLUSION OR LIMITATION OF INCIDENTAL OR CONSEQUENTIAL DAMAGES, SO THE ABOVE LIMITATIONS MAY NOT APPLY TO YOU.

THIS WARRANTY GIVES YOU SPECIFIC LEGAL RIGHTS, AND YOU ALSO HAVE OTHER RIGHTS, WHICH VARY FROM STATE TO STATE.



**75 Meigs Rd, PO Box 25
Vergennes, VT 05491**