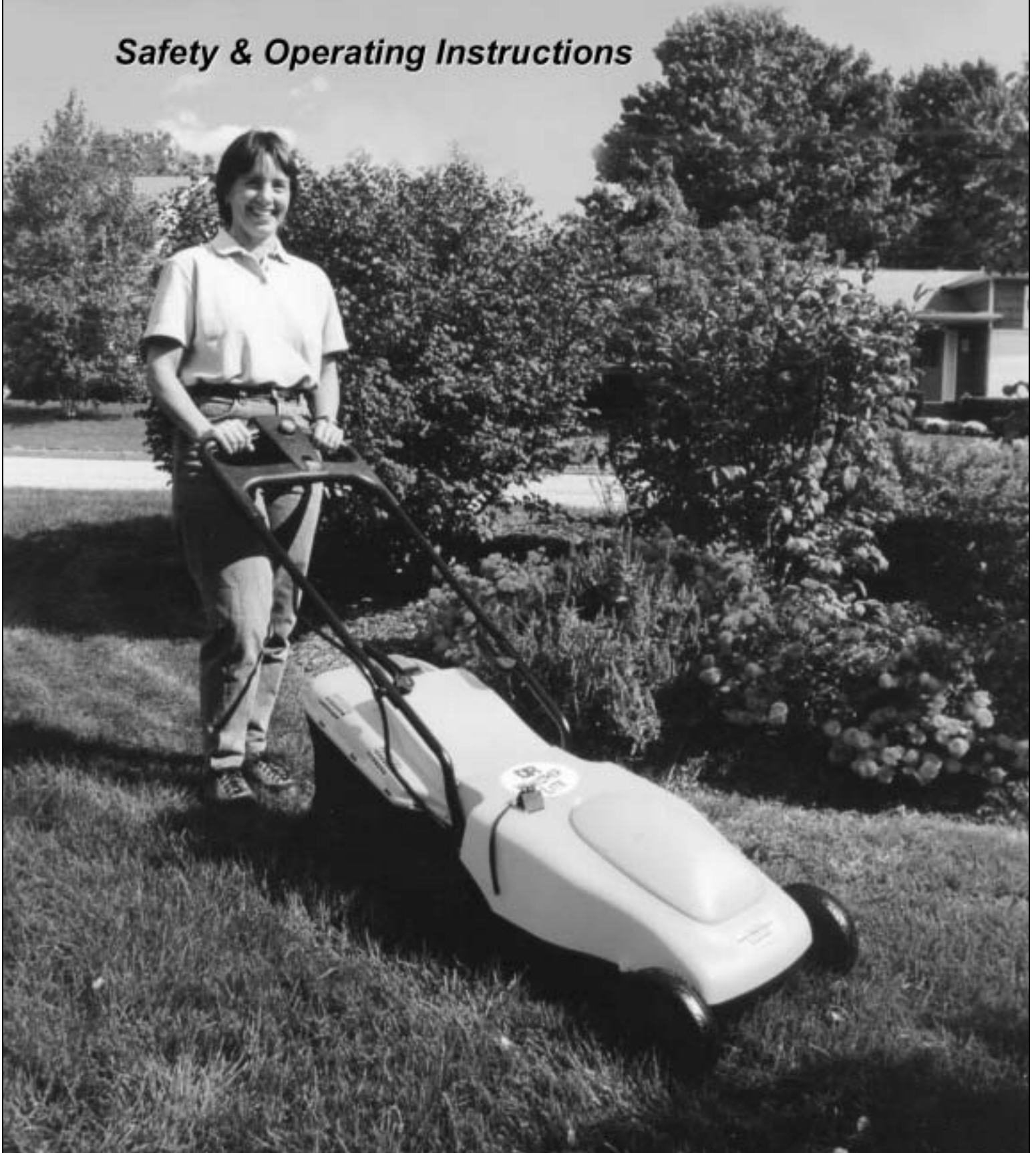


\$5.00

DR.® WHISPER LITE.®

CORDLESS Electric Mower

Safety & Operating Instructions



THANK YOU!

And congratulations on your purchase of a new DR[®] WHISPER LITE[®] CORDLESS Electric Mower!

We have done our utmost to ensure that your DR[®] WHISPER LITE[®] will be one of the most trouble-free and satisfying pieces of equipment you have ever owned. Please let us know of any questions or problems you may have. We want to answer or correct them as quickly as possible. (When you do call or write, please have your order number handy—it will speed things up!) We also hope to hear from you on how much you like your new helper.

And, please tell your friends about your new DR[®] WHISPER LITE[®]! Having DR[®] Owners spread the word about our products and our way of doing business is the best advertising we can have, and the best way to help us provide even better service in the years to come.

Thanks once again!



for all of us at...

COUNTRY HOME PRODUCTS[®]

Important Safety Instructions

⚠️ WARNING: We want you to enjoy years of safe and productive use from your DR[®] WHISPER LITE[®] CORDLESS Electric Mower. We don't want you to get injured, so please take a few moments to read the following guidelines for safely operating your new machine.

READ THESE INSTRUCTIONS

Protect those around you

- Do not allow children, other bystanders or pets in your work area when the mower is being operated.
- Only adults and teenagers with a thorough understanding of these instructions should operate the mower.

Dress Appropriately

- We recommend using safety glasses. Use a face or dust mask if operating in dusty conditions.
- Always wear substantial footwear and long pants. Do not wear loose clothing or jewelry. They can get caught in the moving parts.

Preparation

- Be thoroughly familiar with the controls and proper use of the DR[®] WHISPER LITE[®] before operating it.
- Never operate the DR[®] WHISPER LITE[®] mower without the proper guards, safety switches or other safety and protective devices in place and properly connected. Inspect to determine that these safety devices are properly installed, in good repair, and operate properly. If the condition or operation of these devices is questionable, they must be repaired or replaced before using the mower.
- Thoroughly inspect the area where the mower is to be used and remove all stones, sticks, wire, dog bones, pet supplies or lawn toys, and other foreign objects which could be thrown by the mower blade. Objects struck by the lawn mower blade can cause severe injuries. Also note the location of holes, stumps and other possible hazards.
- Mow only in daylight or in good artificial light.

Operation

- The length of time that a battery pack can hold its charge while mowing a lawn depends upon lawn conditions; tall, thick, or wet grass make the mower work harder and the battery pack discharge faster.
- Before starting the mower, adjust the cutting height to cut 1" to 2" of grass at a time. Cut thicker grass at a greater cutting height, or cut a narrower swath. Do not force the lawn mower forward

in thick grass. The DR[®] WHISPER LITE[®] will do a better and safer job when cutting at a steady rate.

- Your mower can operate as a mulcher or bagger. Learn how to use the proper cutting blade, and how to use the grass catcher or discharge chute block for the right application.
- Do not insert the SAFETY KEY into the mower until you are ready to operate the mower. Store the safety key away from children and people not authorized to use the mower.
- The cutting blade turns when the motor is running (there is no clutch to allow the blade to stop while the motor is running). Learn how to quickly stop the mower's motor and note that the blade will continue to rotate for up to three seconds after the motor has stopped.
- Stop the blade and remove the safety key whenever you leave the operating position (behind the handlebar) for any reason, including clearing grass and making any inspections, adjustments or repairs to the mower.
- Do not put your hands and feet near or under rotating parts or when the safety key is still inserted. Keep clear of the discharge area while the motor is running.
- Before cleaning, repairing, inspecting, adjusting the height of the cut, or exchanging the discharge chute block and grass catcher, be sure the motor is off, remove the safety key and make certain the blade has stopped rotating.
- Do not operate the mower in the rain or when the grass is wet.
- Never cut grass by pulling the mower towards you. It is designed to be pushed forward while cutting only.
- USE EXTREME CAUTION when maneuvering backwards. Always look first to check your footing and release the operator presence bar before moving backwards.
- Mow across slopes, never up and down. Exercise caution when changing directions on slopes. Do not mow steep slopes or other areas where stability or traction is in doubt.
- Stop the motor when crossing over loose materials such as gravel drives, walks or roads. Objects discharged by the mower can be hazardous.
- After striking a foreign object or if the mower vibrates abnormally, stop the motor and remove the safety key. Inspect the mower for any damage and repair the damage before restarting and operating the lawn mower. Vibration is generally a sign of trouble.
- Stay alert and watch what you are doing. Do not operate the lawn mower when you are tired or under the influence of drugs or alcohol.
- Remove the safety key when the mower is not in use.
- Allow the motor to cool for at least 5 minutes before storing the mower in any type of tight space or enclosure.
- Do not use the DR[®] WHISPER LITE[®] for any job other than those for which it is intended.

Maintenance and Storage

⚠ WARNING: ALWAYS remove the safety key before performing any adjustments or repairs.

- Maintain the lawn mower with care—keep cutting edges sharp and clean for the best and safest performance. Keep all nuts, bolts and screws tight to be sure the mower is in safe operating condition. Follow the instructions in this manual for changing accessories.
- Periodically inspect the exposed cords on the charger unit and the handlebar for damage. If damage occurs, do not use the mower until the cords have been replaced or repaired.
- Do not operate the mower if it does not start normally or does not stop normally when the operator presence bar is released.
- Use identical replacement blades only. Check the blade and motor mounting bolts at frequent intervals for proper tightness.
- Keep mower clean and dry. Use a damp cloth when cleaning. Never use water, gasoline, solvents or other petroleum-based or solvent-based products for cleaning.
- When not in use, store the lawn mower indoors in a dry place and out of the reach of children.
- To reduce fire hazard, keep mower free of grass, leaves or excessive grease.

Battery Safety

- Do not charge the lawn mower battery pack in the rain or in wet locations.
- Exercise care in handling the battery pack in order not to short circuit it with conducting materials such as rings, bracelets and keys. When short circuited, the battery or conductor may overheat and cause burns.
- Do not attempt to replace individual batteries inside the battery pack. Mixing fresh and discharged batteries could increase internal cell pressure and rupture the discharged battery. Improper wiring within the battery pack could result in leakage or explosion.
- Do not dispose of batteries in a fire: the battery cells may explode. Do not open or mutilate the batteries. Released electrolyte (battery acid) is corrosive and will cause damage to eyes, skin or clothes. Battery acid is toxic if swallowed or if the fumes are inhaled.

Battery Disposal

Please dispose of used batteries responsibly, according to your local hazardous materials regulations.

Table of Contents

IMPORTANT SAFETY INSTRUCTIONS.....	II
PROTECT THOSE AROUND YOU.....	II
DRESS APPROPRIATELY.....	II
PREPARATION.....	II
OPERATION.....	II
MAINTENANCE AND STORAGE.....	IV
BATTERY SAFETY.....	IV
BATTERY DISPOSAL.....	IV
ASSEMBLY COMPONENTS.....	2
ASSEMBLY.....	3
TO ASSEMBLE YOUR LAWN MOWER.....	3
BATTERY CARE & CHARGING.....	6
BATTERY PACK.....	6
CHARGING INSTRUCTIONS.....	6
INITIAL CHARGING.....	7
RECHARGING AFTER EACH USE OF THE MOWER.....	9
RECHARGING TO A FULL CHARGE FOR OFF-SEASON STORAGE.....	9
BATTERY DISPOSAL.....	9
CONTROLS & FEATURES.....	10
OPERATING INSTRUCTIONS.....	13
PRE-START CHECKS.....	13
TO START THE MOTOR AND ENGAGE THE BLADE.....	13
TO STOP THE MOTOR AND THE BLADE.....	14
ADJUSTING THE CUTTING HEIGHT.....	14
USING THE GRASS CATCHER.....	15
MULCHING.....	16
USING THE DISCHARGE FLAP.....	16
MOWING & LAWN CARE TIPS.....	17
MAINTENANCE.....	18
CLEANING.....	18
REMOVING AND ATTACHING THE BLADE.....	18
TO SHARPEN THE BLADE.....	19
TO BALANCE THE BLADE.....	20
LUBRICATION.....	20
REMOVING AND REPLACING THE BATTERY PACK.....	20
STORAGE.....	21
TROUBLESHOOTING.....	22
PARTS LIST.....	24
SCHEMATIC DRAWING.....	26

Assembly Components

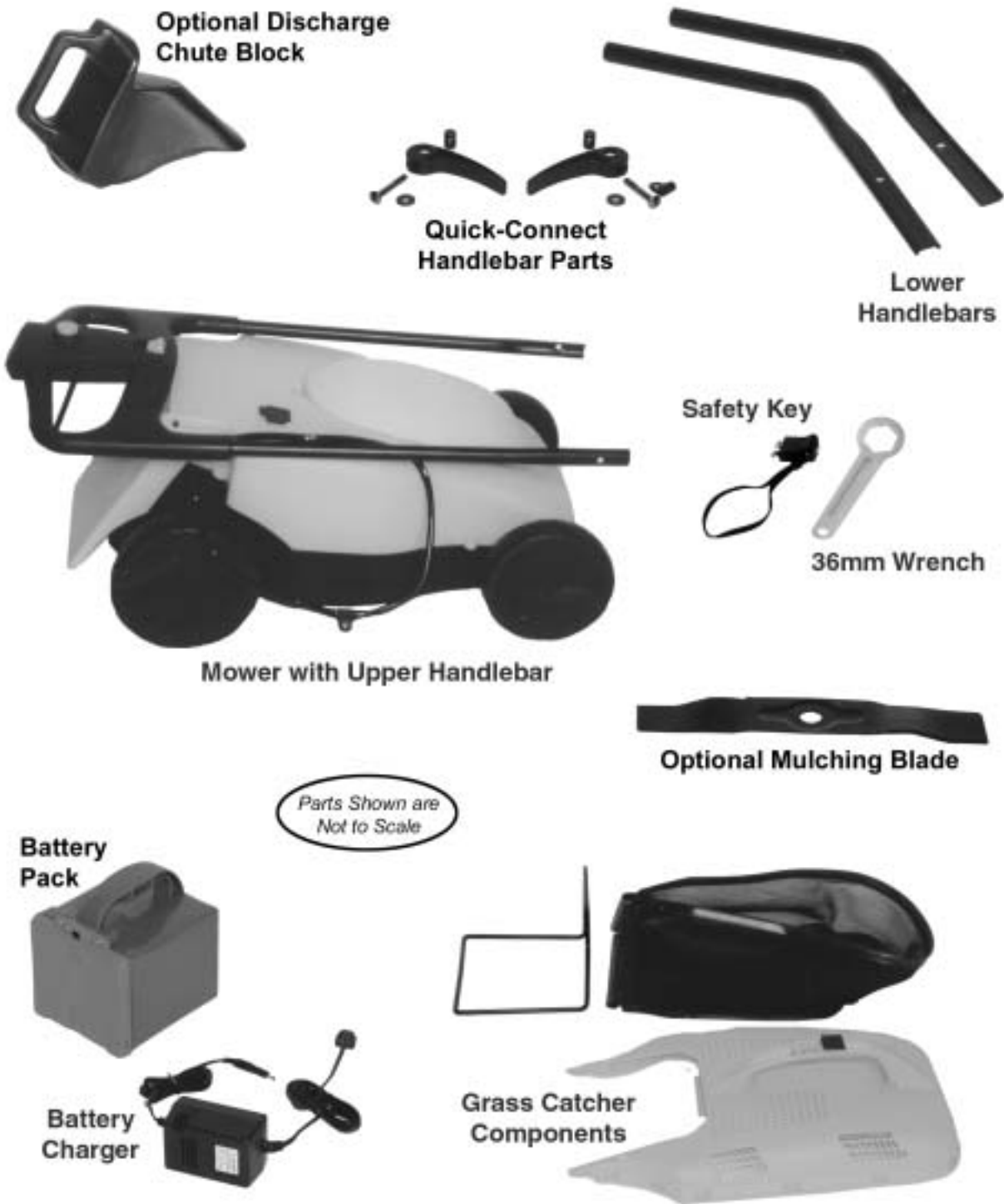


Figure 1

Assembly

Before beginning the assembly, please check that you have all of the components listed below. If anything is missing, please call Country Home Products® Toll-Free 1(800)DR-OWNER(376-9637).

Package Contents:

- Mower
- Battery Charger
- Lower Handlebars
- Upper Handlebar
- Quick Connect Hardware for Upper and Lower Handlebars
- Bag with Safety Key, *Safety & Operating Instructions* and 36mm wrench
- Grass Catcher Components (steel frame, plastic cover, polyester mesh cover)
- Optional Mulching Blade (if purchased)
- Optional Discharge Chute Block (if purchased)

Assembly Tools Needed:

- enclosed 36mm wrench, or
- 1/2" wrench or socket
- Phillips head screwdriver

Please Note:

There is a wire attached to both the shipping box and the charger receptacle on the mower. This wire was installed so the manufacturer could charge the battery after the mower was boxed. Please remove it from the mower before beginning assembly. You will not need this wire for future charging.

To Assemble Your Lawn Mower

Step 1. Attach the Lower Handlebars

Note: For easier access, set the cutting height to the highest adjustment position.

1. Set the upper handlebar aside, being careful of the black control cable.
2. Remove the bolt, lock washer and square washer from the mounting hole in the mower frame (*Figure 2*).

Note: There is a right and left lower handlebar. When attached, the indentation in the lower handlebar should be facing out.

3. Position one of the lower handlebars, with the indentation facing out, against the frame of the mower. Slide it down into the slot in the frame until the bolt holes line up (*Figure 3*).
4. Mount the bolt, lock washer and square washer and tighten with a wrench.
5. Repeat on the other side.



Figure 2



Figure 3

Step 2. Attach the Upper Handlebar

Note: The black control cable should be on the outside of the lower right handlebar before attaching the upper handlebar.

1. Position the upper handlebar over the lower handlebars. The upper handlebar is cupped and should fit snugly against the lower handlebars. Line up the holes with the lower handlebars and loosely insert the bolts to hold the upper handlebar in place during assembly.

2. Starting with the right side, install the clamp on the black control cable so it is positioned near the bolt hole where the two handlebars are joined (*Figure 5*). Remove the bolt from the handlebar, insert it through the cable clamp, then reinsert the bolt through the handlebars.

3. Mount the threaded insert into the quick control handle (*Figure 4*), add the washer, then screw the quick control handle onto the bolt (*Figure 5*).

Note: There should be several threads showing between the handlebar and the quick control handle. If you tighten the handle too much it will not lock properly.

4. Repeat on the other side.
5. Lock handlebars in place.



Figure 4

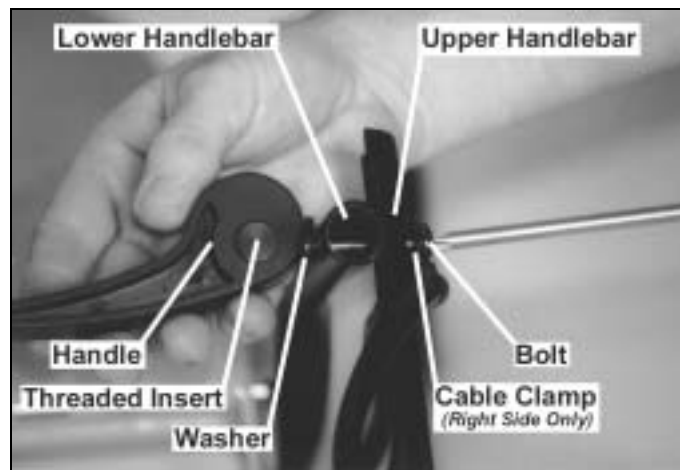


Figure 5

Step 3. Assemble & Attach the Grass Catcher

1. Install the steel frame on the mesh bag. The squared corners on the steel frame should fit snugly into the plastic tubing on the bag. The bend in the steel frame should point toward the inside of the mesh bag when installed (*Figure 6*).



Figure 6

2. Attach the bend in the steel frame to the plastic cover (*Figure 7*).
3. Attach the mesh bag to the plastic cover. Starting with the back side (away from the frame), center the mesh bag and carefully feed the edges into the groove in the plastic cover (*Figure 7*).
4. Raise the hinged discharge guard on the rear of the mower (*Figure 8*). If the plastic discharge chute block is installed, pull it out by its handle. (The block is seated in the chute by "press fit" and it may be necessary to pull quite hard.)
5. While keeping the discharge guard raised, insert the grass catcher into the holes on both sides of the mower (*Figure 8*).
6. Lower the discharge guard so the stud fits into the hole on the grass catcher handle to lock it in place (*Figure 8*).
7. Lock the grass catcher in place by sliding the black tab on the handle (*Figure 7*) over the discharge guard.

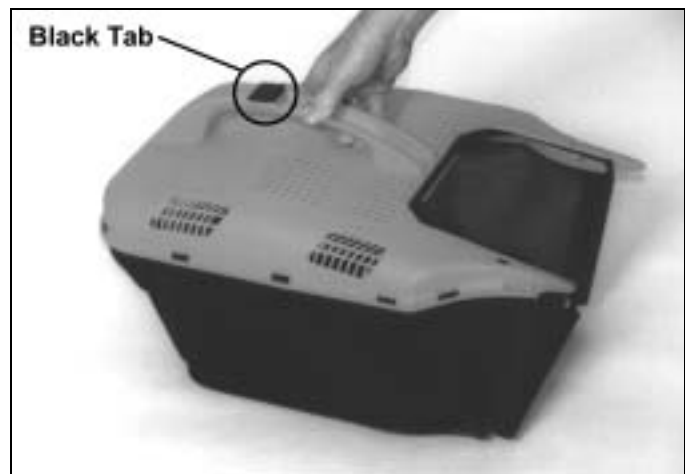


Figure 7



Figure 8

Step 4. Recharge the Mower Before First Use

You MUST recharge the battery pack before the first use of the machine, or the battery pack may suffer permanent damage. Read the section Initial Charging on page 5 of this manual before you operate the mower.

Step 5. Read these *Safety & Operating Instructions* Before Using the Mower.


Anyone operating the DR[®] WHISPER LITE CORDLESS Electric Mower should be thoroughly familiar with these instructions.

Battery Care & Charging

Before charging the battery pack, read all instructions and cautionary markings in this manual and on your mower. Do not operate your mower until you have read and understand all instructions and the battery pack has been fully charged.

Battery Pack

The battery pack in your DR[®] Whisper Lite CORDLESS electric mower is composed of two completely sealed 12V lead acid batteries inside a pack connected serially to a 24V motor. There is no hazardous chemical which can leak from the battery pack, regardless of the position in which the mower is stored. The battery pack is completely maintenance free. Water never needs to be added. However, as with all rechargeable batteries, after years of use they will eventually need replacement for optimal performance. Please refer to the Maintenance section of this manual for more information.

 WARNING: Do not alter the individual batteries in any way, or remove them from the battery pack.

There are important guidelines with regard to how and when the battery pack should be charged, and how it should be stored. By following these simple guidelines the life expectancy of the battery pack will be maximized and your average annual cost for batteries will be minimized.

Charging Instructions

Before you charge the mower:

1. Always charge the mower indoors in a garage or other covered area where it will be dry and protected from the weather.
2. Only charge the mower when the temperature is at least 32°F (0°C) but not more than 104°F (40°C). Charging in lower or higher temperatures can be harmful to the battery pack. (Follow temperature guidelines for storage in the Maintenance section of this manual.)
3. Always keep the mower away from water, heat sources (stoves, radiators, open flames, etc.), and hazardous chemicals.
4. When storing the battery pack after removal from the mower follow the storage guidelines on page 19 of this manual.
5. Never attempt to charge your mower with a charger other than a Whisper Lite ES360 charger. The charger is specifically designed to give optimal performance of your DR[®] Whisper Lite CORDLESS electric mower's battery pack. Never use the charger with any other product. Never operate the charger if it is damaged. If a cord or the charger unit has been damaged, replace it or have it repaired.

Initial Charging

IMPORTANT! The battery pack in your mower has been charged at the factory. However, you must recharge the battery pack and make sure it is fully charged before initial operation of the mower. **Failure to do so may cause permanent damage to the battery pack.**

⚠ WARNING: Make sure the electrical power supply is normal household voltage (110 volts). Plug the charger directly into an electrical outlet. Do not abuse the cords. Never carry the charger by the cord. Always disconnect cords from the electrical outlet (wall outlet) and from the charger by pulling the plug, not the cord.

Note: If an extension cord is used for the charger, use a heavy-duty extension cord of a type "suitable for outdoor use" (though you should never charge the mower in the open outdoors).

IMPORTANT! ALWAYS connect the charger to the battery pack first, and then plug it into the wall outlet. When unplugging, ALWAYS unplug the charger from the wall outlet first, and then disconnect it from the battery pack.

There are two charging methods. Either method is acceptable.

1. Charging with the Battery Pack in the Mower

- With all four wheels on the mower touching the floor, plug the round plug from the charger into the charger receptacle (center hole) in the mower's key hole (*Figure 9*). Then plug the charger into the wall receptacle. The mower cannot be charged when the safety key is plugged in since it covers the charging receptacle. Likewise, the mower's motor cannot be operated during charging since it is impossible to have the safety key plugged in at the same time as the charger.
- The yellow light in the mower's LED panel will come on when the charger is connected to the mower to confirm that the charger is working properly.

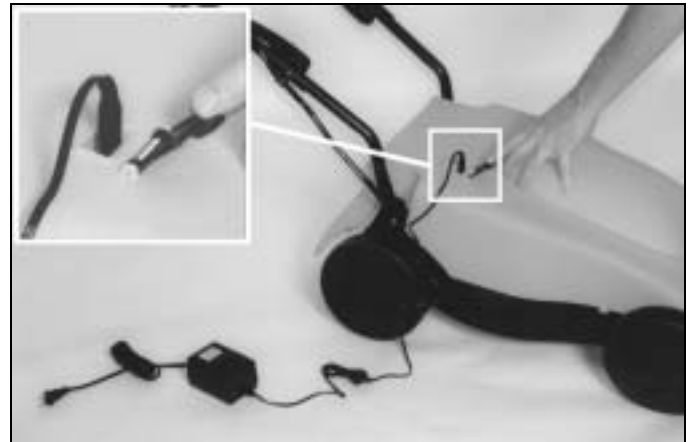


Figure 9

- Note:** The red light on the battery pack only indicates that the battery pack is being charged—it will not automatically turn off when charging is complete.
- Charging may take up to 12 hours depending on the battery power remaining prior to recharging.
 - The charger is always warm to the touch during the first approximately 5 hours of a typical 12-hour charge cycle. This is normal and not an indication of a problem.

- When the charging is complete, after about 12 hours or less, the green light in the LED panel on the mower will come on. The yellow light will also be on. Both the green and yellow lights will be illuminated continuously until the charger is disconnected from both the wall outlet and the battery pack.

Note: After disconnecting the charger from the mower, the green LED light will stay on for up to three minutes before going out. This is normal.

- The mower can not be overcharged, and will not be damaged if the charger is left on for a few days after the battery pack has been fully charged. However, in order to get the maximum life out of the battery pack it is recommended that you disconnect the charger soon after the battery pack is fully charged and then periodically recharge it if the mower is not used. See the Storage section on page 21 for more information.

2. Charging with the Battery Pack Removed from the Mower

- Remove the battery pack from the mower to recharge (*Figure 10*). Connect the charger plug to the charger receptacle on the battery pack (*Figure 11*), then plug the charger into a wall outlet. A red light on the battery pack will indicate the battery pack is being charged.

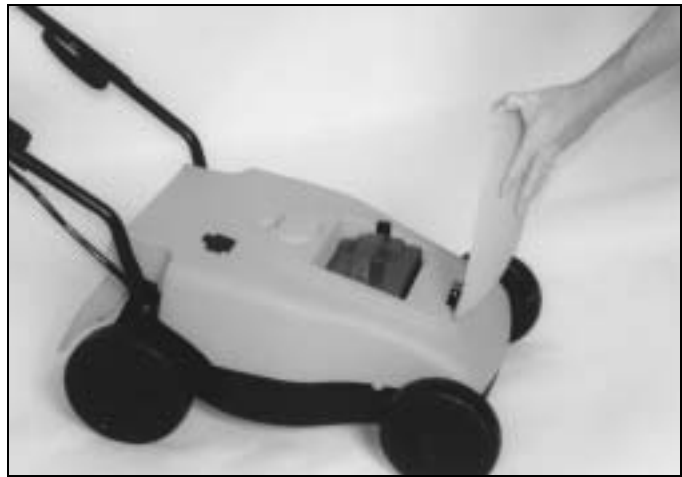


Figure 10

Note: The red light on the battery pack only indicates that the battery pack is being charged—it will not automatically turn off when charging is complete.

- Charging may take up to 12 hours depending on the battery power remaining prior to recharging.
- The charger is always warm to the touch during the first 5 hours or so of a typical 12-hour charge cycle. This is normal and not an indication of a problem.

IMPORTANT! Always keep the battery pack in a dry place.

Disconnecting the Charger

⚠ WARNING: Always disconnect the charger from the electrical (wall) outlet **FIRST**, and then disconnect the round charger plug from the mower's charger receptacle or the battery pack. If the round charger plug is removed first, the exposed connector can be accidentally short circuited by foreign material which may in turn cause a fire.

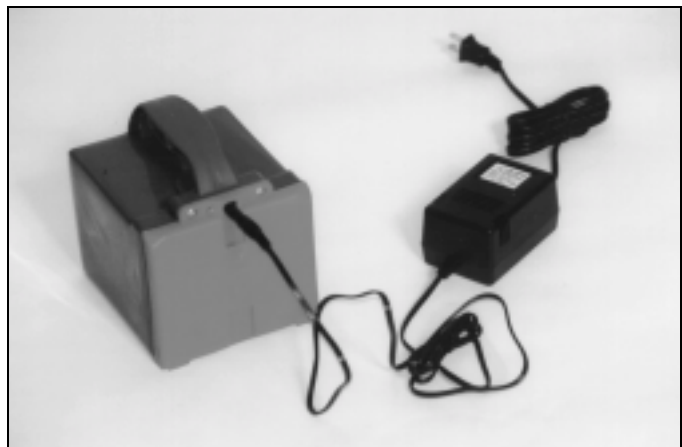


Figure 11

Recharging After Each Use of the Mower

IMPORTANT! Always recharge the mower to a full charge immediately after each use, no matter how short a time it was used, even if the battery power indicator on the control panel is still green. (Green means only 30% or more of the battery power is remaining.) This is important in order to maintain maximum mower performance and extend maximum battery pack life. If the mower is stored with a depleted battery pack, the batteries will become permanently damaged within a short time.

Recharging to a Full Charge for Off-Season Storage

1. Always recharge the mower to a full charge before putting it away for off-season storage. After giving the batteries a full charge (at least 12 hours of charging) you may leave the mower in storage for the entire off-season (up to 6 or 7 months) without adverse effect on the battery pack, provided the storage temperature is within the acceptable range (see below). The battery pack used in your DR[®] WHISPER LITE CORDLESS Electric Mower has much less self-discharging during storage than conventional lead acid batteries. Also remember to give the battery pack a full charge before first using the mower next season.
2. Owners of cordless electric mowers often ask if they may leave the charger on for weeks or months at a time, or even during the entire off-season of more than six months. The answer is that while leaving the charger on for several weeks will not damage the mower, leaving it on for an entire off-season is not as good for the battery pack life as periodic recharging. The manufacturer of the DR[®] WHISPER LITE CORDLESS Electric Mower's battery pack therefore makes the following recommendation:

The method most likely to contribute to a long battery life is to recharge for up to 12 hours about once every three or four months during off-season storage.

3. **Storage temperature range.** It is important for good battery performance that the mower is always stored in an environment between **-4°F (-20°C) and +104°F (+40°C)**. Make sure the storage temperatures will never be outside these limits. The lower the storage temperature is within the specified range the better, since the self-discharge is slower at low temperatures.
4. We do not recommend removing the battery pack from the mower during storage.
5. See page 21 for more storage information.

Battery Disposal

Please dispose of used batteries responsibly, according to your local hazardous materials regulations.

Controls & Features

Make yourself, and all other operators, familiar with the controls, parts and operation of the DR[®] WHISPER LITE[®] CORDLESS Electric Mower before using it.



Figure 12

Key Hole/Charger Receptacle

The key hole is the receptacle for both the external battery charger and the safety key, which is inserted to run the motor. The key hole is designed so that you can never connect the external battery charger and insert the safety key at the same time (*Figures 12 & 13*).

Safety Key

The safety key must be inserted to run the motor. The safety key has a built-in circuit breaker to protect the motor. When the built-in circuit breaker is tripped, the white button on top of the safety key will pop up. Before attempting to restart the mower, push the white button all the way down until it locks in place. Any time the circuit is tripped you'll need to reset the white button on the safety key. There is no replacement fuse inside the safety key.

The safety key can be inserted either way—there is no front or back (*Figure 13*).



Figure 13

Front & Rear Yellow Buttons

The front and rear yellow buttons are used to start the motor. After depressing the buttons they will return to their original position.

Operator Presence Control Bar

The operator presence control bar is a safety feature. When the bar is engaged the motor will continue to run and the blade will spin. When the bar is released, the motor will shut off and the blade will stop spinning within three seconds (*Figure 12*).

Battery Status Lights

Green Light On

When the green light is on the battery pack is between 30% and 100% charged (*Figure 14*).

Yellow Light On

When the yellow light is on, the battery pack power has declined, and there is now between 5% and 30% of the charge remaining (*Figure 14*).

Red Light On

When the red light is on, there is 5% or less of the power remaining. This is a signal that you should stop mowing and recharge the battery pack immediately. As a further reminder, the mower will emit an intermittent audible signal ("beep-beep") at the same time the red light is on.

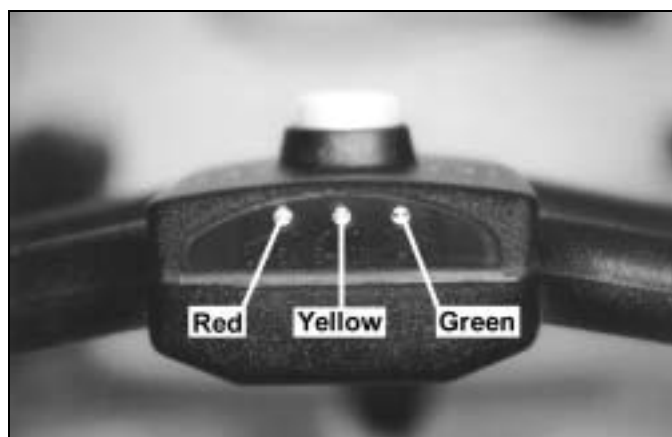


Figure 14

Do not operate the mower again until the battery pack is fully charged or it may suffer permanent damage.

If you continue to mow with the red light on, the motor will shut off automatically. This feature is added because there is a danger of permanent damage to the battery pack if it becomes fully depleted. Check the LED panel lights regularly while mowing and be alert to the red light and audio signal coming on (*Figure 14*).

Quick-Connect Handlebar Levers

The quick-connect levers (*Figure 12*) allow you to easily fold the handlebar over for storage.

Cutting Height Adjustment Lever

The cutting height adjustment lever (*Figure 12*) allows you to easily adjust how high or low you cut the grass.

Blade Brake Safety Feature

When the operator presence control lever is released, and the blade does not stop within three seconds, the red LED will flash and the audible "beep" signal will come on, followed very soon by automatic motor shut-off. If this happens, a relay will need to be replaced. For safety reasons, the mower cannot be restarted until the relay is replaced.

Please call us TOLL-FREE 1(800)DR-OWNER(376-9637) for more information and replacement parts.

Operating Instructions

Pre-Start Checks

If the mower battery pack is not fully charged, or if you are unpacking a new mower for the first time, read the section on Battery Care & Charging on page 6 before operating the mower.

⚠ WARNING! Do not insert the safety key until all pre-start checks have been made and you have moved to the mowing area.

- ⇒ Check under the mower deck and make sure you are using the correct blade (for mulching or grass collection), and that the blade is attached properly. Inspect for any visible damage to the blade or deck, and remove any accumulation of dirt, dust or dried grass clippings.
- ⇒ Select the desired cutting height. See the instructions on Adjusting the Cutting Height on page 14.
- ⇒ Attach the grass catcher, or install the discharge chute block for mulching. See the section on Using the Grass Catcher on page 15.
- ⇒ Push the mower to the lawn area to be mowed.

Note: The lawn mower battery pack has been fully charged at the factory. However, since batteries self-discharge over time, you must recharge the battery pack to a full charge before using your mower for the first time.

Reminder: The length of time that a battery pack can hold its charge while mowing a lawn depends upon lawn conditions; tall or thick grass make the mower work harder and cause the battery pack to discharge faster.

To Start the Motor and Engage the Blade

⚠ WARNING! Starting, stopping and restarting an electric motor repeatedly within a few seconds can generate a great deal of heat and damage the motor. To protect the long life of your DR[®] Whisper Lite, always wait at least five seconds after stopping, before restarting the mower.

IMPORTANT! The cutting blade turns when the motor is running, there is no clutch to allow the blade to stop rotating while the motor is running.

1. Do the pre-start checks listed above.
2. Insert the safety key into the key hole (page 11, Figure 13). The safety key can be inserted with either side up. The green light on the LED panel should come on if the battery pack is charged.

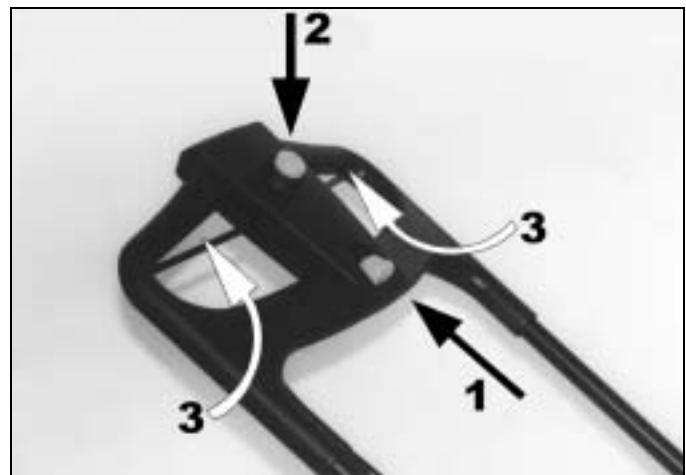


Figure 15

Note: The green light will come on if the battery pack has 30% or more power remaining. Be sure the battery pack is fully charged before operating the mower.

3. To start the mower press the front yellow button first (1), then the rear yellow button (2) and hold them down. Next, squeeze the operator presence control bar (3). Release the yellow buttons when the motor starts and continue to hold the operator presence control bar (*Figure 15*).

Note: The reason for the dual button feature is to make it difficult for small children to start the mower.

4. Continue to hold the operator presence control bar against the handlebar for as long as you want the motor to run.

Note: Releasing the operator presence control bar will immediately switch off the motor and the blade will stop spinning within three seconds.

⚠ WARNING! The operator presence control bar is a safety device. Do not tamper with it.

To Stop the Motor and the Blade

1. To stop the motor and the blade simply release the operator presence control bar (*page 13, Figure 15*). The motor will stop, and the blade will stop spinning within three seconds. The rear yellow button will pop out to its original position.

CAUTION: The blade will continue to rotate for a few seconds after the motor is shut off.

2. Remove the safety key when the equipment is unattended and the motor is shut off.
3. **ALWAYS** recharge the battery pack after each use—no matter how short. See page 9.

Adjusting the Cutting Height

⚠ WARNING: The safety key, with its built-in circuit breaker, should never be inserted during assembly, adjustments, cleaning, blade replacement, or when the mower is not in use. Removing the safety key will prevent accidental starting, and help avoid serious personal injury.

Adjust the cutting height to cut 1" to 2" of grass at a time. The cutting height adjustment handle is located near the left rear wheel (*Figure 16*).

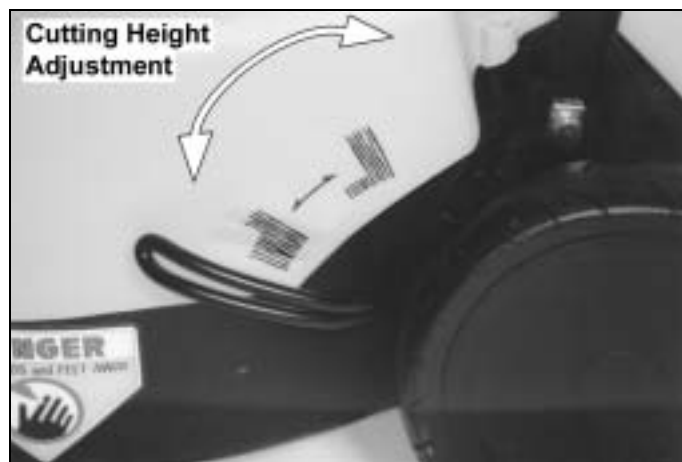


Figure 16

The handle may be placed in one of six cutting height positions:

Lever Position	Cutting Height
1 (Lever Highest)	1"
2	1-1/4"
3	1-4/5"
4	2-1/4"
5	2-3/5"
6 (Lever Lowest)	3"

1. Remove the safety key.
2. Make sure all four wheels are level.
3. The height adjustment lever is spring loaded. Squeeze the lever outward (toward the wheel) and out of its position notch.
4. Move the lever to the desired notch.

Using the Grass Catcher

Please Note: The Grass Catcher is shipped unassembled. See the assembly instructions on page 4.

To Attach the Grass Catcher

1. Raise the hinged discharge guard on the rear of the mower. If the optional plastic discharge chute block is installed, pull it out by its handle. (The block is seated in the chute by "press fit" and it may be necessary to pull quite hard.)
2. While keeping the discharge guard raised, insert the grass catcher into the holes on both sides of the mower (*Figure 17*).
3. Release the discharge guard and press it into the hole on the top of the grass catcher to lock the catcher in place (*Figure 17*).



Figure 17

4. Lock the grass catcher in place by sliding the black tab on the handle over the discharge guard.

To Remove the Grass Catcher

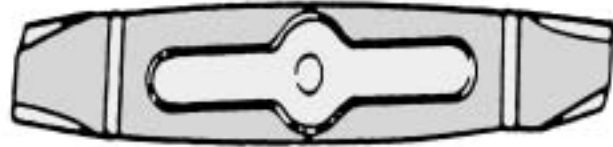
1. Unlock the black tab on the grass catcher handle.
2. Raise the discharge guard, grab the grass catcher by its handle and remove it by lifting it up while pulling out.
3. Release the discharge guard.

Mulching

1. Remove the grass catcher from the mower (see page 15) and install the optional discharge chute block (*Figure 18*). Be sure to push the block all the way in until the notch in its bottom is engaged.
2. Install the optional mulching blade (*Figure 18a*). Please see the instructions for Removing and Attaching the Blade on page 18.



Figure 18



Cutting Blade



Mulching Blade

Figure 18a

Using the Discharge Flap

When you don't want to collect clippings or mulch, the discharge flap allows regular cutting with clippings discharging to the rear of the mower.

1. Raise the hinged discharge guard.
2. Position the black discharge flap with the ribbed bend facing up, flush against the rear of the discharge guard (*Figure 19*).
3. Lower the hinged guard so the stud locks into the hole in the flap.

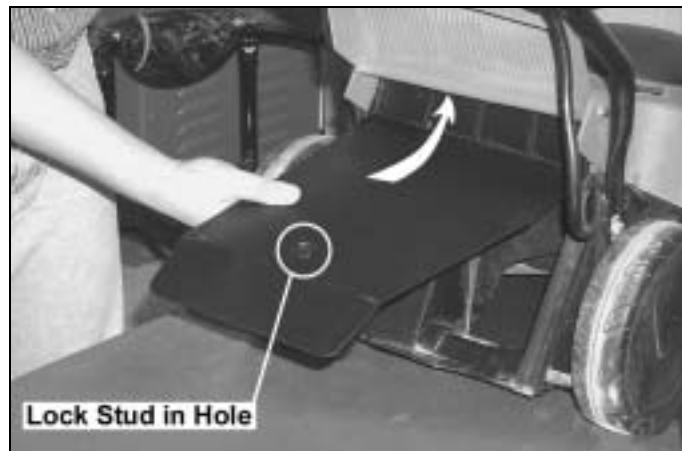


Figure 19

Mowing & Lawn Care Tips

- For best results, mow at a steady pace. If you try to walk too quickly, especially in tall grass, the quality of the cut may not be uniform.
- Mow as often as needed so that you are only cutting 1-2" of grass each mowing session. Trying to cut more than 2" will drastically reduce the charge life of the battery pack.
- For the healthiest lawn, avoid removing more than one third of the leaf blade during any one mowing session. When more than one third of the blade is removed, the grass plant produces less food for itself and therefore becomes weaker and more susceptible to disease and insect damage.
- Keep your mower blade sharp! A sharp mower blade cuts the grass quickly and cleanly, using less of the mower's power, which conserves battery pack life. For best results, inspect the blade often and have an extra, sharp blade ready to install as a replacement while the dull blade is being sharpened.
- Alternate the mowing pattern on your lawn frequently. By changing the pattern and direction of the cut, you'll improve the health and appearance of your lawn. Following the same mowing pattern causes soil compaction and turf wear from the mower wheels.
- Mow across slopes; never up and down.

Maintenance

Cleaning

Supplies Needed:

- clean, damp cloth or sponge
- mild soap or detergent (if needed)
- soft nylon brush (if needed)

⚠ WARNING: ALWAYS remove the safety key before performing any adjustments, maintenance or repairs.

1. Remove the safety key.
2. Use a damp cloth or sponge, with a mild soap or detergent if necessary, to clean the mower. Do not use water or solvents for cleaning. Remove any clippings that have accumulated on the underside of the deck and in the discharge chute. A soft nylon brush or non-metallic scrubbing pad may be used. Do not use a wire brush.
3. You may use water to clean the grass catcher, but not the mower itself. It is important for proper grass collection that the grass bag is clean and the mesh holes are not clogged. Allow the grass catcher to dry thoroughly before use. A wet grass catcher will clog quickly and hamper grass collection.

Removing and Attaching the Blade

Always check the blade for sharpness, damage and tightness before and after each use. Replace the blade promptly if it has been bent or damaged.

Tools & Supplies Needed:

- 36mm wrench (supplied with mower)
- 1/2" socket, or adjustable wrench
- gloves or rag to protect your hands

⚠ WARNING: ALWAYS remove the safety key before performing any adjustments, maintenance or repairs.

1. Remove the safety key and take out the battery pack. If you are charging the battery pack, first disconnect the charger from the electrical (wall) outlet.
2. Wear heavy gloves to protect your hands. Turn the mower over on its right side (when in the operating position) to expose the blade.
3. Place the 36mm wrench over the steel hex adapter (*Figure 20*).



Figure 20

- Loosen the 1/2" blade nut (*Figure 21*) with the socket or adjustable wrench. The blade nut turns counterclockwise to loosen. Hold the steel hex adapter steady in one hand to prevent the motor shaft from turning, while loosening the blade nut with the other hand.
- Remove the blade nut, steel hex adapter, blade, plastic spacer and steel blade adapter (*Figure 21*).

To replace a sharpened blade or to install a new blade, reverse steps 1 – 4 above. Be sure to replace all parts exactly as they were removed as shown in *Figure 21*. Observe the correct orientation of the blade, and tighten the blade nut firmly.

Note The blade has "This Side Up" printed on the top side.

To Sharpen the Blade

When the blade is dull, cut ends of the grass will be ragged and usually turn brown soon after mowing. A dull blade will also cause the battery pack to discharge more quickly. If the blade is in otherwise good condition, sharpen it when the cutting edges become dull. For best results, we recommend you remove the blade from the mower to sharpen it.

Tools & Supplies Needed:

- fine-tooth file or sharpening stone
- gloves
- safety glasses

⚠ WARNING: ALWAYS remove the safety key before performing any adjustments, maintenance or repairs.

To Sharpen the Blade in a Vice

- Remove the safety key.
- Turn the mower over on its right side (when in the operating position) to expose the blade. Remove the blade as instructed on page 18.
- Secure the blade in a sturdy vise.
- Wear safety glasses. Carefully file the cutting edges of the blade using even strokes. File both sides of the blade equally.
- Check the blade after sharpening to be sure it is still balanced. See page 20.

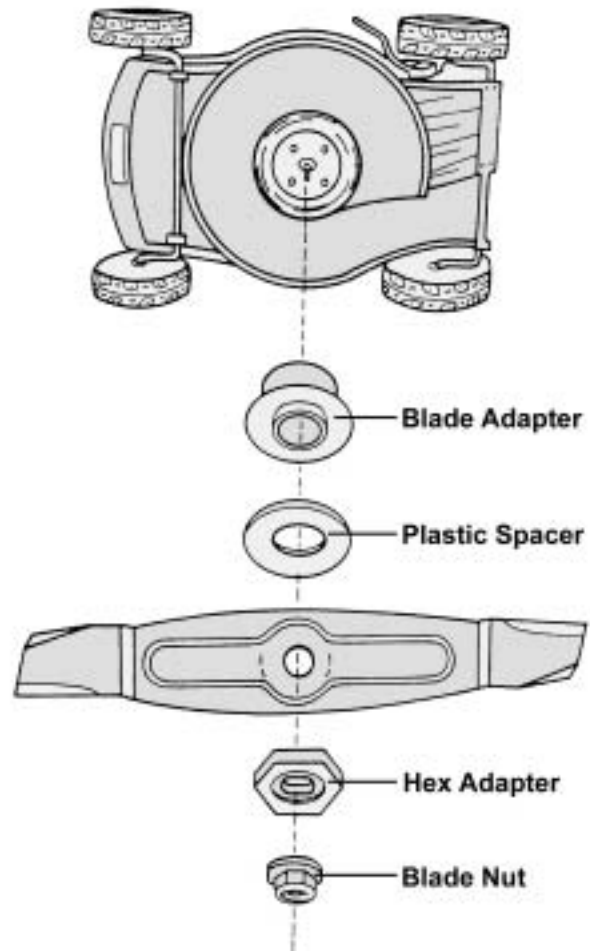


Figure 21

To Sharpen the Blade on the Mower

1. Remove the safety key.
2. Turn the mower over on its right side (when in the operating position) to expose the blade.
3. Wear safety glasses. Hold the blade and carefully file the cutting edges using even strokes. File both sides of the blade equally.

To Balance the Blade

Because you are removing metal from each side of the blade, make sure to remove an equal amount from each side to keep the blade balanced. A badly imbalanced blade will cause your machine to vibrate excessively. Excessive vibration may cause damage to the mower, especially the motor. The best way to balance a blade is with a blade balancer (usually about \$3.00 at your local hardware store) or with a large screwdriver, nail or bolt.

Tools & Supplies Needed:

- gloves
- blade balancer, or a large screwdriver, nail or bolt
- After sharpening the blade, hang it on the balancer (Figure 22) and check the level. If one side of the blade tips lower, sharpen that side a little at a time until the blade is balanced.
- When sharpening a used blade be especially careful to keep it balanced. If in doubt, replace the blade with a new one.

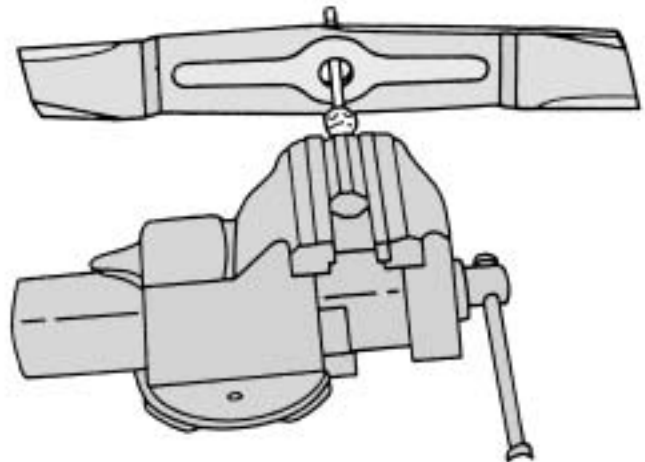


Figure 22

Lubrication

The DR[®] WHISPER LITE[®] mower does not require any lubrication and should not be lubricated.

Removing and Replacing the Battery Pack

For best battery performance and maximum battery pack life, always follow the recommendations in the Battery Care & Charging section beginning on page 6.

Eventually, after several years of normal use, the battery pack will need to be replaced.

Please dispose of used batteries responsibly, according to your local hazardous materials regulations.

Storage

Whether you store the mower for a short or long time, always remember these important guidelines:

- Always store the mower with a full battery charge and follow the recharging instructions in the Battery Care & Charging section.
- Always store the mower in an environment where the temperature is **between -4°F (-20°C) and $+104^{\circ}\text{F}$ ($+40^{\circ}\text{C}$)**. Make sure the storage temperatures will never be outside these limits. For long-term storage, the lower the storage temperature is within the specified range the better, since the self-discharge is lowest at low temperatures.
- Store the mower in a dry environment.
- Do not store the mower near chemicals such as fertilizers. These products are often highly corrosive and may cause permanent damage to your mower.
- Always keep the safety key in a safe place and away from children. It is not recommended that you remove the battery pack from the mower for separate long-term storage.
- We recommend storing the mower with the battery pack in it.

If you must store the battery pack outside the mower follow these rules:

- If the battery pack will be used again, give it a full charge before removing it from the mower.
- Do not store the battery pack close to a source of heat, sparks or open flames.
- The ambient temperature range must be within the -4°F (-20°C) and $+104^{\circ}\text{F}$ ($+40^{\circ}\text{C}$) temperature range.
- Do not store the battery pack in proximity to organic solvents.
- Do not expose the battery pack to abnormal shaking or shocks.
- Store the battery pack away from children.
- Do not press or bend or use force on the terminals.
- Do not apply heat, such as soldering, to the terminals.
- Store the battery pack in as dry an environment as possible. Do not store it on a floor that may be subject to accidental flooding, such as a basement.
- Regularly observe external appearance of the battery pack and keep it clean and dry. Never use a battery pack that shows cracks, change of shape, leaks, or other obvious damage.
- Never throw away used batteries. Bring them to a recycling center or dealer.
- During long-term storage of batteries that are intended for use in the mower again, reinstall them periodically for recharging as recommended in the Battery Care and Charging section beginning on page 6.

Troubleshooting

⚠ WARNING: ALWAYS remove the safety key before performing any adjustments, maintenance or repairs.

Problem	Corrective Action
<p><i>Motor fails to start when safety key is inserted, button and operator control bar are depressed</i></p>	<ul style="list-style-type: none"> ⇒ Check to make sure the safety key is properly inserted. ⇒ The blade may be obstructed. Remove the safety key, turn the mower over and check the blade. ⇒ Is the battery pack fully charged? Plug in the charger and check the lights. ⇒ If, when the operator presence control lever is released, the blade does not stop within three seconds, the red LED will flash and the audible "beep" signal will come on, followed very soon by automatic motor shut-off. A relay will need to be replaced, and for safety reasons, the mower cannot be restarted after this has occurred. Please call us Toll-Free 1(800)DR-OWNER(376-9637) for information and replacement parts.
<p><i>Mower stops while mowing (for reason other than releasing the operator presence control bar)</i></p>	<ul style="list-style-type: none"> ⇒ The mower may be overloaded. If all the lights are out, the circuit breaker inside the safety key has cut off power to protect the motor. Reinsert the safety key, reset the white button and restart the mower. ⇒ Cutting too much grass. Raise the cutting height and try again. ⇒ The blade, mower deck and/or discharge chute may be clogged with debris. Remove the safety key, turn the mower over and check below the deck. Clean if necessary. ⇒ The safety button may not be fully engaged. Reset it and try again. ⇒ The battery pack has been completely depleted. Recharge the battery pack.
<p><i>Excessive vibration or noise</i></p>	<ul style="list-style-type: none"> ⇒ The blade may be loose. Remove the safety key, turn the mower over and check that the blade is tight. ⇒ The blade may be unbalanced, bent or damaged. Remove the safety key, turn the mower over, remove the blade and check the condition of it. Replace if necessary.
<p><i>Mower runs, but cutting performance is unsatisfactory, or there is a loss of power</i></p>	<ul style="list-style-type: none"> ⇒ Was the battery pack fully charged at the start? ⇒ The blade may be dull. Remove the safety key, turn the mower over and check the condition of the blade. ⇒ The blade may be bent, loose or damaged. Remove the safety key, turn the mower over and check the condition of the blade. ⇒ The grass may be too high or too thick for the cutting height. Raise to a higher cutting height.

<i>Mower is hard to push</i>	<ul style="list-style-type: none"> ⇒ Mower is trying to cut too much grass. Raise the cutting height. ⇒ The wheels may not be rotating freely. Remove the safety key, turn the mower over and check the wheels for damage.
<i>Battery pack loses its charge quickly</i>	<ul style="list-style-type: none"> ⇒ Was the battery pack fully charged when you began? Charge the battery pack if necessary. ⇒ The grass may be too high or too thick. Try adjusting the cutting height higher, and/or mowing a narrower swath.
<i>Mower motor will not stop when operator presence control bar is released</i>	<ul style="list-style-type: none"> ⇒ The motor may have a defective relay. Remove the safety key to shut off the motor. Call one of our Customer Service Representatives Toll-Free 1(800)DR-OWNER(376-9637).
<i>Mower does not finish cutting lawn on a single charge any more</i>	<ul style="list-style-type: none"> ⇒ Was the battery pack fully charged at the start? ⇒ After some time, usually at least a couple of years, the battery pack will need to be replaced. ⇒ The blade may be dull. Sharpen it following the instructions on page 19.
<i>Mower grass catcher is collecting grass poorly</i>	<ul style="list-style-type: none"> ⇒ Grass catcher is full. Empty the grass catcher, and clean it if necessary. ⇒ Grass is too long, or the mower is cutting too low. Raise the cutting height. ⇒ The mower is moving too fast. Slow down. ⇒ The discharge chute may be clogged. Remove the safety key, turn the mower over and clean away any debris from the discharge chute and below the deck. ⇒ Is the correct blade installed? Is the right side of the blade facing up? Remove the safety key, turn the mower over and check the blade.
<i>Red light on charger does not come on when charger is plugged into wall outlet</i>	<ul style="list-style-type: none"> ⇒ The wall outlet may not have power. Verify power with another electrical device. ⇒ Charger may have a defective fuse. Check and replace if necessary. ⇒ Charger or charger cord may be defective. Call one of our Customer Service Representatives Toll-Free 1(800)DR-OWNER(376-9637).

Note: For repairs beyond the minor adjustments listed above, contact one of our Customer Service Representatives **Toll-Free 1(800)DR-OWNER(376-9637)**.

Parts List

Please refer to the schematic drawing on page 26 for reference numbers.

Ref #	Part #	Description	Ref #	Part #	Description
A1	A1-28137-00004	Grip Upper Housing	B9	B9-18181-00031	Battery Pack Cover Yellow
A2	A2-28163-00015	Switch Button	B10	B10-28116-00002	Battery Cover Hinge
A3	A3-26127-00062	Switch Button Spring	B11	B11-46197-00002	Screw
A4	A4-28163-00017	Press Button	B12	B12-28147-00004	Hinge Fixed Base
A5	A5-26127-00064	Press Button Spring	B13	B13-34124-00001	Safety Key
A6	A6-14138-00001	Switch Cable w/ LED	B14	B13-34124-00001	ES360 Battery Charger
A7	A7-28137-00001	Grip Lower Housing	B15	B15-46197-00072	Screw
A8	A8-28199-00004	LED Mounting Plate	B16	B16-28177-00015	Discharge Flap
A9	A9-28124-00001	Slide	C1	C1-18146-00011	Deck
A10	A10-26127-00063	Slide Spring	C2	C2-14136-00009	Motor 500W
A11	A11-26158-00001	Operator Pres. Control Bar	C3	C3-26199-00025	Motor Mounting Plate
A12	A12-26127-00056	Control Bar Spring	C4	C4-46196-00033	Screw
A13	A13-36137-00001	Upper Handlebar	C5	C5-26199-00027	Spring Washer
A14	A14-46197-00018	Screw	C6	C6-26199-00030	Flat Washer
A15	A15-26135-00005	Quick-Connect Lever	C7	C7-26198-00006	Tightening Nut
A16	A16-28137-00002	Quick-Connect Locker	C8	C8-26149-00001	Blade Adapter
A17	A17-46199-00007	Flat Washer	C9	C9-78199-00010	Plastic Spacer
A18	A18-28126-00003	Cord Clip	C10	C10-26143-00006	Cutting Blade
A19	A19-46196-00024	Screw	C11	C11-26199-00026	Hex Adapter
A20	A20-36137-00003	Lower Handle-Right	C12	C12-26198-00008	Blade Nut w/ Flange
A21	A21-36137-00002	Lower Handle-Left	C13	C13-26191-00001	36mm wrench
A22	A22-46196-00054	Screw	C14	C14-28183-00009	Rear Axle Cap
A23	A23-26199-00015	Spring Washer	C15	C15-34124-00007	Safety Key Plate
A24	A24-26199-00005	Square Washer	C16	C16-46197-00051	Screw
A25	A25-26127-00074	Pin	C17	C17-14133-00024	Printed Circuit Board
A26	A26-48158-00001	Pin Spring	C17-1	C171-14131-00005	Replaceable Relay on IC
B1	B1-18181-00016	Upper Housing Red	C18	C171-14131-00005	PC Board Cover
B1	B1-18181-00032	Upper Housing Yellow	C19	C18-28148-00002	Waterproof Pad
B2	B2-28183-00022	LED Cover	C20	C20-46197-00052	Screw
B3	B3-26127-00048	LED Spring	C21	C21-26177-00009	CU Connection
B4	B4-46135-00005	LED Pin	C22	C22-46196-00040	Screw
B5	B5-28183-00004	Discharge Guard Red	C23	C23-46198-00026	Nut
B5	B5-28183-00033	Discharge Guard Yellow	C24	C24-26196-00007	Screw
B6	B6-26127-00067	Guard Spring	C25	C25-26199-00035	Spring Washer
B7	B7-26135-00003	Discharge Guard Hinge	C26	C26-26127-00058	Lever Spring
B8	B8-48183-00019	End Tube Ringer	C27	C27-26135-00001	Spring Pin
B9	B9-18181-00015	Battery Pack Cover Red	C28	C28-18193-00002	Discharge Chute Block

Schematic Drawing

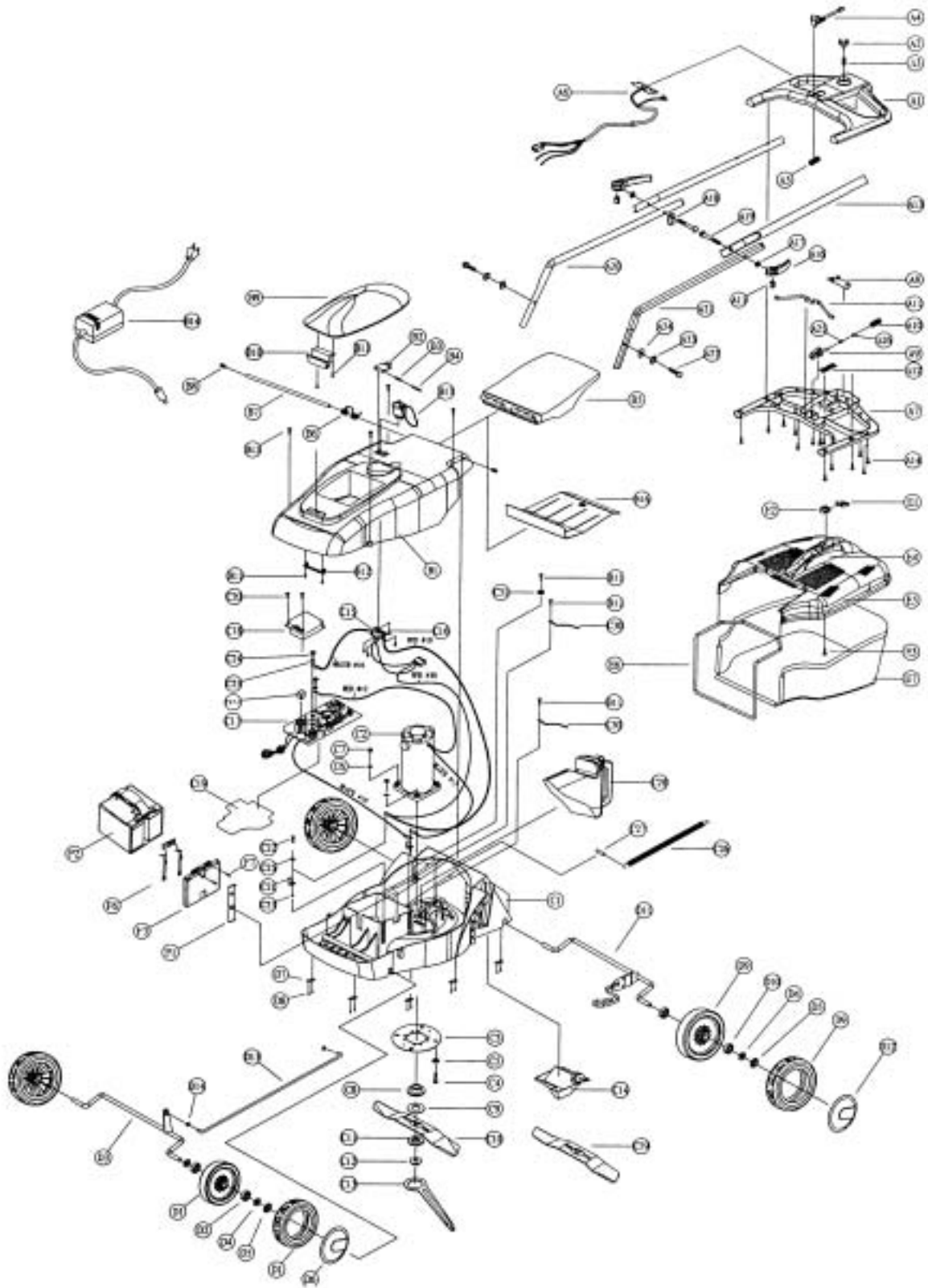


Figure 13

Notes

Notes

We Want You to be Totally Satisfied

The DR[®] WHISPER LITE[®] CORDLESS Electric Mower is designed to provide years of trouble-free performance. To ensure that you are totally satisfied with this important purchase, we offer the following three-part Assurance of Satisfaction:

1. The DR[®] WHISPER LITE[®] is **GUARANTEED FOR ONE FULL YEAR** against defects in materials and workmanship when in consumer use. If you believe that a part is defective, please write or call us immediately. We will do our best to remedy the problem, including repairing or replacing defective parts as quickly as possible.
2. **IF WITHIN 30 DAYS** of first using it you have questions or you are less than 100% satisfied with your DR[®] WHISPER LITE[®], please write or call us **TOLL-FREE 1(800)DR-OWNER (376-9637)**. We will do everything possible to answer your questions or make things right—even if it means that you return your DR[®] WHISPER LITE[®] for a full refund of its purchase price, shipping costs included. (Refund on shipping is for standard method, and applies to the contiguous United States and Canada only.)
3. We operate, for our Owners, a 7-Days-a-Week Customer Service Department with well-trained and friendly folks whose sole job is to ensure that you get any help you need...parts that need to be replaced...or questions answered courteously and as promptly as possible.



COUNTRY HOME PRODUCTS[®]
Meigs Road, P.O. Box 25, Vergennes, Vermont 05491
1(800)DR-OWNER(376-9637)

CODE: 30166X
