

## CHAPTER 7

---

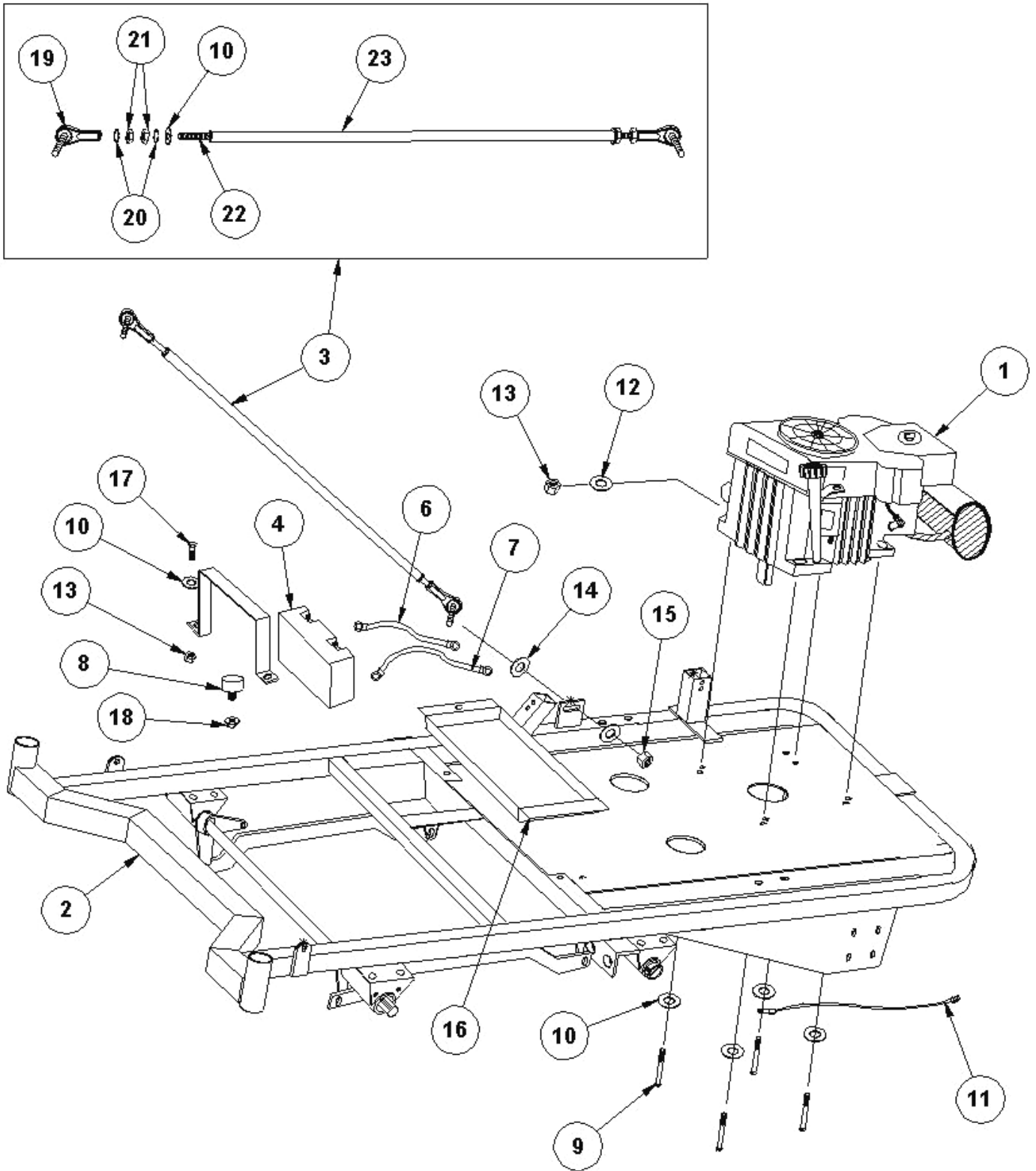
# PARTS LISTS, SCHEMATIC DIAGRAMS AND WARRANTY

### ***Parts List - Engine to Chassis***

**NOTE:** Part numbers listed are available through DR Power Equipment.

<b>Ref#</b>	<b>Part#</b>	<b>Description</b>
01	225201	19.5 HP Briggs & Stratton Engine
	225211	22 HP Briggs & Stratton Engine
02	241131	Frame
03	225431	Tie Rod Assembly
04	104831	Battery
05	241161	Battery, Strap
06	241181	Battery Cable, Red
07	241191	Battery Cable, Black
08	241171	Bumper, Battery Stop
09	227831	Bolt, 5/16"-18 x 2" HCS
10	227961	Washer, Flat, 5/16"
11	226591	Wire Assembly, Ground, Clutch
12	228001	Washer, Lock, Split, 5/16"
13	227911	Nut, Nylock, 5/16"-18
14	227971	Washer, Flat, 3/8"
15	227951	Nut, Nylock, 3/8"-24
16	226601	Tool Tray
17	227801	Bolt, 5/16"-18 x 3/4" HCS
18	241341	Nut, Lock, 5/16"-18
19	225231	Rod, Tie, End
20	228011	Washer, Split, 3/8"
21	228081	Nut, Hex, 3/8"-24
22	225441	Rod, Tie, All Thread
23	226551	Tube, Tie Rod, Short

# Schematic - Engine to Chassis



080210

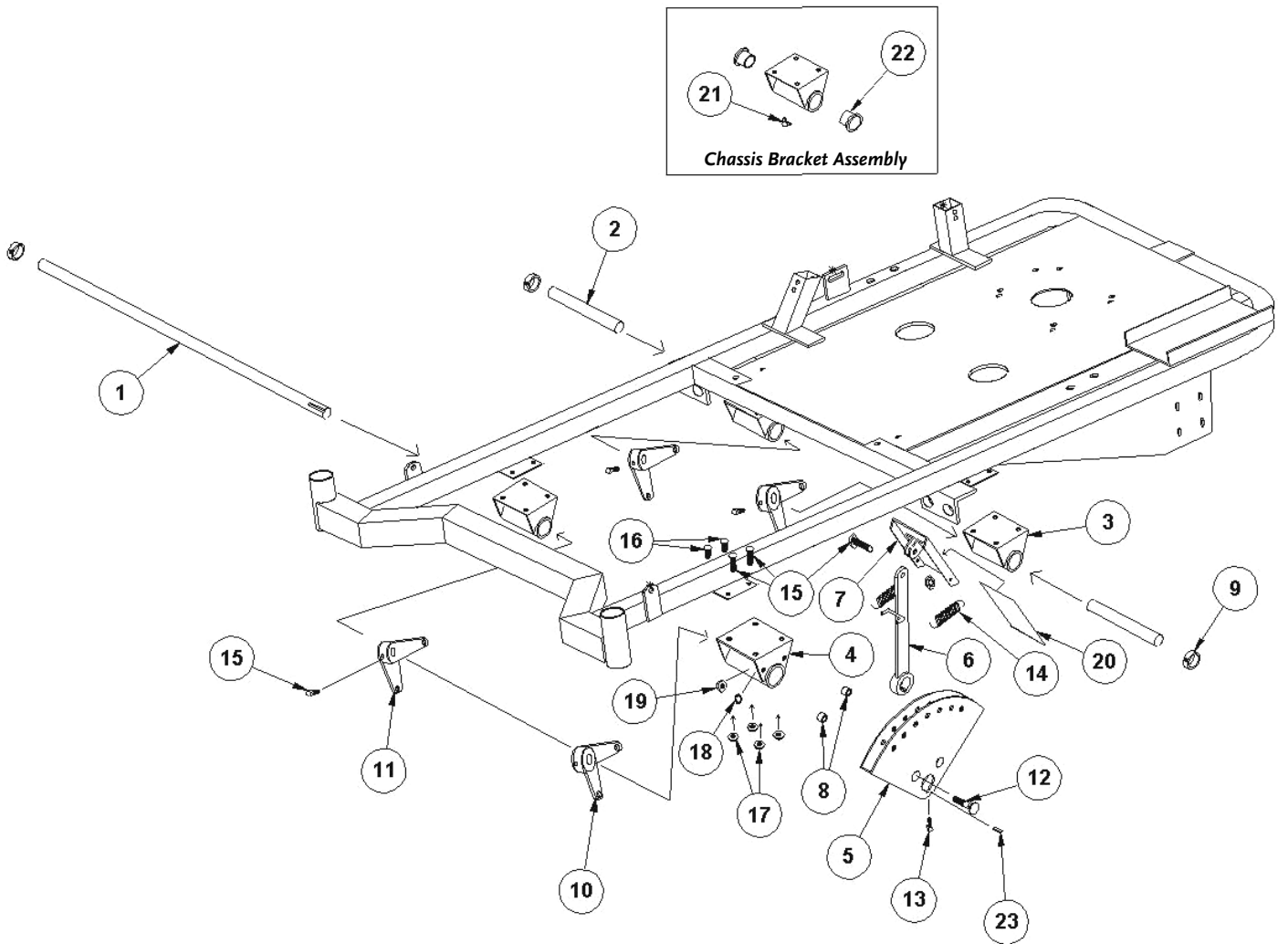
CONTACT US AT [www.DRPower.com](http://www.DRPower.com) or CALL TOLL FREE 1-800-DR-OWNER

## Parts List - Chassis Foot Lift Assembly

**NOTE:** Part numbers listed are available through DR Power Equipment.

Ref#	Part#	Description
01	227701	Pivot Shaft w/Key
02	227681	Shaft, Deck
03	227641	Chassis Bracket w/No Holes
04	227651	Chassis Bracket w/Holes
05	227631	Block, Adjusting, Deck
06	227661	Arm, Foot Pedal
07	227671	Foot Pedal Assembly
08	227711	Spacer, Adjusting Block
09	167810	Collar, Caster
10	226531	Lever, Deck Lift, L/Hand
11	226521	Lever, Deck Lift, R/Hand
12	228261	Bolt, Carriage, 5/16"-18 x 1"
13	228331	Screw, Set, Square Head, 5/16"-18 x 1/2"
14	184190	Spring, Linkage
15	227811	Bolt, 5/16"-18 x 1" HCS
16	227801	Bolt, 5/16"-18 x 3/4" HCS
17	227911	Nut, Nylock, 5/16"-18
18	228001	Washer, Split, 5/16"
19	228041	Nut, Hex, 5/16"-18
20	226121	Non Slip Foot Pad
21	228221	Fitting, Pipe, Grease, 1/8"
22	167820	Bushing, Caster, Nylon
23	228151	Key Stock, 1/4" x 3/4"

# Schematic - Chassis Foot Lift Assembly

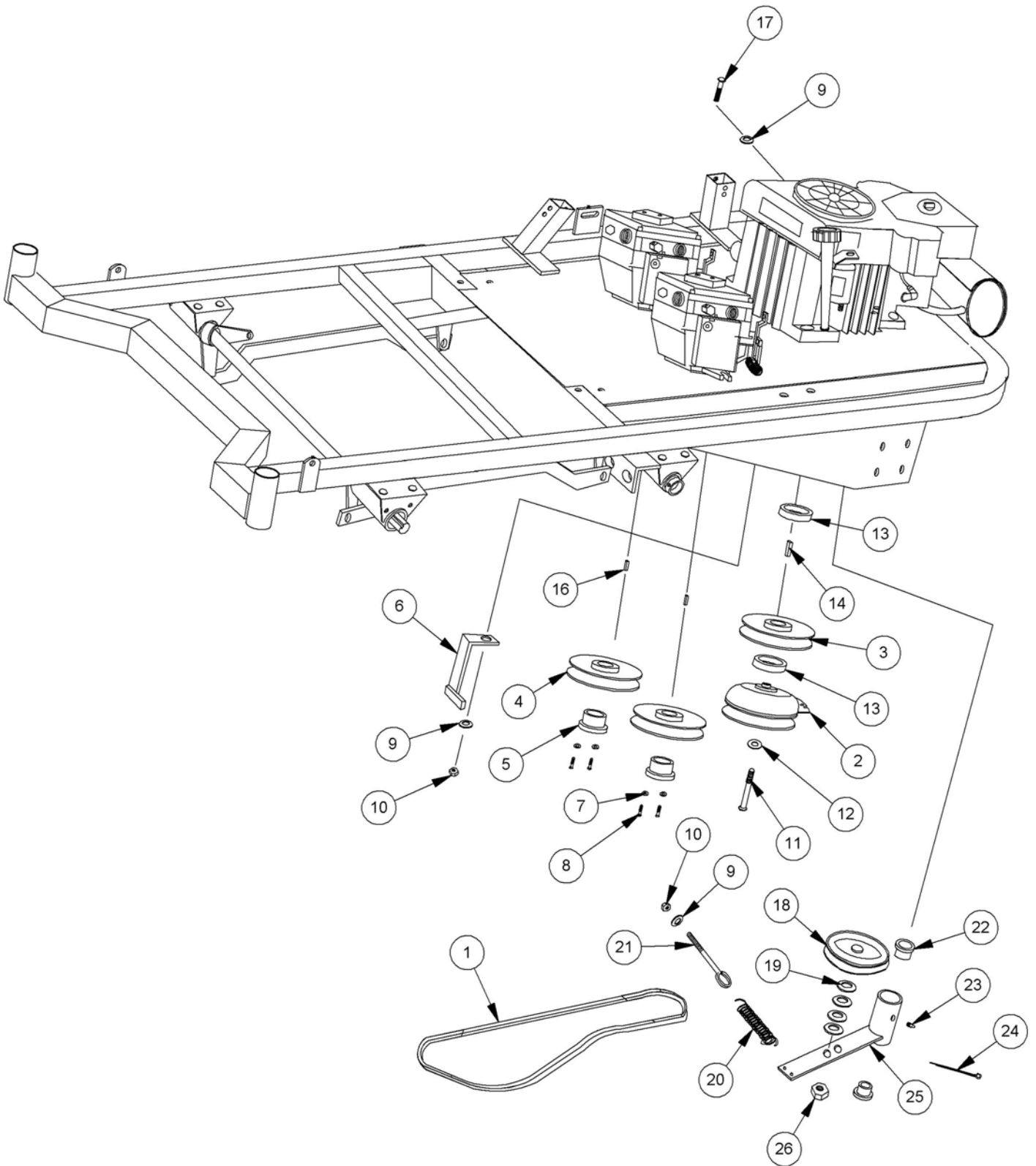


## Parts List - Lower Chassis Assembly

**NOTE:** Part numbers listed are available through DR Power Equipment.

<b>Ref#</b>	<b>Part#</b>	<b>Description</b>
01	228371	Hydro Belt
02	159220	Clutch for 1" Engine Shaft
03	202071	Pulley, Engine Drive, 1"
04	202081	Pulley, Hydro Drive
05	159620	Bushing, Hydro Pulley
06	227501	Bracket, Clutch
07	161900	Washer, Lock, Split, 1/4"
08	227781	Bolt, 1/4"-20 x 1" HCS
09	227961	Washer, Flat, 5/16"
10	227911	Nut, Nylock, 5/16"-18
11	228131	Bolt, 7/16"-20 x 3" Fine Thread
12	228021	Washer, Split, 7/16"
13	168411	Spacer, Engine Shaft, 1" ID
14	228151	Key Stock, 1/4" x 3/4"
16	228141	Key Stock, 3/16" x 1"
17	227831	Bolt, 5/16"-18 x 2" HCS
18	202061	Pulley, Idler, Deck
19	227981	Washer, Flat, 1/2"
20	176261	Spring, Mule Drive
21	167270	Bolt, Eye, 5/16"-18 x 3-1/2"
22	225261	Bushing, 1" ID, Bronze
23	226051	Fitting, Grease, 5/16", Drive
24	225421	Pin, Cotter
25	226631	Idler Assembly
26	227931	Nut, Nylock, 1/2"-13

# Schematic - Lower Chassis Assembly



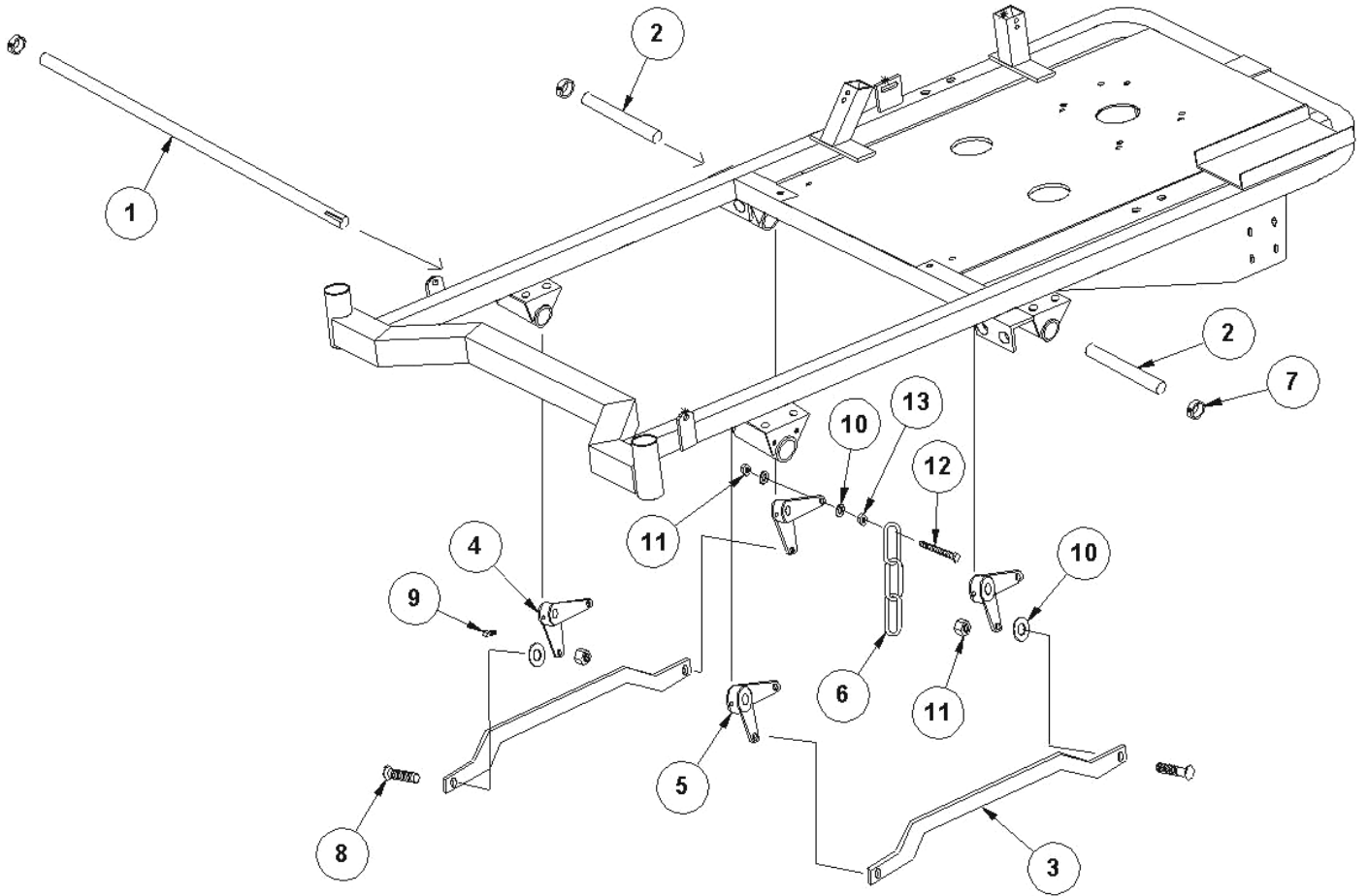
070110

## **Parts List - Deck Lift Arm Assembly**

**NOTE:** Part numbers listed are available through DR Power Equipment.

<b>Ref#</b>	<b>Part#</b>	<b>Description</b>
01	227701	Pivot Shaft w/Key
02	227691	Shaft, Deck
03	226471	Arm, Lift, Deck
04	226521	Lever, Deck Lift, R/Hand
05	226531	Lever, Deck Lift, L/Hand
06	227761	Chain, Deck Lift
07	167810	Collar, Caster
08	227821	Bolt, 5/16"-18 x 1-1/4" HCS
09	227811	Bolt, 5/16"-18 x 1" HCS
10	227961	Washer, Flat, 5/16"
11	227911	Nut, Nylock, 5/16"-18
12	226341	Bolt, 5/16"-18 x 1-1/4" HCS, Gr 8
13	228041	Nut, Hex, 5/16"-18

# Schematic - Deck Lift Arm Assembly



080210

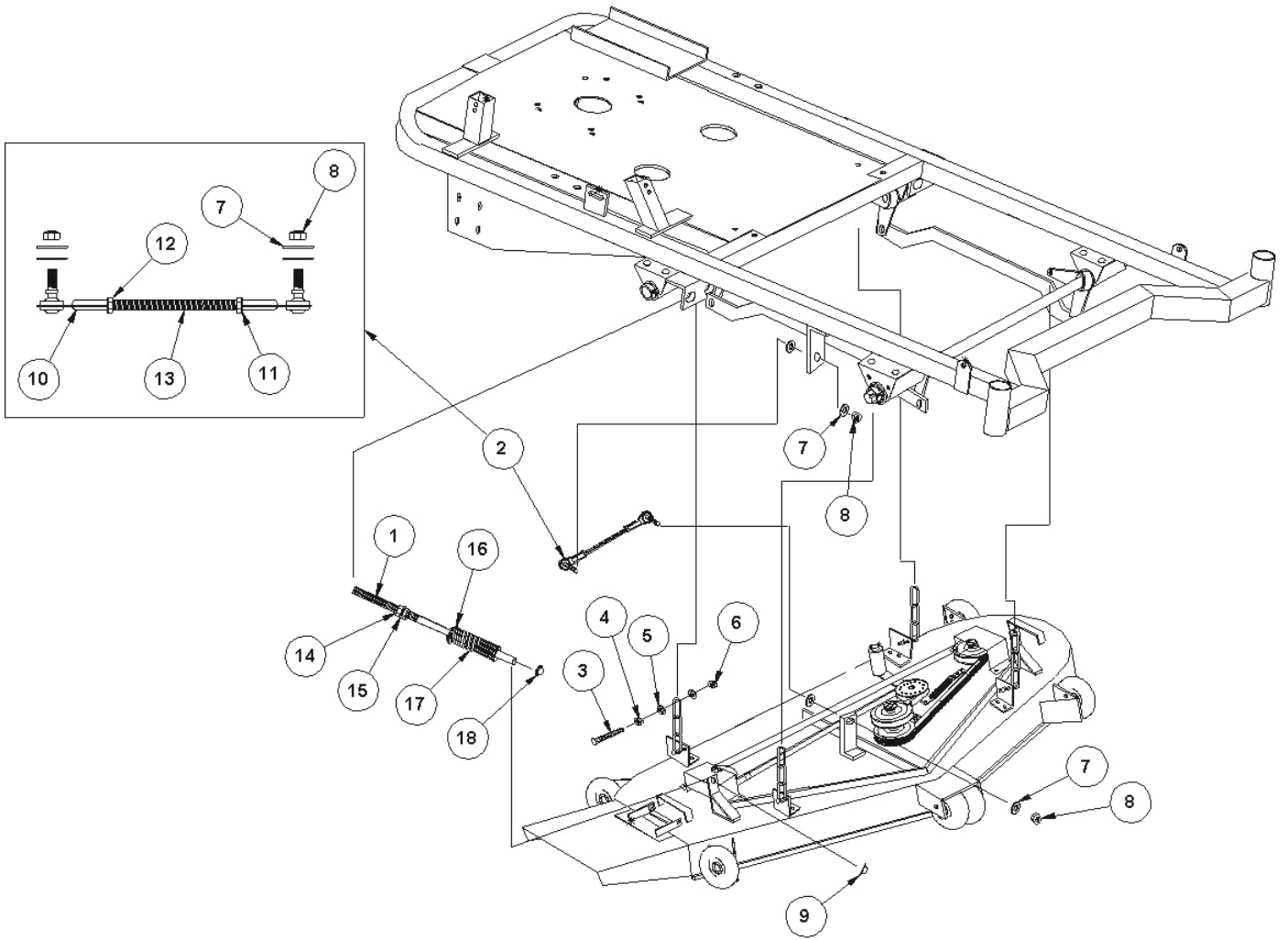


## **Parts List - Deck to Chassis Assembly**

**NOTE:** Part numbers listed are available through DR Power Equipment.

<b>Ref#</b>	<b>Part#</b>	<b>Description</b>
01	185631	Deck Spring Assembly
02	225371	Side Motion Rod Assembly
03	226341	Bolt, 5/16"-18 x 1-1/4" HCS, Gr 8
04	228041	Nut, Hex, 5/16"-18
05	227961	Washer, Flat, 5/16"
06	227911	Nut, Nylock, 5/16"-18
07	227971	Washer, Flat, 3/8"
08	227951	Nut, Nylock, 3/8"-24
09	228351	Nut, Cap, Push, Deck Rod
10	225231	Rod, Tie, End
11	228011	Washer, Split, 3/8"
12	228081	Nut, Hex, 3/8"- 24
13	226321	Rod, Motion, Deck Side
14	228061	Nut, Hex, 1/2"-13
15	228031	Washer, Split, 1/2"
16	226611	Washer, Adjusting Rod, Deck
17	225411	Spring, Drive, Deck
18	228351	Cap, Push, Deck Rod

# Schematic - Deck to Chassis Assembly



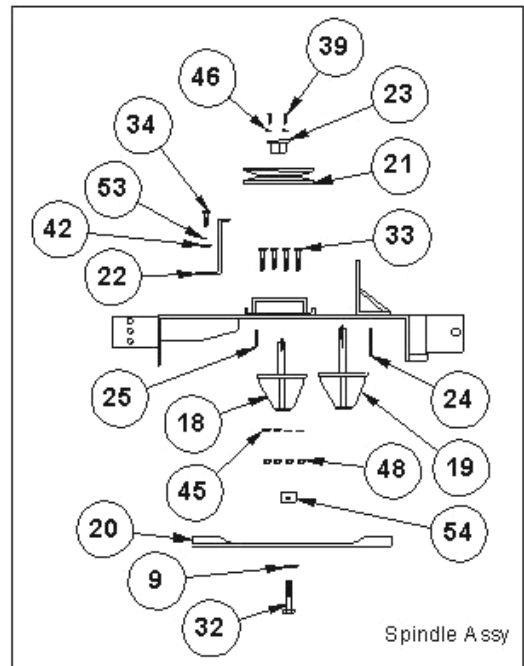
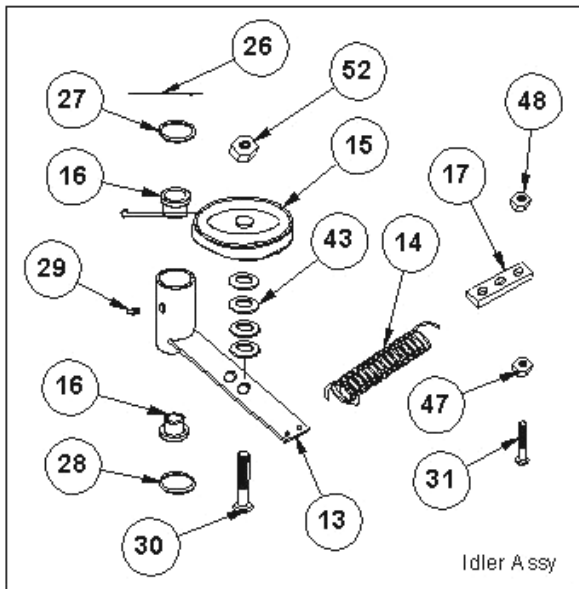
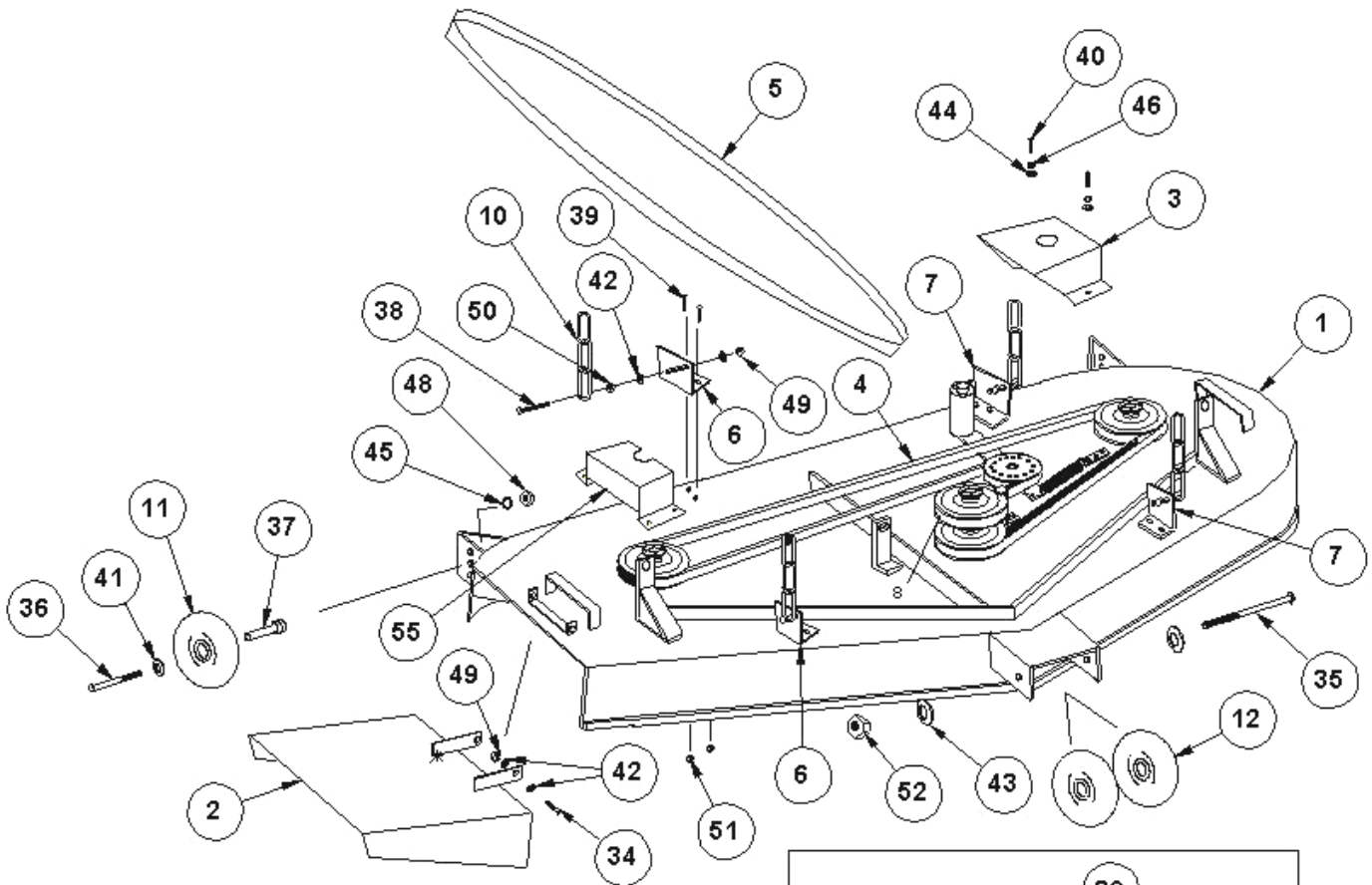
080210

## Parts List - Deck 48"

**NOTE:** Part numbers listed are available through DR Power Equipment.

Ref#	Part#	Description	Ref#	Part#	Description
01	227741	Deck Shell, 48"	35	222851	Bolt, 1/2"-13 x 7" HCS
02	228411	Deflector, Discharge	36	223071	Bolt, Anti Scalp, 3/8" x 3-3/4"
03	225171	Guard, Belt, 48", LH	37	222881	Bushing, Anti Scalp, Wheel
04	155440	Belt, Deck	38	226341	Bolt, 5/16"-18 x 1-1/4" HCS, Gr 8
05	228581	Belt, Engine to Deck, 48"	39	227781	Bolt, 1/4"-20 x 1" HCS
06	226481	Bracket, Deck, Front, R/H	40	161920	Bolt, 1/4"-20 x 3/4" HCS
07	226491	Bracket, Deck, Front, L/H	41	227971	Washer, Flat, 3/8"
08	209011	Pulley, Top, 48"	42	227961	Washer, Flat, 5/16"
09	228021	Washer, Split, 7/16"	43	227981	Washer, Flat, 1/2"
10	227761	Chain, Deck Lift	44	161910	Washer, Flat, 1/4"
11	222861	Wheel, Anti Scalp, 5/8" Hole	45	228011	Washer, Split, 3/8"
12	222871	Wheel, Anti Scalp, 1/2" Hole	46	161900	Washer, Split, 1/4"
13	226631	Idler Assembly	47	228051	Nut, Hex, 3/8"
14	202181	Spring, Deck	48	227921	Nut, Nylock, 3/8"-16
15	202061	Pulley, Idler, Deck	49	227911	Nut, Nylock, 5/16"-18
16	225261	Bushing, 1" ID, Bronze	50	228041	Nut, Hex, 5/16"-18
17	225121	Extension, Flag Spring	51	227901	Nut, Nylock, 1/4"-20
18	156770	Spindle, Outside, 2"	52	227931	Nut, Nylock, 1/2"-13
19	159870	Spindle, Center, 3"	53	228001	Washer, Split, 5/16"
20	152871	Blade, for 48" Deck	54	226021	Spacer, Blade, 5/8"
21	202081	Pulley, Spindle	55	228571	Guard, Belt, 48", RH
22	166041	Guide, Belt, Deck			
23	225451	Bushing, Taper Pulley			
24	228311	Key Stock, 1/4" x 2-1/2"			
25	228161	Key Stock, 1/4" x 1-1/2"			
26	225421	Pin, Cotter			
27	228111	Bushing, Machine, 1" ID, 18 Ga.			
28	167830	Bushing, Machine, 1" ID, 14 Ga.			
29	226051	Fitting, Grease, Drive, 5/16"			
30	228191	Bolt, 1/2"-13 x 2-1/4" HCS			
31	227841	Bolt, 3/8"-16 x 1-1/4" HCS			
32	226041	Bolt, Blade			
33	227851	Bolt, 3/8"-16 x 1-1/2" HCS			
34	227821	Bolt, 5/16"-18 x 1-1/4" HCS			

**Schematic - Deck 48"**



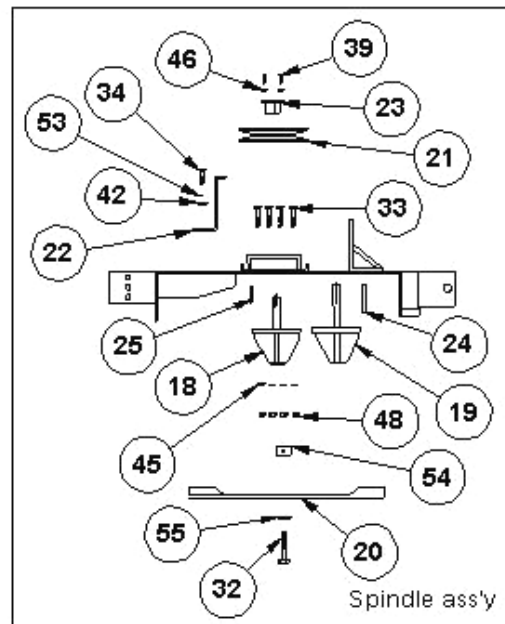
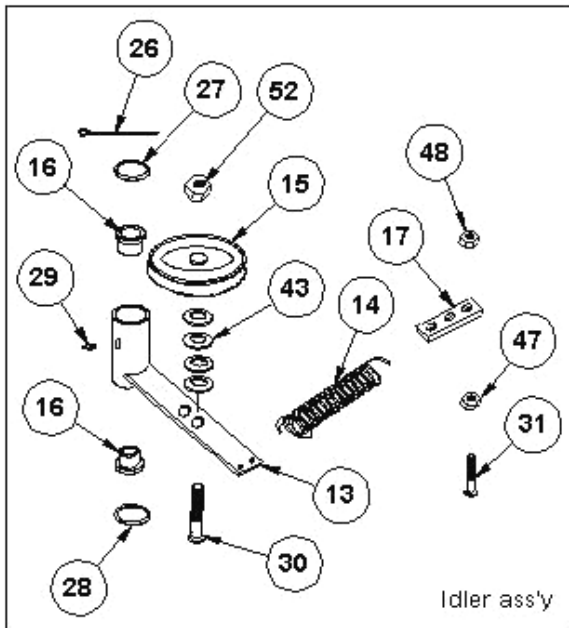
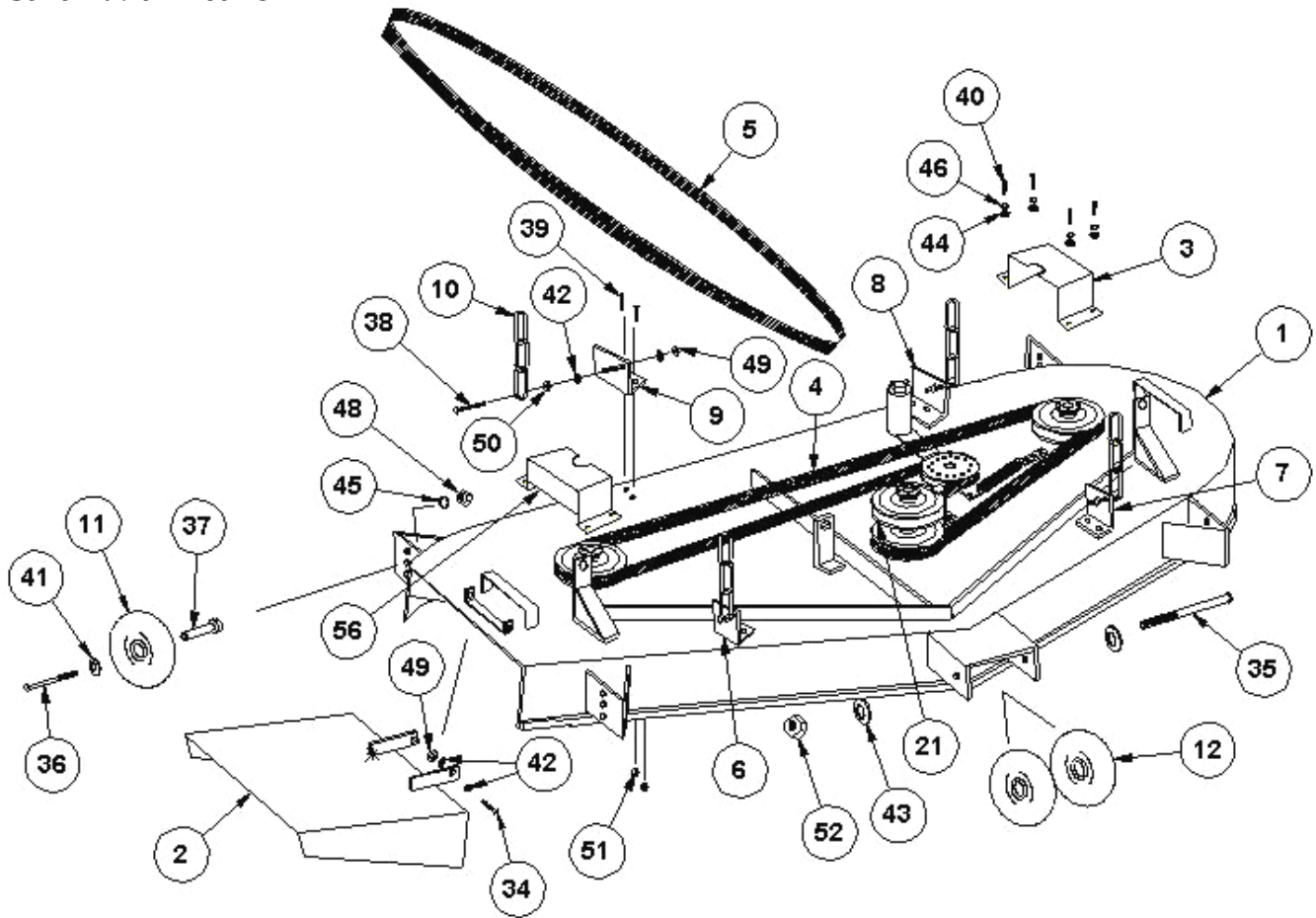
080210

## Parts List - Deck 52"

**NOTE:** Part numbers listed are available through DR Power Equipment.

<u>Ref#</u>	<u>Part#</u>	<u>Description</u>	<u>Ref#</u>	<u>Part#</u>	<u>Description</u>
01	227751	Deck Shell, 52"	35	222851	Bolt, 1/2"-13 x 7" HCS
02	158311	Deflector, Discharge	36	223071	Bolt, Anti Scalp, 3/8"-16 x 3-3/4"
03	227531	Guard, Belt, 52", LH	37	222881	Bushing, Anti Scalp, Wheel
04	225321	Belt, Deck	38	226341	Bolt, 5/16"-18 x 1-1/4" HCS, Gr 8
05	225331	Belt, Engine to Deck, 52"	39	227781	Bolt, 1/4"-20 x 1" HCS
06	226481	Bracket, Deck, Front, R/H	40	161920	Bolt, 1/4"-20 x 3/4" HCS
07	226491	Bracket, Deck, Front, L/H	41	227971	Washer, Flat, 3/8"
08	226511	Deck Bracket Rear L/H	42	227961	Washer, Flat, 5/16"
09	226501	Deck Bracket Rear R/H	43	227981	Washer, Flat, 1/2"
10	227761	Chain, Deck Lift	44	161910	Washer, Flat, 1/4"
11	222861	Wheel, Anti Scalp, 5/8" Hole	45	228011	Washer, Split, 3/8"
12	222871	Wheel, Anti Scalp, 1/2" Hole	46	161900	Washer, Split, 1/4"
13	226631	Idler Assembly	47	228051	Nut, Hex, 3/8"-16
14	202181	Spring, Deck	48	227921	Nut, Nylock, 3/8"-16
15	202061	Pulley, Idler, Deck	49	227911	Nut, Nylock, 5/16"-18
16	225261	Bushing, 1" ID, Bronze	50	228041	Nut, Hex, 5/16"-18
17	225121	Extension, Flag Spring	51	227901	Nut, Nylock, 1/4"-20
18	156770	Spindle, Outside, 2"	52	227931	Nut, Nylock, 1/2"-13
19	159870	Spindle, Center, 3"	53	228001	Washer, Split, 5/16"
20	225381	Blade, for 52" Deck	54	226021	Spacer, Blade, 5/8"
21	202081	Pulley, Spindle	55	228021	Washer, Split, 7/16"
22	166041	Guide, Belt, Deck	56	227521	Guard, Belt, 52", RH
23	225451	Bushing, Taper Pulley			
24	228311	Key Stock, 1/4" x 2-1/2"			
25	228161	Key Stock, 1/4" x 1-1/2"			
26	225421	Pin, Cotter			
27	228111	Bushing, Machine, 1" ID, 18 Ga.			
28	167830	Bushing, Machine, 1" ID, 14 Ga.			
29	226051	Fitting, Grease, Drive, 5/16"			
30	228191	Bolt, 1/2"-13 x 2-1/4" HCS			
31	227841	Bolt, 3/8"-16 x 1-1/4" HCS			
32	226041	Bolt, Blade			
33	227851	Bolt, 3/8"-16 x 1-1/2" HCS			
34	227821	Bolt, 5/16"-18 x 1-1/4" HCS			

Schematic - Deck 52"

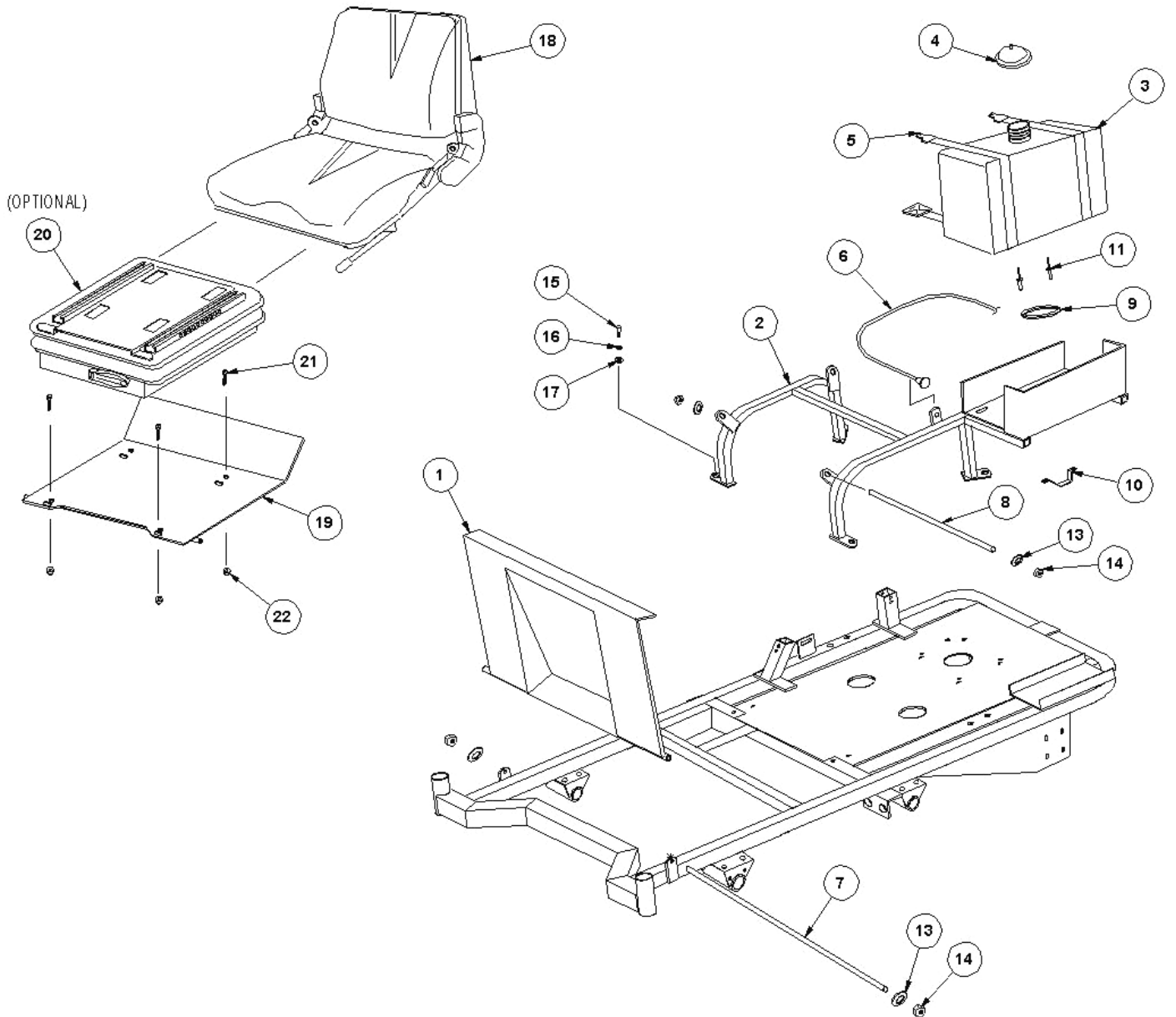


## Parts List - Seat Pedestal Assembly

**NOTE:** Part numbers listed are available through DR Power Equipment.

<b>Ref#</b>	<b>Part#</b>	<b>Description</b>
01	227731	Rest, Foot
02	226391	Pedestal, Seat
03	159191	Tank, Gas, 5 Gallon
04	165791	Cap, Gas
05	225131	Strap, Gas Tank
06	228721	Cable, Choke
07	225461	Rod, Foot Rest, All Thread
08	226011	Rod, Seat Plate, All Thread
09	225151	Ring, Gas Tank
10	225141	Bracket, Gas Tank Valve
11	228321	Rivet, 3/16"
12	226411	Plate, Seat
13	227971	Washer, Flat, 3/8"
14	227921	Nut, Nylock, 3/8"-16
15	227821	Bolt, 5/16"-18 x 1-1/4" HCS
16	228001	Washer, Split, 5/16"
17	227961	Washer, Flat, 5/16"
18	227611	Seat, Fold Down, Gray
19	226411	Plate, Seat
20	227621	Suspension (Optional Equipment)
21	227801	Bolt, 5/16"-18 x 3/4" HCS
22	227911	Nut, Nylock, 5/16"-18

# Schematic - Seat Pedestal Assembly



080210

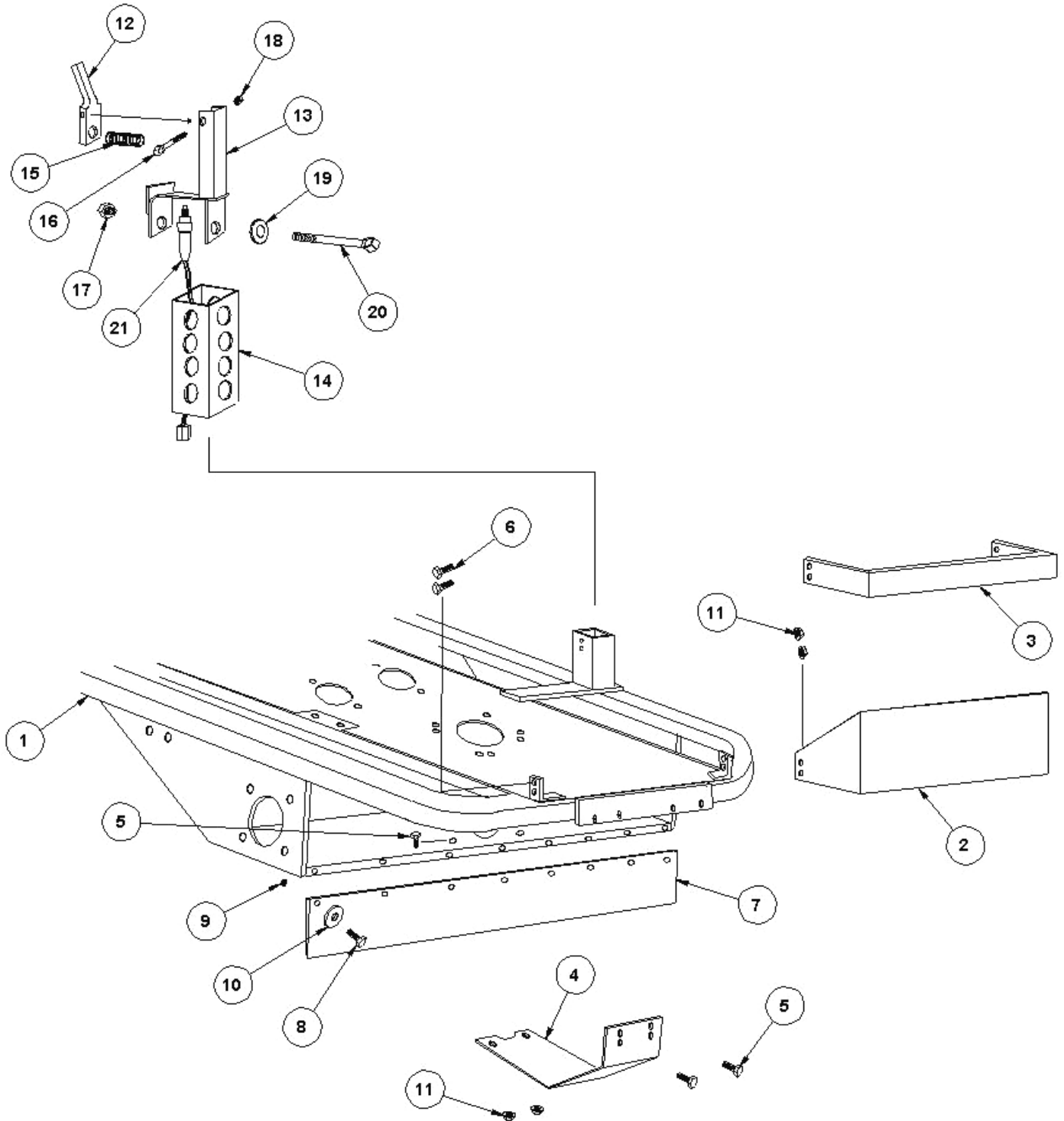


## Parts List - Arm Rest Assembly w/Rear Guards

**NOTE:** Part numbers listed are available through Country Home Products, Inc.

<b>Ref#</b>	<b>Part#</b>	<b>Description</b>
01	241131	Frame
02	228611	Rear Mower Guard for 22 HP Briggs & Stratton Engine
03	226621	Rear Mower Guard for 19.5 HP Briggs & Stratton Engine
04	241151	Guard, Rear
05	228271	Bolt, 3/8"-18 x 3/4" HCS
06	228291	Bolt, 3/8"-18 x 1" HCS
07	241141	Guard, Debris
08	227801	Bolt, 5/16"-18 x 3/4" HCS
09	227911	Nut, Nylon Lock, 5/16"-18
10	227961	Washer, Flat, 5/16"
11	228241	Nut, Lock, Wiz, 3/8"
12	227601	Latch, Control Arm
13	158430	Housing, Control Arm Latch
14	225191	Tube, Control Rest
15	227511	Spring, Lock Out
16	228301	Bolt, 1/4"-20 x 1-3/4" HCS
17	227921	Nut, Nylock, 3/8"-16
18	227901	Nut, Nylock, 1/4"-20
19	227971	Washer, Flat, 3/8"
20	227861	Bolt, 3/8"-18 x 3" HCS
21	241241	Switch w/Leads and Boot

**Schematic - Arm Rest Assembly w/Rear Guards**



080210

## **Parts List - Control Panel Assembly**

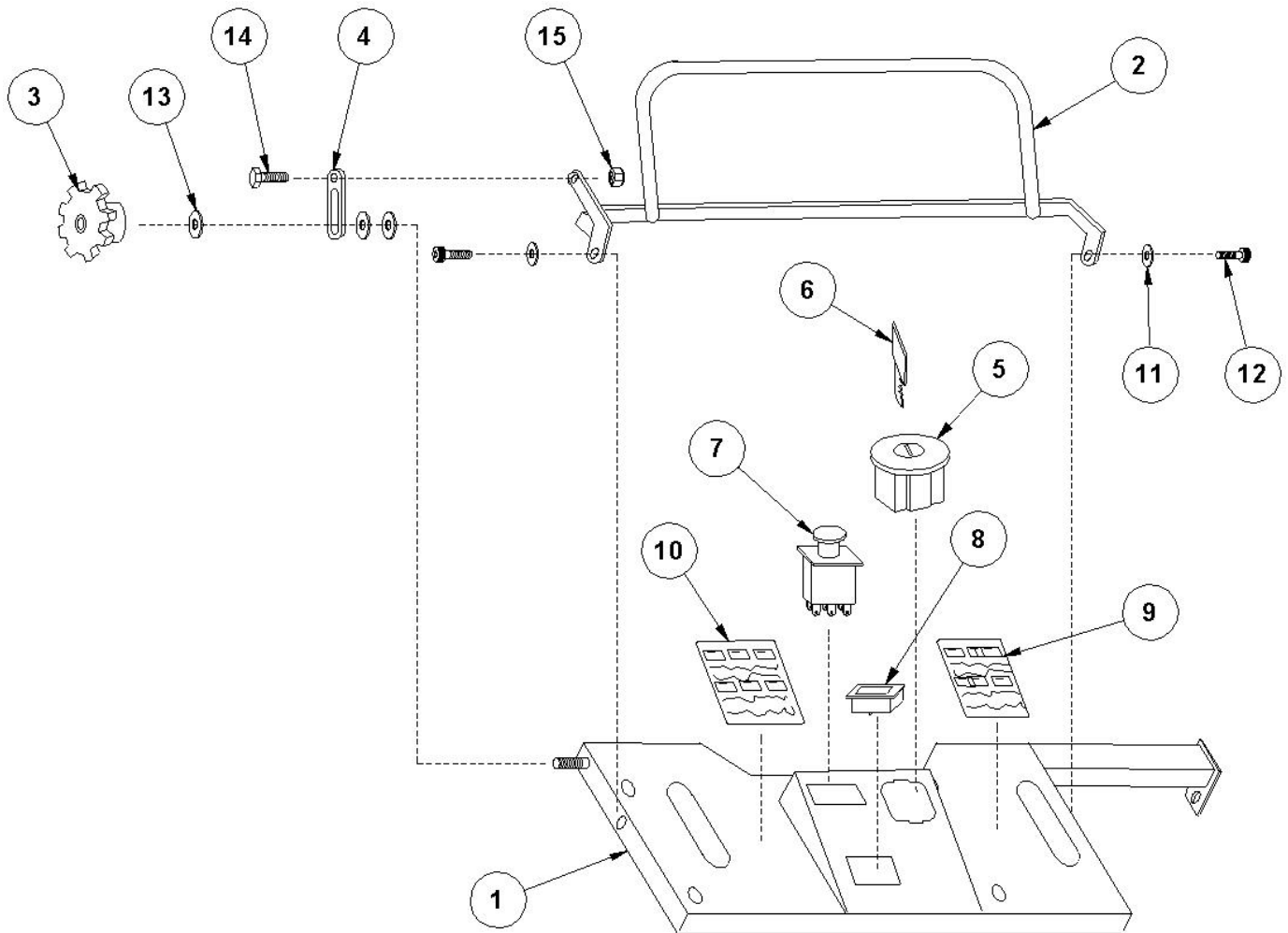
**NOTE:** Part numbers listed are available through DR Power Equipment.

<b>Ref#</b>	<b>Part#</b>	<b>Description</b>
01	241201	Control Panel W/Console
02	159180	Speed Bar Assembly
03	209071	Knob, Speed Control
04	225181	Plate, Slide, Speed Control
05	165191	Switch, Ignition
06	157201	Key, Ignition Switch
07	241211	Switch, Blade Engage
08	156251	Hour Meter w/Bezel
09	241311	Decal, Caution, Control Panel
10	228731	Decal, Control Panel
11	161910	Washer, Flat, 1/4"
12	228091	Screw, Cap, 1/4"-20 x 3/4"
13	227961	Washer, Flat, 5/16"
14	227811	Bolt, 5/16"-18 x 1" HCS
15	227911	Nut, Nylock, 5/16"-18

### **Not Illustrated**

241301	Wire Harness w/OPC
225081	Decal, Control Arm

# Schematic - Control Panel Assembly



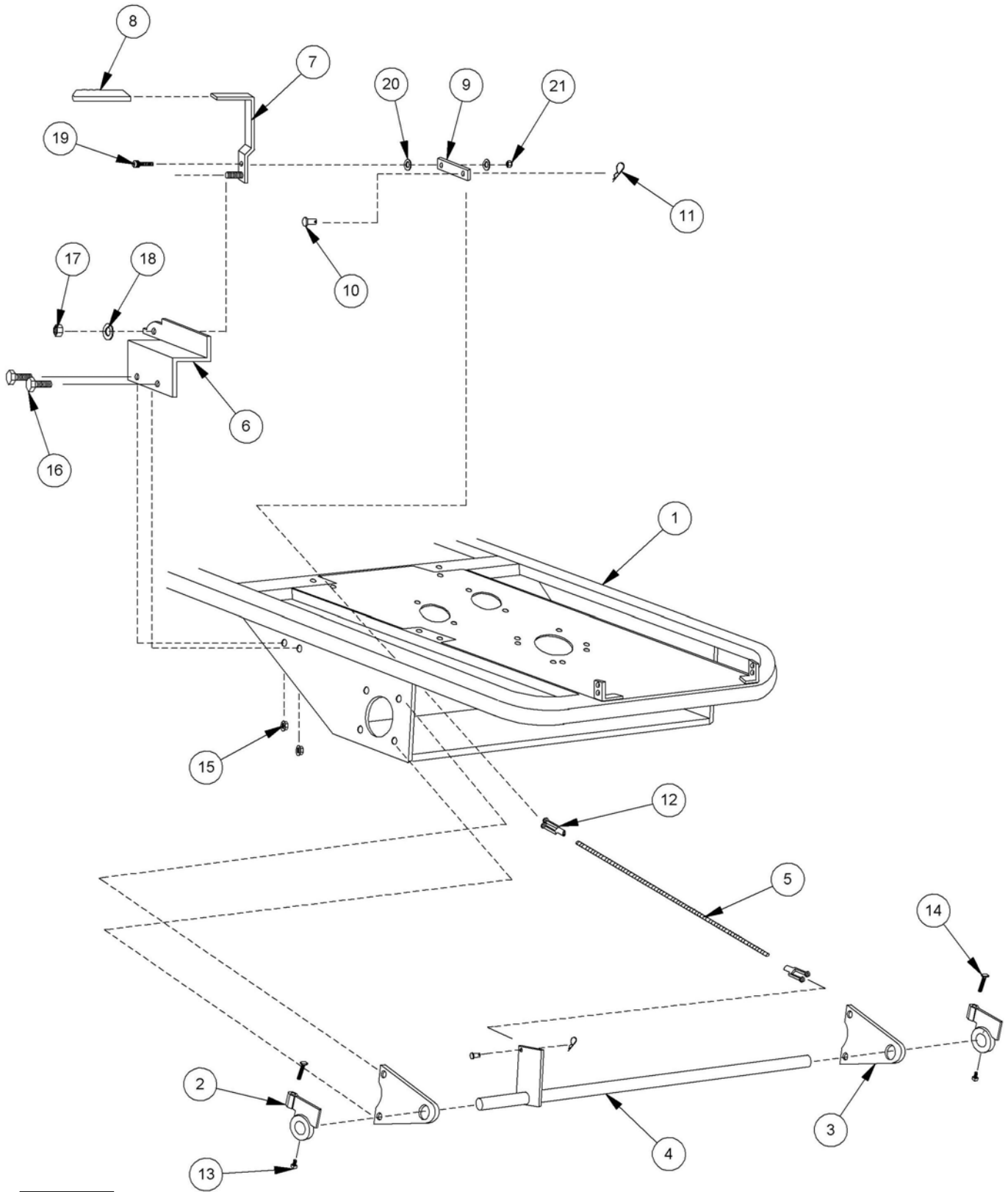
080210

## Parts List - Parking Brake Assembly

**NOTE:** Part numbers listed are available through Country Home Products, Inc.

Ref#	Part#	Description
01	241131	Frame
02	226441	Crossflag Assembly
03	226431	Plate, Brake
04	226421	Brake Rod Assembly
05	226191	Rod, Push, Brake
06	226461	Plate, Handle, Brake
07	226451	Handle, Brake, Drum Brakes
08	158520	Grip, Throttle/Brake
09	226201	Link, Brake
10	226281	Pin, Clevis 1/4" x 3/4"
11	226291	Clip, Hitch # 2
12	226211	Yoke, Brake
13	228331	Screw, Set, Square Head, 5/16"-18 x 1/2"
14	227821	Bolt, 5/16"-18 x 1-1/4" HCS
15	228241	Nut, Wiz Lock, 3/8"
16	228281	Bolt, 3/8"-18 x 1" HCS
17	227921	Nut, Nylock, 3/8"
18	227971	Washer, Flat, 3/8"
19	228201	Screw, Cap, 1/4"-20 x 1"
20	161910	Washer, Flat, 1/4"
21	227901	Nut, Nylock 1/4"

# Schematic - Parking Brake Assembly



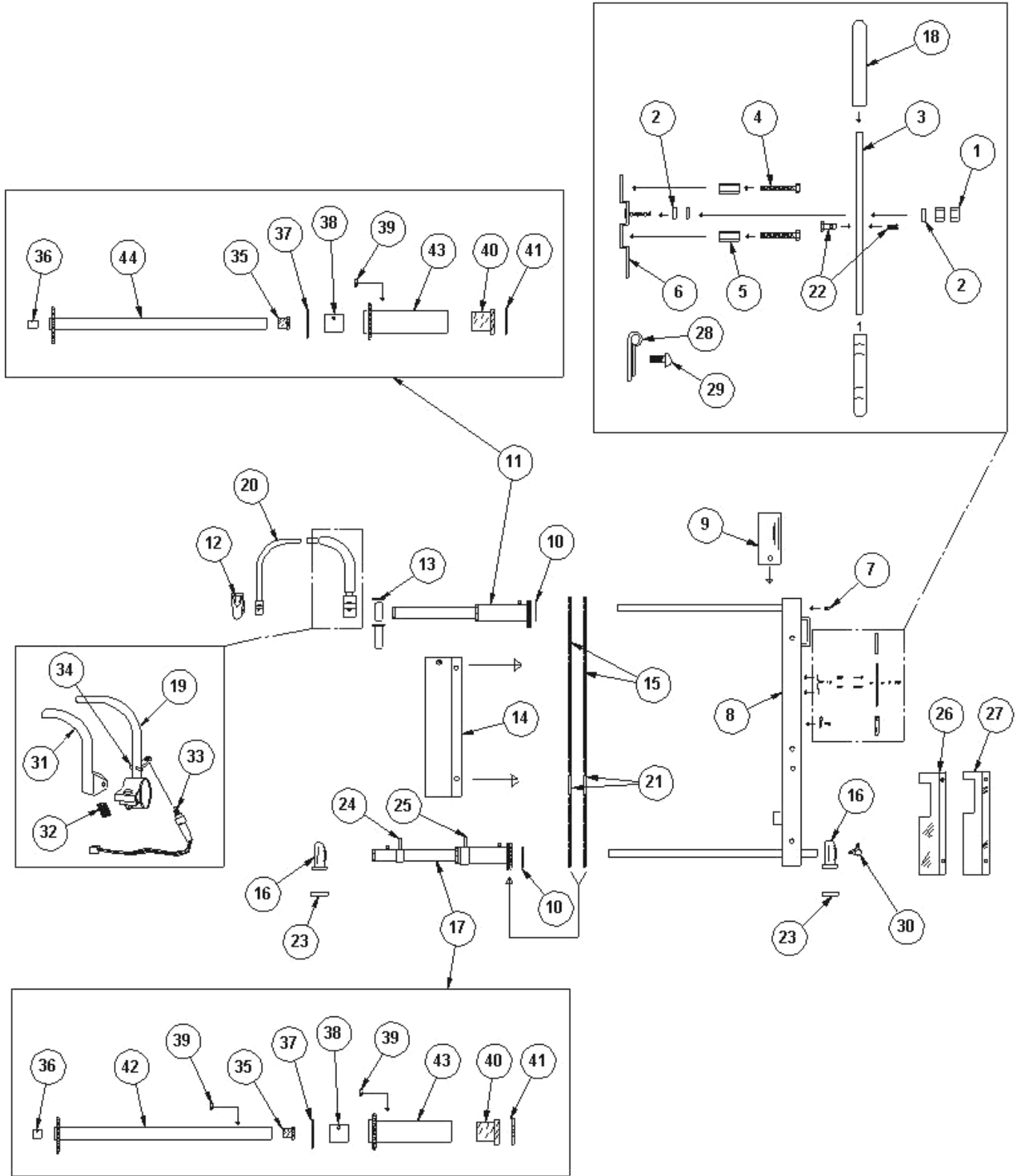
070110

## Parts List - Control Arm Assembly

**NOTE:** Part numbers listed are available through DR Power Equipment.

<u>Ref#</u>	<u>Part#</u>	<u>Description</u>	<u>Ref#</u>	<u>Part#</u>	<u>Description</u>
01	227901	Nut, Nylock, 1/4"-20	36	225281	Bearing, Needle, 1" ID
02	228231	Washer, Plastic, 1/4"	37	228121	Bushing, Machine, 1-1/2" ID, 18 Ga.
03	227551	Handle, Throttle	38	225291	Bearing, Needle, 1-1/2" ID
04	227791	Bolt, 1/4"-20 x 1-1/2" HCS	39	226051	Fitting, Grease, Drive, 5/16"
05	227771	Spacer, 1/4" ID	40	225271	Bushing, Bronze, 1-1/2" ID
06	227561	Mount, Throttle Cable	41	228181	Ring, Snap, 1-1/2"
07	228211	Fitting, Pipe, Straight, 1/8"	42	227541	Tube, Lower, Inner
08	226371	Control Arm Assembly	43	227581	Tube, Upper/Lower, Outer
09	208991	Bracket, Control Shield End	44	227571	Tube, Upper, Inner
10	228111	Bushing, Machine, 1" ID, 18 Gauge			
11	199131	Upper Concentric Assembly			
12	225251	Bearing, Control Head			
13	226111	Block, Concentric Pillow			
14	226381	Shield, Control Arm			
15	225301	Chain, 69"			
16	225241	Bearing, Main Arm Pivot			
17	199141	Lower Concentric Assembly			
18	158520	Grip, Throttle/Brake			
19	241261	Handle, Control, Right			
20	158621	Handle, Control, Left			
21	200661	Turnbuckle			
22	226101	Swivel, Throttle Wire			
23	226581	Spacer, Pillow Block			
24	226561	Clamp, Small			
25	226571	Clamp, Large			
26	226351	Guard, Chain, Ride Mode, LH			
27	226361	Guard, Chain, Walk Mode, RH			
28	227891	Clamp, Throttle Cable			
29	227871	Screw, Truss, 1/4" x 1/2"			
30	228221	Grease Fitting, 1/8"-90° Pipe			
31	235141	Lever, Operator Presence			
32	241231	Spring, OPC Lever			
33	241241	Switch w/Leads and Boot			
34	241221	Pin, Spring, 3/16" x 1"			
35	225261	Bushing, Bronze, 1" ID			

# Schematic - Control Arm Assembly



080211

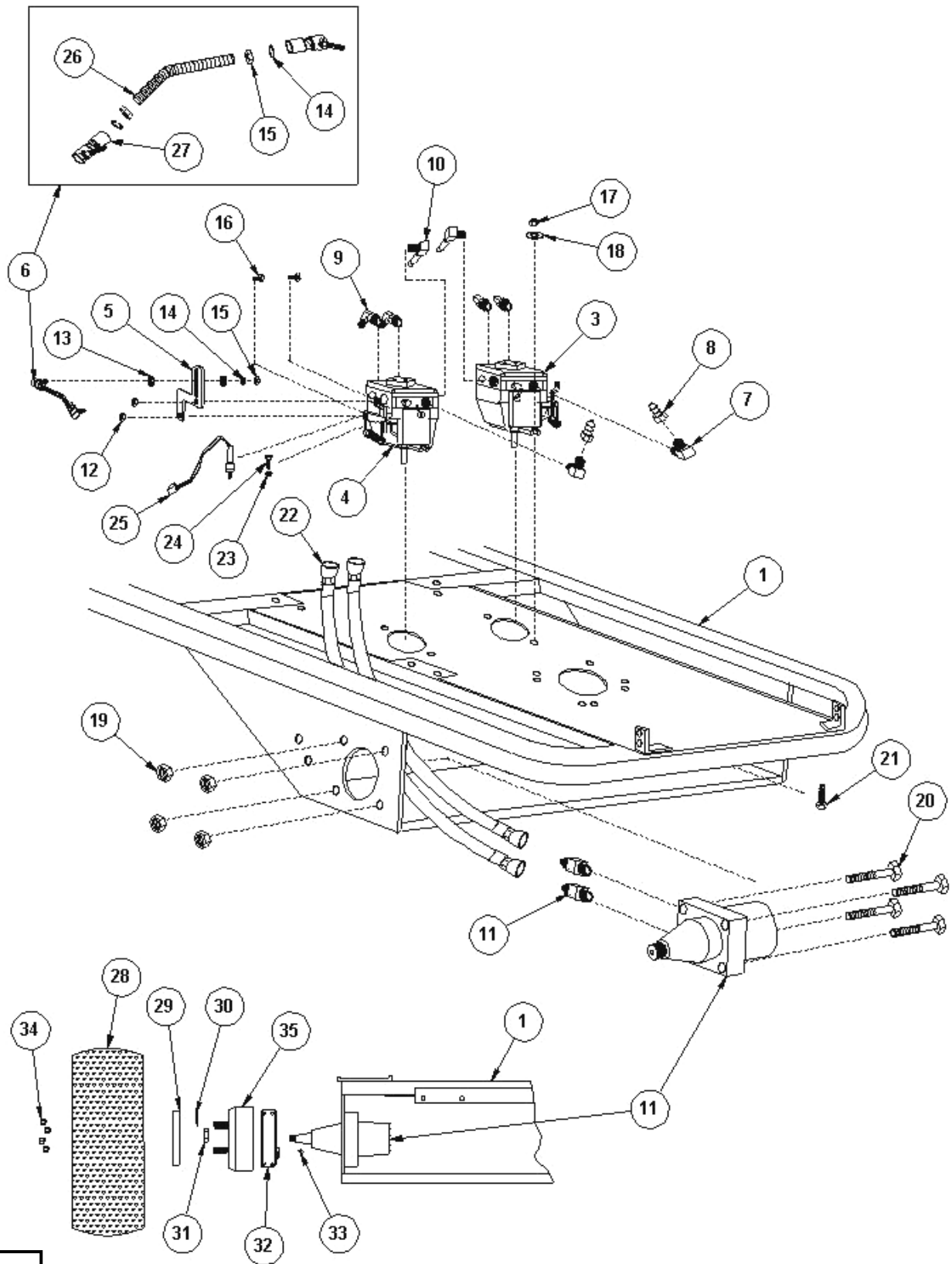


## Parts List - Wheel Drive Assembly

**NOTE:** Part numbers listed are available through DR Power Equipment.

Ref#	Part#	Description	Ref#	Part#	Description
01	241131	Frame	20	228341	Bolt, 1/2"-13 x 3" HCS
02	210701	Motor, Wheel	21	227841	Bolt, 3/8"-16 x 1-1/4" HCS
03	228381	Pump, Right Hand	22	226221	High Pressure Line
04	228391	Pump, Left Hand	23	241291	Nut, Jam, 1/4"-20
05	225161	Linkage, Pump	24	161920	Bolt, 1/4"-20 x 3/4" HCS
06	184200	Steering Linkage Assembly	25	241251	Switch w/Leads and Boot
07	226141	Fitting, 90 Degree, BDP	26	226061	Rod, Steering Linkage
08	203981	Fitting, Push On, Hydro	27	225221	Joint, Ball, Steering
09	226131	Fitting, Pump, 90 Degree	28	217281	Rear Wheel & Tire, 23" x 8.5" x 12" (19.5 HP)
10	203951	Fitting, Filter, 90°		226081	Rear Wheel & Tire, 23" x 10.5" x 12" (22 HP)
11	226331	Fitting, Straight, Wheel Motor			
12	227911	Nut, Nylock, 5/16"-18	29	210731	Spacer, Wheel Motor
13	161910	Washer, Flat, 1/4"	30	226261	Pin, Cotter
14	228001	Washer, Split, 5/16"	31	226301	Nut, Wheel Motor
15	228071	Nut, Hex, 5/16"-24	32	210711	Brake, Drum
16	227801	Bolt, 5/16"-18 x 3/4" HCS	33	226311	Key, Woodruff
17	227921	Nut, Nylock, 3/8"-16	34	158271	Nut, Lug
18	227971	Washer, Flat, 3/8"	35	210721	Drum, Wheel Motor
19	227931	Nut, Nylock, 1/2"-13			

# Schematic - Wheel Drive Assembly



080211

## **Parts List - Hydro Tank Assembly**

*NOTE: Part numbers listed are available through DR Power Equipment.*

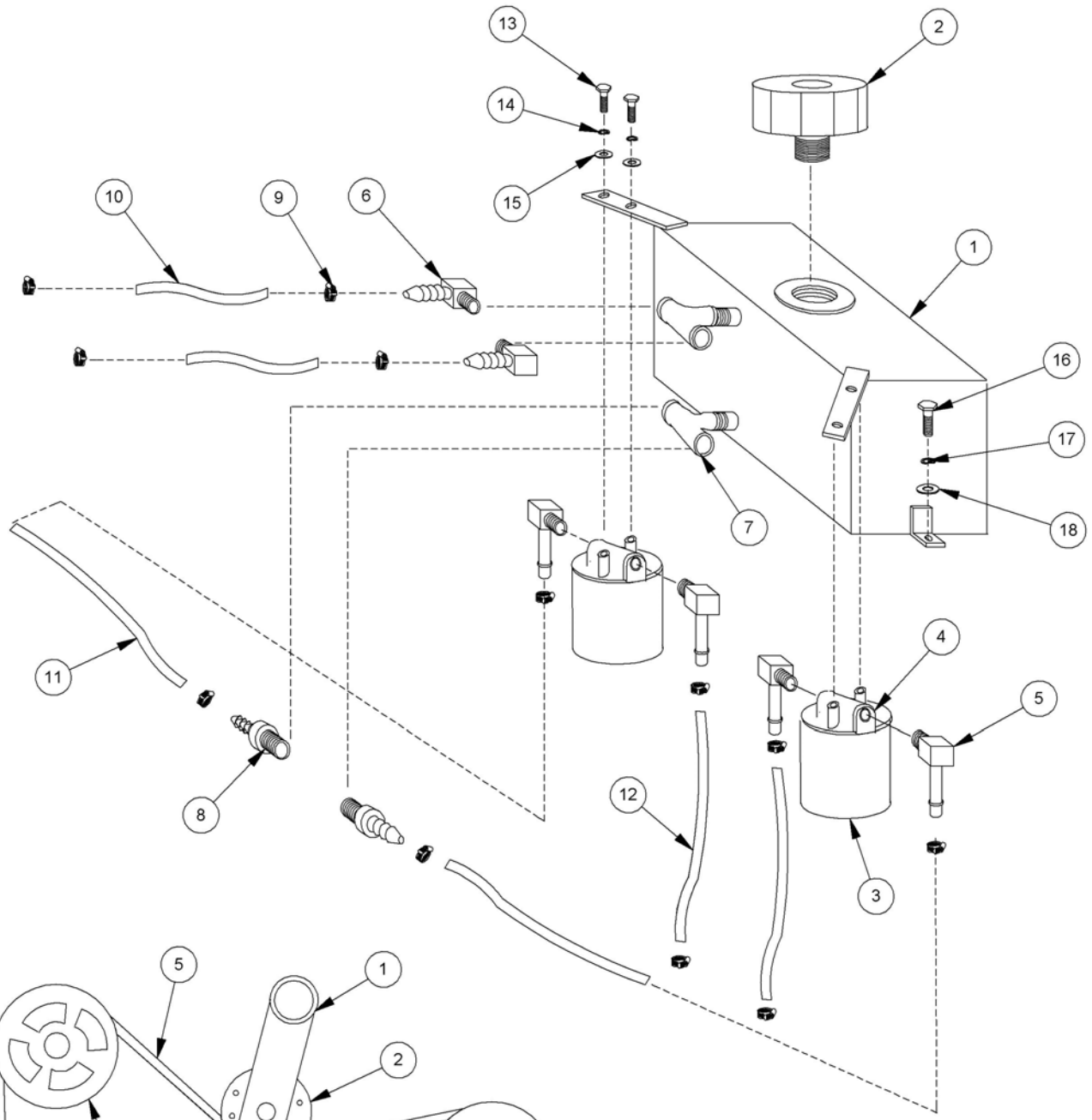
<b>Ref#</b>	<b>Part#</b>	<b>Description</b>
01	226401	Tank, Hydro, Metal
02	200651	Cap, Hydro Tank, Metal Tank
03	166141	Filter, Hydro
04	225311	Housing, Hydro Filter
05	203951	Fitting, Filter, 90 Degree
06	226151	Fitting, 90 Degree, Hydro Tank
07	226271	Tee, Pipe, 3/8"
08	226161	Fitting, Straight, Hydro Tank
09	227881	Clamp, Hose, 3/8"
10	226251	Hose, Tank to Pump, 5-1/2"
11	226231	Hose, Tank to Filter, 12"
12	226241	Hose, Filter to Pump, 18"
13	228401	Bolt, 1/4"-20 x 3/4" HCS
14	161900	Washer, Split, 1/4"
15	161910	Washer, Flat, 1/4"
16	227811	Bolt, 5/16"-18 x 1" HCS
17	228001	Washer, Split, 5/16"
18	227961	Washer, Flat, 5/16"

## **Parts List - Hydro Belt Configuration**

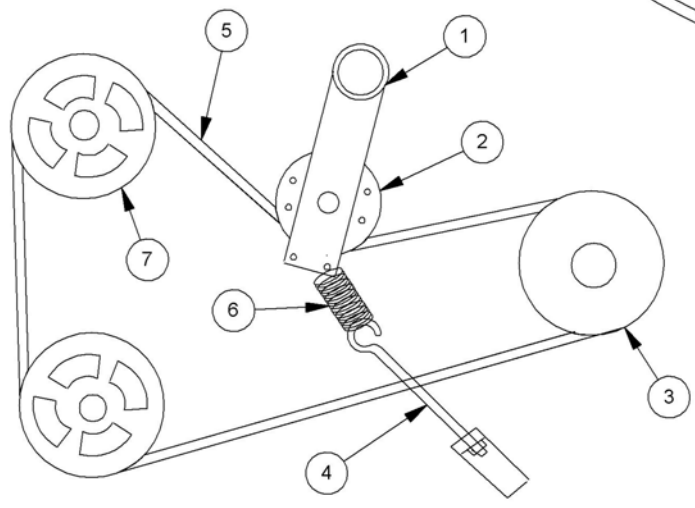
*NOTE: Part numbers listed are available through DR Power Equipment.*

<b>Ref#</b>	<b>Part#</b>	<b>Description</b>
01	226631	Idler Assembly
02	202061	Pulley, Idler, Deck
03	202071	Pulley, Engine Drive
04	167270	Bolt, Eye, 5/16"-18 x 3-1/2"
05	209211	Belt, Hydro
06	167261	Spring, Mule Drive
07	202081	Pulley, Hydro Drive

# Schematics - Hydro Tank Assembly and Hydro Belt Configuration



**Hydro Tank Assembly**



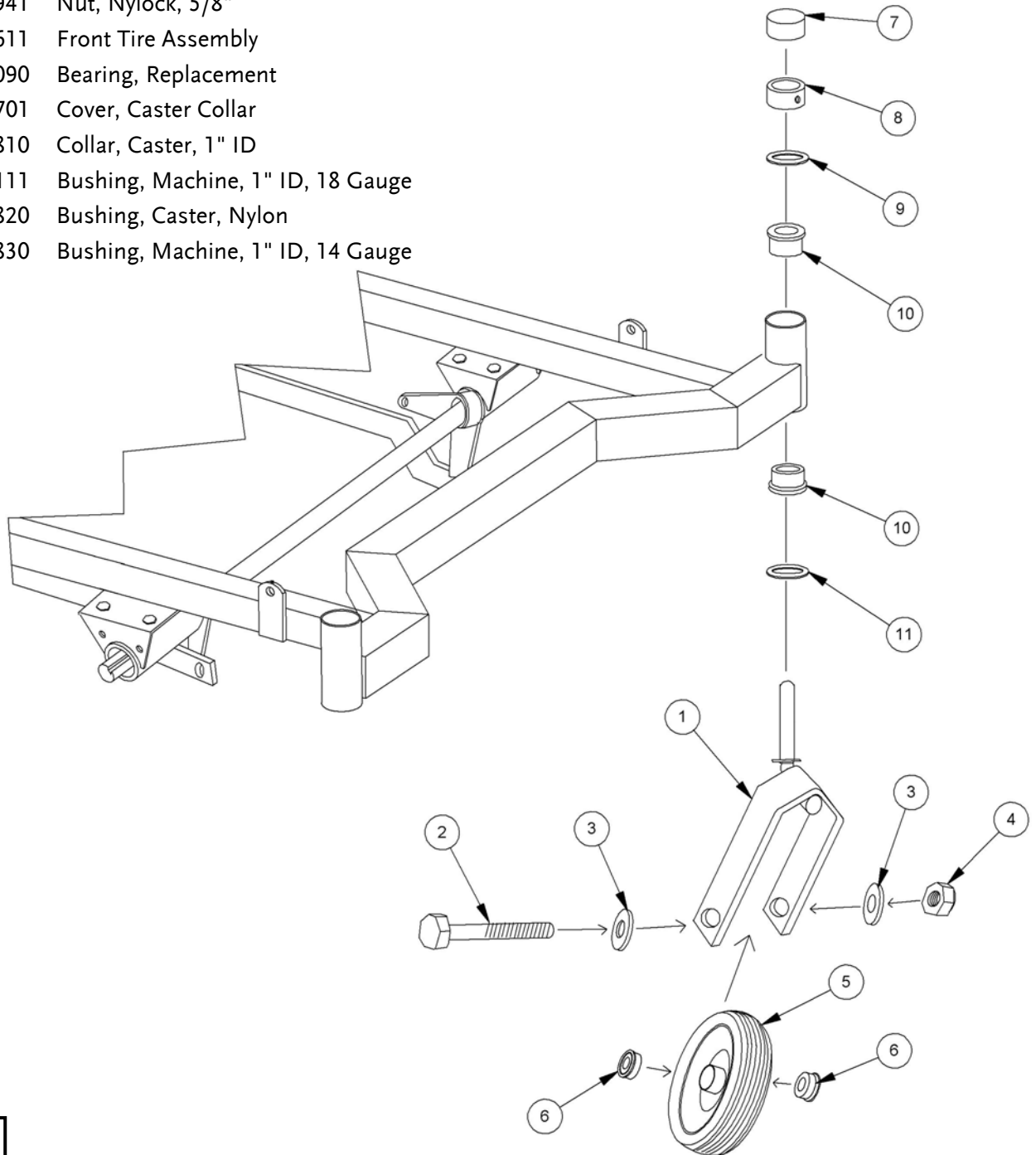
**Hydro Belt Configuration**

070110

## Parts List and Schematic - Front Caster Assembly

**NOTE:** Part numbers listed are available through DR Power Equipment.

Ref#	Part#	Description
01	226641	Yoke, Caster, Black
02	226031	Bolt, Caster
03	227991	Washer, Flat, 5/8"
04	227941	Nut, Nylock, 5/8"
05	159611	Front Tire Assembly
06	208090	Bearing, Replacement
07	156701	Cover, Caster Collar
08	167810	Collar, Caster, 1" ID
09	228111	Bushing, Machine, 1" ID, 18 Gauge
10	167820	Bushing, Caster, Nylon
11	167830	Bushing, Machine, 1" ID, 14 Gauge



070110