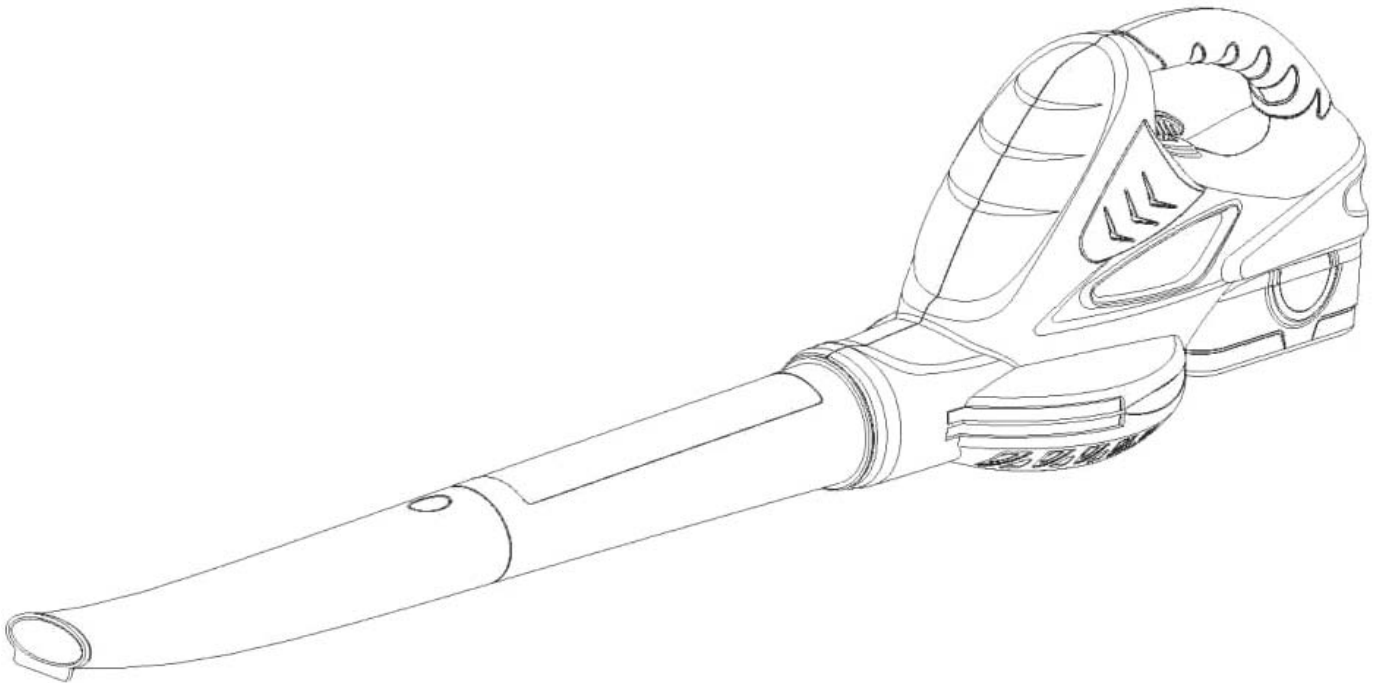




Battery-Powered Blower

Safety & Operating Instructions



NEUTON® Power Equipment

75 Meigs Road
P.O. Box 25
Vergennes, VT 05491

Toll-Free phone: **1-866-NEUTON1 (638-8661)**

Fax: 1-802-877-1213

Website: www.neutonpower.com

E-MAIL: INFO@NEUTONPOWER.COM



WARNING!

Read and understand this manual and all instructions before operating this Blower.

Table of Contents

Chapter 1: Important Safety Considerations.....	2
Chapter 2: Setting Up Your NEUTON Battery-Powered Blower	4
Chapter 3: Operating Your NEUTON Battery-Powered Blower	6
Chapter 4: Troubleshooting Your NEUTON Battery-Powered Blower	6
Chapter 5: Parts List, Schematic Diagram, and Warranty	7

Conventions used in this Manual

! WARNING!

This indicates a hazardous situation, which, if not avoided, *could result in death or serious injury.*

! CAUTION!

This indicates a hazardous situation, which, if not avoided, *could result in minor or moderate injury.*

! NOTICE!

This information is important in the proper use of your tool. Failure to follow this instruction could result in damage to your tool or property.

TIP This is a helpful hint to guide you in getting the most out of your NEUTON Battery-Powered Blower.

NOTE: This information may be helpful to you in using your Blower.

Neuton Inc. reserves the right to discontinue, change, and improve its products at any time without notice or obligation to the purchaser. The descriptions and specifications contained in this manual were in effect at printing. Equipment described within this manual may be optional. Some illustrations may not be applicable to your equipment.

NEUTON Battery-Powered Blower Product Specifications

Motor	
Input	18V DC
Controls	
ON/OFF	One (1) Paddle Flip Switch
Handle	Rubber Molded over the Handle
Blower Housing	
Material	Injected Polypropylene
Blower Tube Assembly	21 inches
Weight	4.8 lbs. (including Battery)
Blowing	
Air Speed	140 MPH
Battery Pack	
Voltage	18V DC, 1.7 AH
Battery Pack Charger	Included with Blower. 18V Charger, plugs into standard electrical outlet
Charge Time	5-6 Hours to recharge
Replacement	Easy to snap-in and out of Blower housing

Chapter 1: Important Safety Considerations

We want you to enjoy years of safe and productive use from your NEUTON Battery-Powered Blower. We do not want you injured, so please take a few moments to read the following instructions for safely operating your new Tool.

Take a moment to study the following labels and make a note of their location as you assemble and *before* you operate the Blower. Replace damaged or missing safety and information labels immediately.



Battery Charger WARNING Label



WARNING Label on side of Blower



Battery Pack WARNING Label

Protecting Yourself and Those around You

WARNING!

This blowing tool is capable of throwing debris and objects. Failure to observe the following safety instructions could result in serious injury or death.

- Tragic accidents can occur if the operator is not alert to the presence of children. Children are often attracted to the Blower and the activity of blowing. Never assume that children will remain where you last saw them.
- Be sure the area is clear of other people before blowing. Never allow bystanders, or pets in your work area when operating the Blower. Stop the tool if anyone enters the area. Keep bystanders at least 20 feet away from the work area.
- Only allow responsible individuals who have a thorough understanding of these instructions to operate the Blower. Never allow children to operate the tool.
- Use extra care when approaching blind corners, shrubs, trees, or other objects that may obscure your vision.
- If you are ever unsure about an action you are about to take, please do not do it.

Dressing Appropriately

WARNING!

- Always wear protective goggles or safety glasses with side shields that are marked to comply with ANSI Z87.1 standard when using your NEUTON Battery-Powered Blower to protect your eyes from possible thrown objects.
- Use a face or dust mask when operating in dusty conditions. Some dust created by blowing contains chemicals known to the State of California to cause cancer, birth defects, or other reproductive harm. Some examples of these chemicals are: Compounds in fertilizers, insecticides, herbicides, and pesticides, also arsenic and chromium from chemically treated lumber. To reduce your exposure to these chemicals, wear approved safety equipment such as dust masks specially designed to filter out microscopic particles.
- We recommend the use of ear protectors or earplugs rated for at least 20 DBA to protect your hearing.
- Wear shoes with non-slip treads when using the Blower. If you have safety shoes, wear them. Do not use the Blower while barefoot or wearing sandals with exposed toes or heels.
- Wear protective hair covering to contain long hair and avoid wearing loose clothing or jewelry, which can catch on the Blower's moving parts.
- We recommend wearing long pants and rubber gloves while using this tool. Be sure the gloves fit properly and do not have loose cuffs or drawstrings.

Preparing to Use Your Blower

WARNING!

- Read, understand, and follow all instructions on the Blower and in the manual. Be thoroughly familiar with the control and the proper use of the Blower before starting.
- Thoroughly inspect the area where you will be using the Blower, and remove all stones, lawn toys, wire, bones, sticks, pet supplies, and any other foreign objects which could be thrown by the Blower.

Operating Your Blower Safely

WARNING!

- Do not use your NEUTON Battery-Powered Blower for any job other than the intended use. Never try to use an attachment not made specifically for the Blower.
- Avoid unintentional starting - don't carry the NEUTON Battery-Powered Blower with your finger on the ON/OFF Switch.
- Do not put any part of your body in the Blower air intake opening or Blower Tube exhaust opening.
- Never attempt to move rocks or sharp materials while operating the Blower unit.
- Remove the Battery Pack when inspecting or cleaning the Blower.
- Remove the Battery Pack when clearing any material from the Blower Air Inlet.
- Do not operate the Blower in gaseous or explosive atmospheres. Motors in these tools normally spark, and the sparks might ignite fumes.
- Never operate the Blower in the rain.
- Never over reach and keep proper footing and balance at all times.
- Operate only in daylight or in an area well lit by artificial light.
- Watch out for traffic when operating near roadways.
- Stay alert and watch what you are doing. Do not operate the Blower when you are tired or under the influence of medication, drugs, or alcohol.

CAUTION!

- If the Blower vibrates abnormally, stop the motor, remove the Battery Pack, and inspect the tool for any damage. Check for alignment of moving parts, binding of moving parts, breakage of parts, mounting and any other condition that may affect its operation. Repair the damage before restarting and operating the Blower. **Note:** *Excessive vibration is generally a sign of trouble.*
- Do not operate the Blower if it does not start normally or stop normally with the ON/OFF Switch.

Handling the Battery Pack Safely

WARNING!

- Always charge the Battery Pack indoors, never charge it the rain or in wet conditions.
- Use only the Charger provided to charge the Battery Pack. Use of a different Charger may cause a fire or explosion.
- Never attempt to alter or open the Battery Pack or Charger. There are no customer serviceable parts inside. Use normal household voltage (110 volts) when charging the Battery Pack. Plug the Charger Power Supply directly into the electrical outlet.
- Exercise care in handling the Battery Pack in order not to short-circuit it with conducting materials such as rings, bracelets, and keys. When short-circuited, the Battery Pack or conductor may overheat and cause burns.
- Never dispose of the Battery Pack in a fire, as the Battery Pack may explode. Never open or mutilate the Battery Pack; released electrolyte is corrosive and will cause damage to eyes, skin, or clothes. Battery Pack electrolyte is toxic if swallowed or if you inhale the fumes.
- A small leakage of liquid from the Battery Pack may occur under extreme usage, charging, or temperature conditions. This does not indicate a failure. However, if the outer seal is broken and this leakage gets on your skin, wash quickly with soap and water and neutralize with a mild acid such as lemon juice or vinegar. If the Battery Pack liquid gets in your eyes, flush them with clean water for a minimum of 10 minutes and seek immediate medical attention.
- Please dispose of your used Battery Packs responsibly by recycling them, never throw away used Battery Packs in your household trash. Call your local Solid Waste Management District or your local waste handler to locate the collection site nearest you. Some collection sites recycle Battery Packs year-round; others collect them periodically.

You can also visit the Web site of Earth 911 for more information [www.earth911.org]. Once there, click the Municipal HHW link under Hazardous Household Waste, and enter your zip code. The site lists recycling centers located near you. You can also visit our website www.neutonpower.com and click on "Customer Service" to find distribution centers across the country that will accept your Battery Pack for 100% recycling of the plastic, nickel and cadmium.

To learn more about hazardous waste recycling, visit the Web site for the Environmental Protection Agency [www.epa.gov].

No list of Warnings and Cautions can be all-inclusive. If situations occur not covered by this manual, the operator must apply common sense and operate the NEUTON Battery-Powered Blower in a safe manner. Visit our website at www.neutonpower.com or call Toll Free: **1-866-NEUTON1 (638-8661)** for assistance.

Chapter 2: Setting Up Your NEUTON Battery-Powered Blower

Carton Contents:

- NEUTON Battery-Powered Blower
- Front Blower Tube
- Rear Blower Tube
- Battery Pack and Charger
- *Safety and Operating Instructions*

Unpacking:

1. Carefully remove the Blower, Blower Tubes, Battery Pack, Charger, and the *Safety and Operating Instructions* from the Shipping Carton. Make sure that all items listed in the Carton Contents are included.
2. Inspect the product carefully to make sure no breakage or damage occurred during shipping. If you find damaged or missing parts, call Toll Free: **1-866-NEUTON1 (638-8661)** for assistance.

NOTE: *Do not discard the Shipping Carton and packaging material until you are fully satisfied with your new NEUTON Battery-Powered Blower.*

Assembling Your NEUTON Battery-Powered Blower:

Step 1: Read the *Safety & Operating Instructions* before proceeding.

The NEUTON Battery-Powered Blower is a motorized blowing tool. For your safety, and for best results, it is important to read the information in "Chapter 1: Important Safety Considerations" before you assemble or use this Blower.

To familiarize yourself with the assembly, features, and operation of your Blower, please read the remainder of this manual before proceeding.

Step 2: Attach the Blower Tubes.

1. Orient the Front Blower Tube as shown in **Figure 1** and align the Snap Lock Hole in the Front Tube with the Snap Lock Button in the smaller end of the Rear Blower Tube. Slide them together until the Snap Lock Button on the Rear Tube snaps into the Snap Lock Hole in the Front Tube.
2. Line up the Snap Lock Hole in the end of the Rear Blower Tube with the Snap Lock Button in the Air Outlet of the Motor Housing (**Figure 1**). Push the Rear Tube onto the Air Outlet of the Motor Housing until the Snap Lock Button engages the Snap Lock Hole in the Rear Tube.

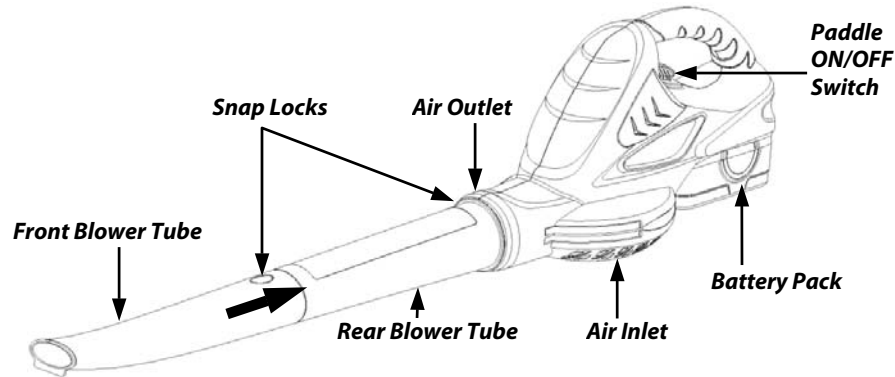


Figure 1

Step 3: Charge the Battery Pack before your first use.

The NEUTON Battery-Powered Blower comes with a sealed, Nickel-Cadmium Battery Pack. The Battery Pack is 18 volts and rated at 1.7 amp-hours. The Battery Pack should not leak, regardless of the position in which it is stored. Read "Handling the Battery Safely" in Chapter 1 for additional information. The Battery Pack is completely maintenance free. You never need to add water. With all rechargeable Batteries, after years of use, they will eventually need replacement.

You MUST charge the Battery Pack for at least five (5) to six (6) hours before you use the Blower for the first time. If you do not charge it before using the Blower, the Battery Pack's charging capacity may decrease.

! NOTICE!

- Make sure the Charger Power Supply is plugged into a normal household voltage, 120volts, 60Hz, AC only.
- You should operate the Battery Charger in a dry place with temperatures between 40°F (5°C) and +95°F (+35°C).
- Disconnect Charger Power Supply from the household voltage power when not in use to prevent damage to the Charger during a power surge.
- Periodically inspect the Cord on the Charger unit for damage. If damage occurs, do not use the Charger until you have replaced or repaired the Cord. Do not abuse the Cord. Never carry the Charger by the Cord. Always pull the plug – and not the Cord – when disconnecting the Power Supply from the electrical outlet (wall outlet) and from the Charger. When using an extension Cord with your Charger, use a heavy-duty extension Cord.
- It may take up to five (5) charging and discharging cycles before your Battery Pack provides maximum life.
- A Battery Pack may last much longer if you charge it as soon as it starts to lose power and not let it completely discharge. Recharge the Battery Pack as soon as the blowing power of your NEUTON Battery-Powered Blower is no longer effective. This would be a good time to have a spare Battery Pack ready to go. Recharge the Battery Pack for five (5) to six (6) hours and remove it from the Charger.
- A good time to consider purchasing a replacement Battery Pack is when the Battery Pack takes longer than six (6) hours to charge.

1. Plug the Charger Power Supply into a standard household electrical outlet (**Figure 2** on page 6).
2. Place Battery Pack in the Charger (**Figure 2** on page 6). The Battery Pack and Charger have keyways so they will fit together only one way. When properly connected, the RED Charger Indicator Light (LED) will glow (**Figure 2** on page 6).

NOTE: The Charger Indicator Light will glow RED continuously while charging. When fully charged the LED light will glow GREEN.

! CAUTION!

Before installing the Battery Pack, make sure the paddle ON/OFF Switch (**Figure 3** on page 6) is in the OFF position (flipped to the left side)

1. Install the Charged Battery Pack in your NEUTON Battery-Powered Blower by aligning the connector on the Battery Pack with the receptacle at the rear of the Blower and insert the Battery Pack (**Figure 3** on page 6) until the Latches on each side of the Battery Pack snap into place; assuring a secure connection to the Blower. Again, the Battery Pack and Blower Housing have keyways so they will fit together only one way.
2. To remove the Battery Pack, simply press both Latches on sides of the Battery Pack to release the Battery Pack from the NEUTON Battery-Powered Blower Housing (**Figure 3** on page 6) and pull the Battery Pack straight down.

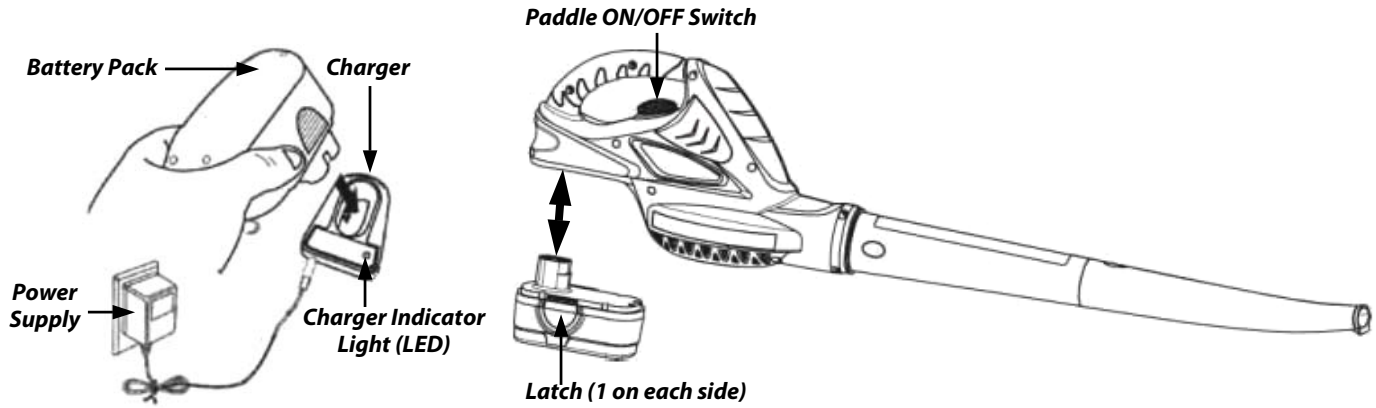


Figure 2

Figure 3

Chapter 3: Operating Your NEUTON Battery-Powered Blower

Starting the Blower

! NOTICE!

- Starting, stopping, and restarting an electric Motor repeatedly within a few seconds can generate a great deal of heat and damage the Motor. To protect the life of your NEUTON Battery-Powered Blower, always wait at least five (5) seconds after stopping before restarting the Blower.
- Avoid collisions with hard objects, which could damage the Blower Tube.

1. Perform the Daily Checks listed on the back cover of this manual.
2. While firmly grasping the Handle, push the paddle ON/OFF Switch Button to the ON position (right side). If the Blower does not start, make sure the Battery Pack is charged and locked firmly into place in the Blower Housing.

Using the Blower

! WARNING!

Be careful where you point the jet of air from the Blower as it could move heavy material and cause injury or damage.

Use your NEUTON Battery-Powered Blower to clean out corners, fences, and walls, beneath cars or wooded areas.

Flip the paddle ON/OFF Switch to the ON position (right side), point the jet of air in front of you and move forward slowly to gather together the material or to move the material from inaccessible areas.

Tip: Swing the Blower Nozzle from side to side and circle the material you want to move.

Stopping Blower

Simply flip the paddle ON/OFF Switch to the OFF position (left side).

Chapter 4: Troubleshooting Your NEUTON Battery-Powered Blower

Troubleshooting Tips

Most difficulties are easy to fix. Consult the Troubleshooting Table on page 7 for common problems and their solutions. If you continue to experience problems or need repairs beyond these minor adjustments, visit our website at www.neutonpower.com or call Neuton Inc. Toll Free at: **1-866-NEUTON1 (638-8661)** for assistance.

! WARNING!

Always remove the Battery Pack before performing any adjustments, maintenance, or repairs to your Blower.

Troubleshooting Table

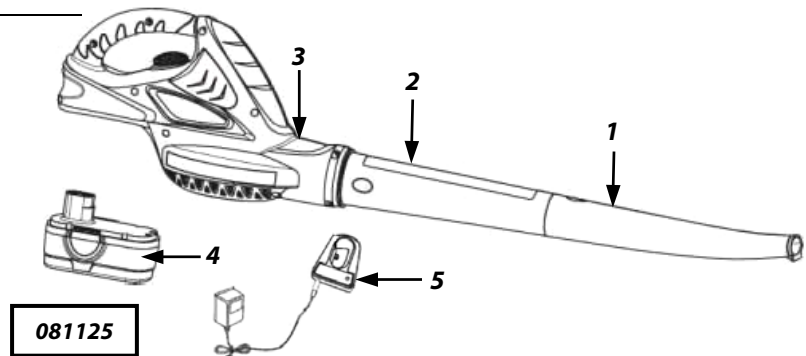
PROBLEM	CORRECTIVE ACTION
The Blower Motor fails to start.	⇒ Check that you installed the Battery Pack correctly and that the Battery Pack is fully charged.
The Battery Pack will not charge.	⇒ You did not insert the Battery Pack all the way into the Charger. Insert the Battery Pack until the Red LED Light illuminates. ⇒ The Charger Power Supply is not in a working outlet. Check the outlet with a lamp or other appliance. ⇒ Check to see if the outlet that you are using for the Charger Power Supply is controlled from a wall switch. ⇒ The surrounding air temperature is too hot or too cold. Move Charger and Battery Pack to a location where the surrounding air temperature is between 40°F (5°C) and +95°F (+35°C).
The Blower runs, but the air speed is low.	⇒ The Battery Pack was probably not at full charge prior to blowing. Charge the Battery Pack, if necessary. ⇒ A plugged air intake port, clean it out.
The Battery loses its charge quickly.	⇒ The Battery Pack was probably not at full charge prior to blowing. Charge the Battery Pack, if necessary. NOTE: You will need to charge a new Battery Pack at least five (5) times to achieve maximum blowing time. ⇒ The Battery Pack may be getting old. After some time, you will need to replace the Battery Pack.

Chapter 5: Parts List, Schematic Diagram, and Warranty

Parts List & Schematic Diagram NEUTON Battery-Powered Blower

NOTE: Part numbers listed are available through Neuton Inc.

Ref#	Part#	Description
1	262041	Front Blower Tube
2	262031	Rear Blower Tube
3	262021	Blower Motor Housing Assembly
4	262001	Battery Pack
5	262011	Battery Pack Charger



1-Year Limited Warranty Terms and Conditions

The NEUTON® Battery-Powered Blower has a warranty for one (1) year against defects in materials or workmanship when put to personal residential household use.

For the purposes of the warranty, "personal residential household use" refers to non-commercial residential use and further excludes misuse, accidents, or damage due to inadequate maintenance.

Neuton Inc. certifies that the NEUTON® Battery-Powered Blower is fit for ordinary purposes for which a product of this type is used. Neuton Inc. however, limits the implied warranties of merchantability and fitness in duration to a period of one (1) year in personal residential household use.

The 1-Year Limited Warranty on the NEUTON® Battery-Powered Blower starts on the date the tool shipped from our factory. The 1-Year Limited Warranty is applicable only to the original owner.

The owner is responsible for the performance of all the required maintenance as defined by the manufacturer's owner manual.

The owner is responsible for the replacement of normally wearing parts such as the Battery Pack and the Blower Tubes.

During the warranty period, the owner is responsible for all shipping and transportation charges, if required.

SOME STATES DO NOT ALLOW LIMITATIONS ON THE LENGTH OF IMPLIED WARRANTIES, SO THE ABOVE LIMITATIONS MAY NOT APPLY TO YOU. SOME STATES DO NOT ALLOW THE EXCLUSION OR LIMITATION OF INCIDENTAL OR CONSEQUENTIAL DAMAGES, SO THE ABOVE LIMITATIONS MAY NOT APPLY TO YOU.

Neuton Inc. shall not be liable under any circumstances for any **incidental or consequential damages or expenses** of any kind, including, but not limited to, cost of equipment rentals, or cost of hiring services to perform tasks normally performed by the NEUTON® Battery-Powered Blower.

THIS WARRANTY GIVES YOU SPECIFIC LEGAL RIGHTS, AND YOU HAVE OTHER RIGHTS, WHICH VARY FROM STATE TO STATE.

Daily Checklist, Cleaning and Storing for your NEUTON Battery-Powered Blower

To help maintain your NEUTON Blower for optimum performance, we recommend you follow this checklist each time you use your blower.

WARNING!

Do not insert the Battery Pack until you have completed all of the daily checks.

- [] **BATTERY PACK:** Make sure the Battery Pack has a full charge.
- [] **INSPECT:** Before inserting the Battery Pack, inspect for any visible damage to the Blower Tubes or Blower Motor Housing. Inspect the air intake and clean it to remove any debris.
Make sure the paddle ON/OFF Switch is in the OFF position (left side).
- [] **NOISES:** If you notice anything unusual, such as a vibration or odd sound, shut the Blower OFF immediately. Remove the Battery Pack and check the Blower for any obstructions.
If you cannot find the cause of the problem or are uncertain what to do, then have the Blower inspected by a qualified repair shop before using it or visit our website at www.neutonpower.com.

CAUTION!

- Remove the Battery Pack and allow the Blower to cool for at least five (5) minutes before servicing or storing.
- If you drop the Blower, carefully inspect it for damage. If the Blower Tube(s) is broken, Housing cracked, or Handle broken or if you see any other condition that may affect the Blower's operation, visit our website at www.neutonpower.com or call Neuton Inc. Toll Free at: **1-866-NEUTON1 (638-8661)** for assistance before putting it back into use.

Cleaning the Blower

Use only mild soap and a damp cloth to clean the Blower. Never let any liquid get inside the Blower Housing and NEVER immerse any part of the Blower Housing into a liquid.

Storing

- [] Always store the Blower with a full Battery Pack charge.
- [] Do not store the Blower near chemicals, such as fertilizers, organic or other solvents. Do not expose brake fluids, gasoline, petroleum-based products, penetrating oils, etc., to the plastic parts of the Blower. These products are often highly corrosive and may cause permanent damage, weaken, or destroy the plastic to your Blower.
- [] When not in use, your NEUTON Battery-Powered Blower should be stored indoors in a dry and high or locked-up place, out of reach of children.
- [] For superior Battery Pack performance, always store the Battery Pack in a **DRY** environment with temperatures between 40°F (5°C) and +95°F (+35°C). Make sure the storage temperatures will never be outside these limits. The lower the storage temperature is within the specified range, the better. The Battery Pack will discharge more slowly at low temperatures. Charge the Battery Pack for five (5) to six (6) hours prior to storage and then every one (1) to two (2) months; and then again prior to the first seasons use. To prevent permanent damage to the Battery Pack, never store it in a discharged condition. Be sure to remove the Battery Pack from the Charger after charging. Also, do not store the Battery Pack near children or pets or close to a source of heat, sparks, open flame or on the floor as it may be damp or subject to accidental flooding. In addition, never expose the Battery Pack to abnormal shaking or shocks. Regularly observe the external appearance of the Battery Pack. Never use a Battery Pack that shows cracks, changes shape, leaks, or is obviously damaged. You can safely keep the Battery Pack in the Blower when storing for the long term.

Copyrights and Trademarks

©2009 Neuton Inc.
NEUTON and NEUTON logo are trademarks of Neuton Inc.
All rights reserved.

Documentation

Produced in China exclusively for Neuton Inc.

Neuton Inc.

75 MEIGS ROAD, P.O. BOX 25, VERGENNES, VERMONT 05491