

DR[®] RAPIDFIRE™ LOG SPLITTER



Standard Table Kit# 37195

These instructions explain how to install the Table kit to better support the logs while splitting. Keep these instructions with your RapidFire Splitter Safety and Operating Instructions manual for reference.

Parts Supplied: (List below and Figure 1)

Item #	Part #	Description	Qty
1	36463	Tray, Rapidfire, Medium	1
2	36465	Cradle, Extension, Left	1
3	36466	Cradle, Extension, Right	1
4	36464	Bracket, Support, PP, Rapidfire	2
5	36467	Mount, Cradle, Extension	2
6	32104	Bolt, Carriage, 3/8-16 X 1", Gr5, ZP	14
7	33333	Nut, Nylon Lock, Flanged, 3/8-16	18
8	38482	Bolt, Carriage, 3/8-16 X 1.25", Gr5, ZP	4

Compare the contents of the Shipping Box with the "Parts Supplied" list above. If you have any questions please contact us at www.DRpower.com or call 1-800-DR-OWNER (376-9637) for assistance.

! WARNING

Before performing this kit installation, stop the engine, wait five minutes to allow all parts to cool. Disconnect the spark plug wire, keeping it away from the spark plug.

Note: If you have purchased this Table Kit as an aftermarket accessory, the Tube Cradles and Frame Stand must be removed from the Log Splitter before performing this Kit install. Refer to your Log Splitter Safety and Operating Instructions manual.

Tools needed:

- Ratchet and Extension with a 9/16" Socket.

1. Support the Beam of the Log Splitter with a Jack Stand or equivalent (**Figure 2**).

Note: Use the lower four holes at the end of the Beam to mount the Brackets in the next step.

2. Install the Frame Stand and Support Brackets with four 3/8-16 X 1 Carriage Bolts and 3/8-16 Flanged Locknuts by hand but do not tighten.
3. Install the Cradle Extension Mounts using four 3/8-16 X 1.25" Flange Bolts and 3/8-16 Flanged Locknuts by hand but do not tighten (**Figure 3**).

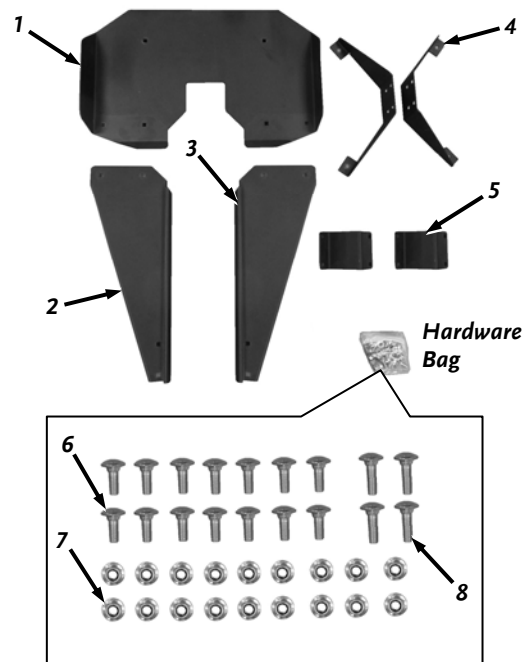


Figure 1

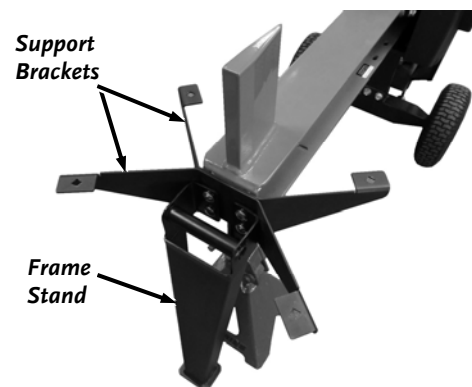


Figure 2

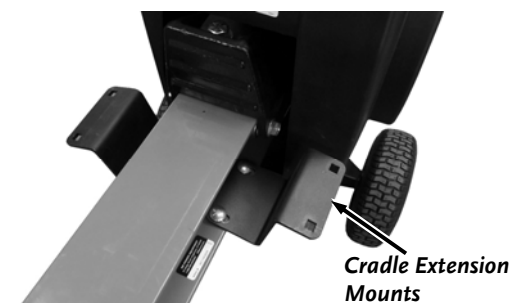


Figure 3

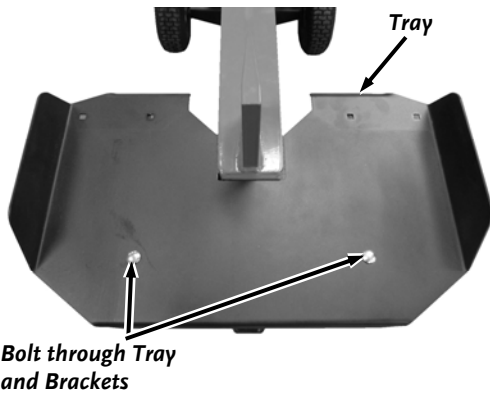


Figure 4

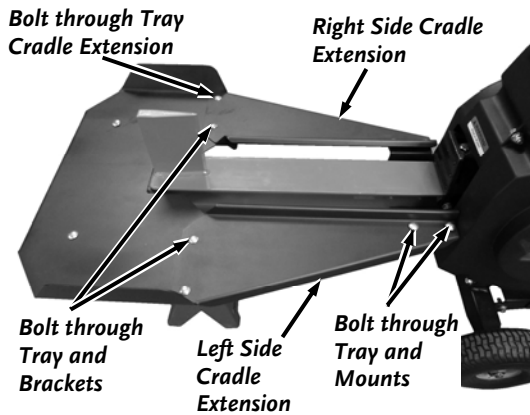


Figure 5

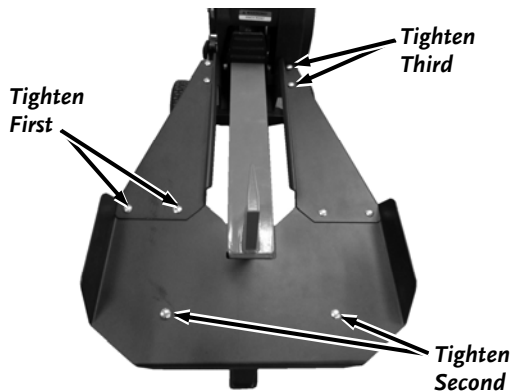


Figure 6

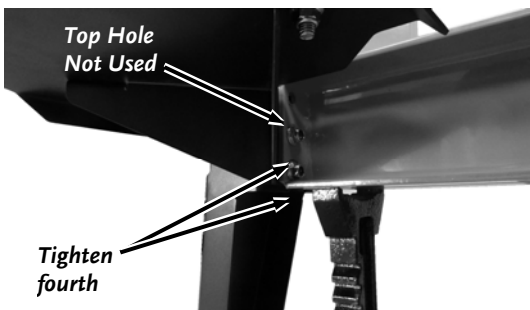


Figure 7

4. Position the Tray onto the Support Brackets and secure the front of the Tray to the Brackets with four 3/8-16 X 1.25" Flange Bolts and 3/8-16 Flanged Locknuts by hand but do not tighten (**Figure 4**).
5. Position the right and left side Cradle Extensions and secure to the Tray and Mounts with eight 3/8-16 X 1" Carriage Bolts and 3/8-16 Flanged Locknuts by hand but do not tighten (**Figure 5**). Ensure that the two forward inner Bolts go through the Cradle Extension, Tray and Support Brackets.

Hardware tightening sequence

1. First, tighten the four Bolts and Locknuts that secure the Cradle Extensions to the Tray and Support Brackets using a Ratchet and Extension with a 9/16" Socket (**Figure 6**).
2. Second, tighten the two Bolts and Locknuts that secure the Tray to the Support Brackets at the front and the Cradle Extensions to the Mounts at the rear.
3. Third, tighten the four Bolts and Locknuts that secure the Cradle Extensions to the Mounts.
4. Fourth, tighten the four Bolts and Locknuts that secure the Frame Stand and Support Brackets to the Beam (**Figure 7**).
5. Last, tighten the four Bolts and Locknuts that secure the Cradle Extension Mounts to the Beam (**Figure 8**).
6. Remove the Jack Stand.
7. If this is an aftermarket kit your kit install is complete. If this was a kit install for a new machine setup, return to the Safety and Operating Instructions manual to continue with the setup of the Log Splitter.

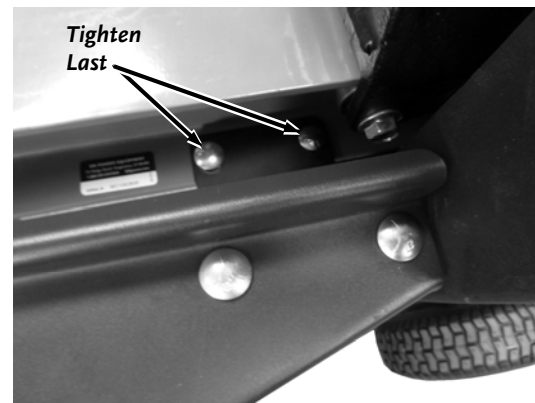


Figure 8