



# Corded Blower/Vacuum

## *Safety & Operating Instructions*

---



### **NEUTON Power Equipment**

75 Meigs Road  
Vergennes, VT 05491

Toll-Free phone: **1-866-NEUTON1 (638-8661)**

Fax: 1-802-877-1213

Website: [www.neutonpower.com](http://www.neutonpower.com)

E-MAIL: [INFO@NEUTONPOWER.COM](mailto:INFO@NEUTONPOWER.COM)



---

### **⚠ WARNING!**

Read and understand this manual and all instructions before operating this Blower/Vacuum.

---

## Table of Contents

Chapter 1: Important Safety Considerations.....	2
Chapter 2: Setting Up Your NEUTON Corded Blower/Vacuum.....	4
Chapter 3: Operating Your NEUTON Corded Blower/Vacuum.....	5
Chapter 4: Troubleshooting Your NEUTON Corded Blower/Vacuum.....	6
Chapter 5: Parts List, Schematic Diagram, and Warranty.....	7

## Conventions used in this Manual

### **WARNING!**

This indicates a hazardous situation, which, if not avoided, *could result in death or serious injury.*

### **CAUTION!**

This indicates a hazardous situation, which, if not avoided, *could result in minor or moderate injury.*

### **NOTICE**

This information is important in the proper use of your tool. Failure to follow this instruction could result in damage to your tool or property.

**TIP:** This is a helpful hint to guide you in getting the most out of your NEUTON Corded Blower/Vacuum.

**NOTE:** This information may be helpful to you in using your Blower/Vacuum.

Neuton Power Equipment reserves the right to discontinue, change, and improve its products at any time without notice or obligation to the purchaser. The descriptions and specifications contained in this manual were in effect at printing. Equipment described within this manual may be optional. Some illustrations may not be applicable to your equipment.

## NEUTON Corded Blower/Vacuum Product Specifications

<b>Motor</b>	
Input	120 VAC
<b>Controls</b>	
ON/OFF	Single Switch
Speed	Variable Speed Thumb Wheel Switch
Handle	Rubber Molded over the Handle
<b>Blower Housing</b>	
Material	Injected Polypropylene
Blower Tube Assembly	25 inches
Weight	3.50 lbs. (as a Blower) 4.62 lbs. (as a Vacuum with the Collector Bag)
<b>Blowing</b>	
Air Speed	140 MPH – 250 MPH

## Chapter 1: Important Safety Considerations

We want you to enjoy years of safe and productive use from your NEUTON Corded Blower/Vacuum. We do not want you injured, so please take a few moments to read the following instructions for safely operating your new Tool.

Take a moment to study the following label and make a note of its location as you assemble and *before* you operate the Blower/Vacuum. Replace a damaged or missing safety and information label immediately.

### **WARNING**

To reduce the risk of injury, user must read and understand the operator's manual. When servicing, use only identical replacement parts. To reduce the risk of electric shock, do not use on wet surfaces. Do not expose to rain. Store indoors. For household use only. Replace damaged cord immediately.



Made in China  
Fabriqué en Chine

### **AVERTISSEMENT**

Pour réduire les risques de blessures, l'utilisateur doit lire et veiller à bien comprendre le manuel d'utilisation. Utiliser exclusivement des pièces identiques à celles d'origine pour les réparations. Pour réduire les risques de choc électrique, ne pas utiliser l'outil sur les surfaces humides. Ne pas exposer l'outil à la pluie. La remiser à l'intérieur. Pour l'usage de ménage seulement. Remplacer immédiatement les cordons endommagés.

**286631**

WARNING Label on side of Blower/Vacuum Housing 286631

## Protecting Yourself and Those around You

---

### **WARNING!**

This blowing tool is capable of throwing debris and objects. Failure to observe the following safety instructions could result in serious injury or death.

- Tragic accidents can occur if the operator is not alert to the presence of children. Children are often attracted to the Blower and the activity of blowing. Never assume that children will remain where you last saw them.
  - Be sure the area is clear of other people before blowing. Never allow bystanders, or pets in your work area when operating the Blower. Stop the tool if anyone enters the area. Keep bystanders at least 30 feet away from the work area.
  - Only allow responsible individuals who have a thorough understanding of these instructions to operate the Blower/Vacuum. Never allow children to operate the tool.
  - Use extra care when approaching blind corners, shrubs, trees, or other objects that may obscure your vision.
  - If you are ever unsure about an action you are about to take, please do not do it.
- 

## Dressing Appropriately

---

### **WARNING!**

- Always wear protective goggles or safety glasses with side shields that are marked to comply with ANSI Z87.1 standard when using your NEUTON Corded Blower/Vacuum to protect your eyes from possible thrown objects.
  - Use a face or dust mask when operating in dusty conditions. Some dust created by blowing contains chemicals known to the State of California to cause cancer, birth defects, or other reproductive harm. Some examples of these chemicals are: Compounds in fertilizers, insecticides, herbicides, and pesticides, also arsenic and chromium from chemically treated lumber. To reduce your exposure to these chemicals, wear approved safety equipment such as dust masks specially designed to filter out microscopic particles.
  - We recommend the use of ear protectors or earplugs rated for at least 20 DBA to protect your hearing.
  - Wear shoes with non-slip treads when using the Blower/Vacuum. If you have safety shoes, wear them. Do not use the Blower/Vacuum while barefoot or wearing sandals with exposed toes or heels.
  - Wear protective hair covering to contain long hair to protect you from pieces of toxic plants such as poison ivy.
  - We recommend wearing long pants and rubber gloves while using this tool. Be sure the gloves fit properly and do not have loose cuffs or drawstrings.
- 

## Preparing to Use Your Blower/Vacuum

---

### **WARNING!**

- Read, understand, and follow all instructions on the Blower/Vacuum and in this manual. Be thoroughly familiar with the control and the proper use of the Blower/Vacuum before starting.
  - Thoroughly inspect the area where you will be using the Blower/Vacuum, and remove all stones, lawn toys, wire, bones, sticks, pet supplies, and any other foreign objects which could be thrown or ingested by the Blower/Vacuum.
- 

## Operating Your Blower/Vacuum Safely

---

### **WARNING!**

- Do not use your NEUTON Corded Blower/Vacuum for any job other than the intended use. Never try to use an attachment not made specifically for the Blower/Vacuum.
  - Avoid unintentional starting - do not carry the NEUTON Corded Blower/Vacuum with your finger on the ON/OFF Switch.
  - Never carry the Blower/Vacuum by the power cord or yank the power cord to disconnect the unit.
  - Do not put any part of your body in the Blower/Vacuum air intake opening or Blower Tube exhaust opening.
  - Never attempt to move rocks or sharp materials while operating the Blower/Vacuum unit.
  - Remove the power cord when inspecting, cleaning, clearing any material from the Blower/Vacuum Air Inlet, or changing configurations (Blower/Vacuum).
  - Do not operate the Blower/Vacuum in gaseous or explosive atmospheres. Motors in these tools normally spark, and the sparks might ignite fumes.
  - Never operate the Blower/Vacuum without the proper Tubes or Collection Bag attached.
  - Never use the Blower/Vacuum around fires, fireplaces, barbecue pits, ashtrays, etc.
  - Always use the Collection Bag shoulder strap when vacuuming to avoid loss of control.
  - Never operate the Blower/Vacuum in the rain or wet conditions
  - Never over reach and keep proper footing and balance at all times.
  - Operate only in daylight or in an area well lit by artificial light.
  - Watch out for traffic when operating near roadways.
  - Stay alert and watch what you are doing. Do not operate the Blower/Vacuum when you are tired or under the influence of medication, drugs, or alcohol.
-

## CAUTION!

- If the Blower/Vacuum vibrates abnormally, stop the motor, remove the power cord, and inspect the tool for any damage. Check for alignment of moving parts, binding of moving parts, breakage of parts, mounting and any other condition that may affect its operation. Repair the damage before restarting and operating the Blower/Vacuum. **NOTE:** Excessive vibration is generally a sign of trouble.
- Do not operate the Blower/Vacuum if it does not start normally or stop normally with the ON/OFF Switch.

No list of Warnings and Cautions can be all-inclusive. If situations occur not covered by this manual, the operator must apply common sense and operate the NEUTON Corded Blower/Vacuum in a safe manner. Visit our website at [www.neutonpower.com](http://www.neutonpower.com) or call Toll Free: **1-866-NEUTON1 (638-8661)** for assistance.

## Chapter 2: Setting Up Your NEUTON Corded Blower/Vacuum

### Carton Contents:

- NEUTON Corded Blower/Vacuum Motor Housing Assembly
- Front Blower Tube
- Rear Blower Tube
- Upper Vacuum Tube
- Lower Vacuum Tube
- Collection Bag
- Safety and Operating Instructions

### Unpacking:

1. Carefully remove the Blower/Vacuum Housing, Blower Tubes, Vacuum Tubes, Collection Bag, and the *Safety and Operating Instructions* from the Shipping Carton. Make sure that all items listed in the Carton Contents are included (**Figure 1**).
2. Inspect the product carefully to make sure no breakage or damage occurred during shipping. If you find damaged or missing parts, call Toll Free: **1-866-NEUTON1 (638-8661)** for assistance.

**NOTE:** Do not discard the Shipping Carton and packaging material until you are fully satisfied with your new NEUTON Corded Blower/Vacuum.

### Assembling Your NEUTON Corded Blower/Vacuum:

The NEUTON Corded Blower/Vacuum is a motorized blowing/vacuum tool. For your safety, and for best results, it is important to read the information in "Chapter 1: Important Safety Considerations" before you assemble or use this Blower/Vacuum. To familiarize yourself with the assembly, features, and operation of your Blower/Vacuum, please read the remainder of this manual before proceeding.

#### Assemble as a Blower:

1. Orient the Front and Rear Blower Tubes as shown in **Figure 2**. Align the Posts on the Rear Tube with the Grooves in the Front Tube. Slide them together and twist the Front Tube counterclockwise about 1/8th of a turn locking them together.
2. Line up the Posts on the inside of the Rear Tube with the Grooves in the Air Outlet of the Motor Housing (**Figure 3**). Push the Rear Tube onto the Air Outlet of the Motor Housing and twist it clockwise locking them together.

#### Assemble as a Vacuum:

1. Orient the Upper Tube with the Handle and the Lower Tube with the slanted end as shown in **Figure 4**. Align the Posts on the Upper Tube with the Grooves in the Lower Tube. Slide them together and twist the Lower Tube clockwise about 1/8th of a turn locking them together.

**TIP:** For ease of assembly, stand the Upper Tube on end (Handle down) and then attach the Lower Tube. You can hold the Upper Tube with your feet to prevent it from twisting as you turn the Lower Tube to lock it in place.



Figure 1

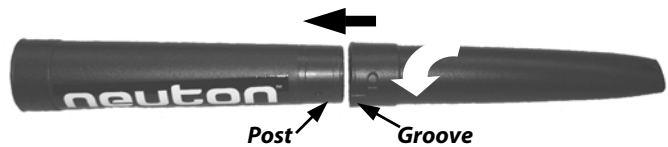


Figure 2

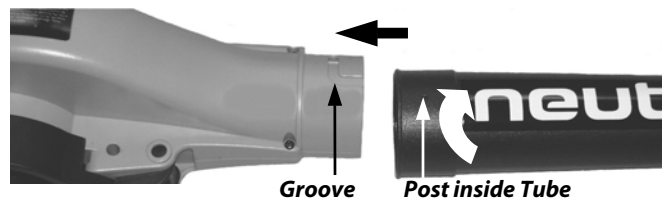


Figure 3

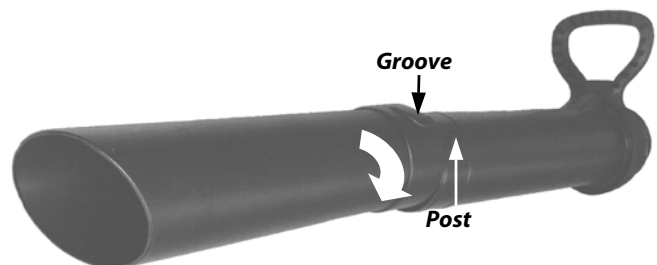
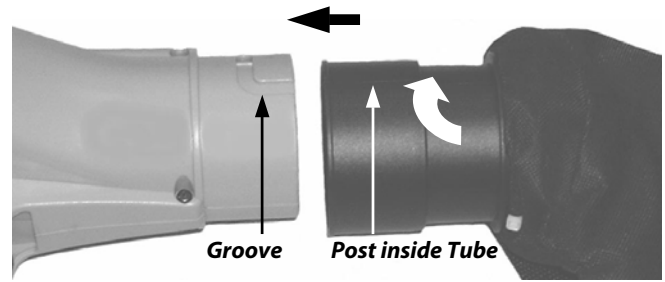


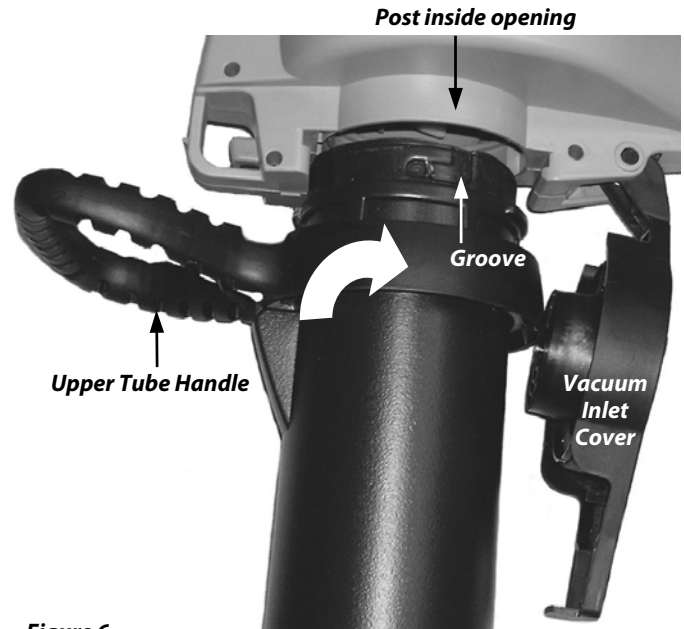
Figure 4

2. Orient the Collector Bag Tube with the Output Nozzle of the Motor Housing as shown in **Figure 5**. Align the Posts on the inside of the Bag Tube with the Grooves in the Output Nozzle. Slide them together and twist the Bag Tube clockwise about 1/8th of a turn locking them together.
3. Hold open the spring loaded Vacuum Inlet Cover and align the Grooves in the Upper Tube with the Posts on the inside of Vacuum Opening (**Figure 6**). Slide the Upper Tube in the opening and twist the Tube, using the Handle, clockwise about 1/8th of a turn locking them together.

**TIP:** For ease of insertion, stand the Motor Housing on the Handle and prop it up with your feet.



**Figure 5**



**Figure 6**

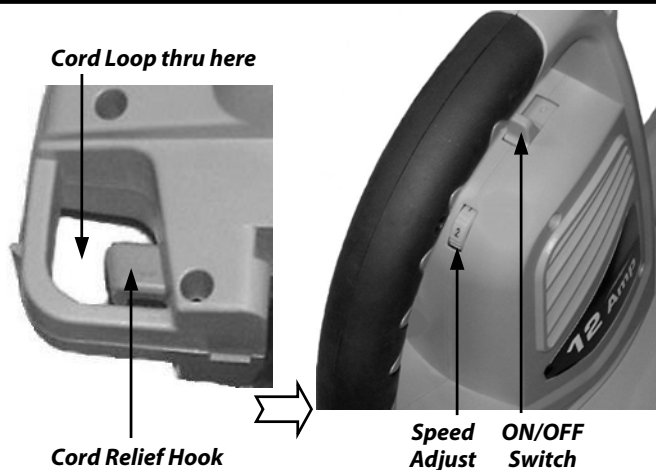
## Chapter 3: Operating Your NEUTON Corded Blower/Vacuum

### Starting and Stopping the Blower/Vacuum

#### NOTICE

- Starting, stopping, and restarting an electric Motor repeatedly within a few seconds can generate a great deal of heat and damage the Motor. To protect the life of your NEUTON Corded Blower/Vacuum, always wait at least five (5) seconds after stopping before restarting the Blower/Vacuum.
- Avoid collisions with hard objects, which could damage the Blower/Vacuum Tubes.

1. Perform the Daily Checks listed on the back cover of this manual.
2. Connect the Blower/Vacuum to a working 120V outlet using a heavy-duty outdoor extension power cord. Make a loop in the power cord and push it through the hole in the Housing and around the Cord Relief Hook (**Figure 7**) then plug it into the Power Receptacle on the Blower/Vacuum.
3. While firmly grasping the Handle, push the ON/OFF Switch (**Figure 7**) to the ON Position (1). If the Blower/Vacuum does not start, make sure you plugged the power cord into a live 120V outlet (simply use a lamp to check the power outlet) and firmly plugged the power cord into the Blower/Vacuum Power Receptacle. You can now adjust the speed of the Motor from position 1 (lowest speed) to position 6 (highest speed) using the Speed Adjust Switch (**Figure 7**).
4. To stop the Blower/Vacuum, move the ON/OFF Switch to the (O) Position (**Figure 7**).



**Figure 7**

## Using the Blower/Vacuum as a Blower

### **WARNING!**

Be careful where you point the jet of air from the Blower as it could move heavy material and cause injury or damage.

Use your NEUTON Corded Blower/Vacuum to clean out corners, fences, and walls, beneath cars or wooded areas.

Push ON/OFF Switch to the ON position (1), adjust to desired speed, point the jet of air in front of you and move forward slowly to gather together the material or to move the material from inaccessible areas.

**TIP:** Swing the Blower Nozzle from side to side and circle the material you want to move.

**NOTE:** If the Blower draws an object into the Air Intake (Vacuum Inlet Cover **Figure 6** on page 5), shut OFF the Motor, wait for the Impeller to stop turning, disconnect the power cord, open the Inlet Cover, and remove the object. Rotate the Impeller and inspect it for damage. If it does not rotate or you see damage, visit our website at [www.neutronpower.com](http://www.neutronpower.com) or call Neutron Power Equipment Toll Free at: **1-866-NEUTON1 (638-8661)** for assistance.

## Using the Blower/Vacuum as a Vacuum

1. The Vacuum may be used in either hand, but, the shoulder strap of the Collector Bag **MUST** be placed over your head and on the opposite shoulder of the operating hand.
2. Place the slanted end of the Lower Tube flat on the ground. Adjust the Shoulder Strap of the Collector Bag so that the input to the Bag is not kinked to allow maximum airflow into the Bag.
3. Raise the lower Tube to just off the ground and turn ON the Vacuum. Adjust the Motor Speed to maximum to achieve the best results.
4. Move the unit slowly back and forth over the debris you want to vacuum.

**NOTE 1:** If the Vacuum picks up an object that is too big to go through the Impeller, simply shut OFF the Vacuum and the object will fall out of the Tubes. Before you continue, disconnect the power cord, remove the Upper Vacuum Tube, rotate the Impeller, and inspect it for damage. If it does not rotate or you see damage, visit our website at [www.neutronpower.com](http://www.neutronpower.com) or call Neutron Power Equipment Toll Free at: **1-866-NEUTON1 (638-8661)** for assistance.

**NOTE 2:** If you clog the Vacuum, shut OFF the Motor, wait for the Impeller to stop turning, disconnect the power cord, and clean out the debris from the Tubes.

## Chapter 4: Troubleshooting Your NEUTON Corded Blower/Vacuum

### Troubleshooting Tips

Most difficulties are easy to fix. Consult the Troubleshooting Table on page 7 for common problems and their solutions. If you continue to experience problems or need repairs beyond these minor adjustments, visit our website at [www.neutronpower.com](http://www.neutronpower.com) or call Neutron Power Equipment Toll Free at: **1-866-NEUTON1 (638-8661)** for assistance.

### **WARNING!**

Always unplug the power cord before performing any maintenance, or repairs to your Blower/Vacuum.

### Troubleshooting Table

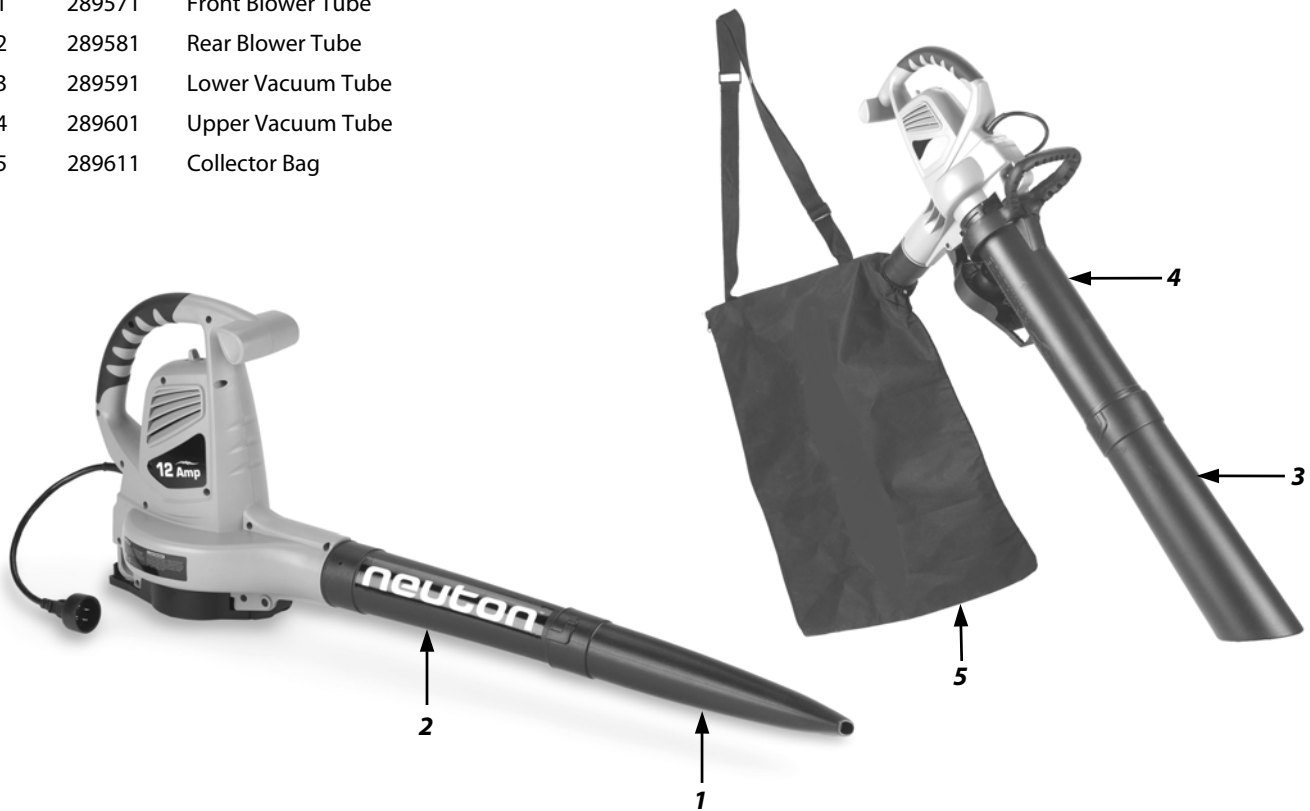
PROBLEM	CORRECTIVE ACTION
The Blower/Vacuum Motor fails to start.	⇒ Check that you installed the power cord properly into the Blower/Vacuum power cord receptacle and you plugged the power cord into a live 120V outlet.
The Blower runs, but the air speed is low.	⇒ You may have plugged the Air Intake, clean it out.
Vacuum is not picking up debris.	⇒ Clogged Vacuum Tubes; clean them out.

## Chapter 5: Parts List, Schematic Diagram, and Warranty

### Parts List & Schematic Diagram NEUTON Corded Blower/Vacuum

**NOTE:** Part numbers listed are available through Neuton Power Equipment

Ref#	Part#	Description
1	289571	Front Blower Tube
2	289581	Rear Blower Tube
3	289591	Lower Vacuum Tube
4	289601	Upper Vacuum Tube
5	289611	Collector Bag



101118

## 2-Year Limited Warranty

### Terms and Conditions

The NEUTON® Corded Blower/Vacuum has a warranty for two (2) years against defects in materials or workmanship when put to personal residential household use.

For the purposes of the warranty, "personal residential household use" refers to non-commercial residential use and further excludes misuse, accidents, or damage due to inadequate maintenance.

Neuton Power Equipment certifies that the NEUTON® Corded Blower/Vacuum is fit for ordinary purposes for which a product of this type is used. Neuton Power Equipment however, limits the implied warranties of merchantability and fitness in duration to a period of two (2) years in personal residential household use.

The 2-Year Limited Warranty on the NEUTON® Corded Blower/Vacuum starts on the date the tool shipped from our factory. The 2-Year Limited Warranty is applicable only to the original owner.

The owner is responsible for the performance of all the required maintenance as defined by the manufacturer's owner manual.

The owner is responsible for the replacement of normally wearing parts such as the Collector Bag, Impeller, Vacuum Tubes, and the Blower Tubes.

During the warranty period, the owner is responsible for all shipping and transportation charges, if required.

SOME STATES DO NOT ALLOW LIMITATIONS ON THE LENGTH OF IMPLIED WARRANTIES, SO THE ABOVE LIMITATIONS MAY NOT APPLY TO YOU. SOME STATES DO NOT ALLOW THE EXCLUSION OR LIMITATION OF INCIDENTAL OR CONSEQUENTIAL DAMAGES, SO THE ABOVE LIMITATIONS MAY NOT APPLY TO YOU.

Neuton Power Equipment shall not be liable under any circumstances for any **incidental or consequential damages or expenses** of any kind, including, but not limited to, cost of equipment rentals, or cost of hiring services to perform tasks normally performed by the NEUTON® Corded Blower/Vacuum.

THIS WARRANTY GIVES YOU SPECIFIC LEGAL RIGHTS, AND YOU HAVE OTHER RIGHTS, WHICH VARY FROM STATE TO STATE.

## Daily Checklist, Cleaning and Storing for your NEUTON Corded Blower/Vacuum

To help maintain your NEUTON Blower/Vacuum for optimum performance, we recommend you follow this checklist each time you use your Blower/Vacuum.

---

### **WARNING!**

Do not plug in the power cord until you have completed all of the daily checks.

---

[ ] **INSPECT:** Before plugging in the power cord, inspect for any visible damage to the Blower/Vacuum Tubes or Motor Housing. Inspect the Air Intake and clean it to remove any debris.

Make sure the ON/OFF Switch is in the OFF (O) position.

[ ] **NOISES:** If you notice anything unusual, such as a vibration or odd sound, shut the Blower/Vacuum OFF immediately. Remove the power cord and check the Blower/Vacuum for any obstructions.

If you cannot find the cause of the problem or are uncertain what to do, then have the Blower/Vacuum inspected by a qualified repair shop before using it or visit our website at [www.neutonpower.com](http://www.neutonpower.com).

---

### **CAUTION!**

- Remove the power cord and allow the Blower/Vacuum to cool for at least five (5) minutes before servicing or storing.
  - If you drop the Blower/Vacuum, carefully inspect it for damage. If a Blower/Vacuum Tube(s) is broken, Motor Housing cracked, or Handle broken or if you see any other condition that may affect the operation of the Blower/Vacuum, visit our website at [www.neutonpower.com](http://www.neutonpower.com) or call Neuton Power Equipment Toll Free at: **1-866-NEUTON1 (638-8661)** for assistance before putting it back into use.
- 

### Cleaning the Blower/Vacuum

Use only mild soap and a damp cloth to clean the Blower/Vacuum. Never let any liquid get inside the Motor Housing and NEVER immerse any part of the Motor Housing into a liquid.

### Storing

[ ] Empty the Collector Bag before storing.

[ ] Do not store the Blower/Vacuum near chemicals, such as fertilizers, organic or other solvents. Do not expose brake fluids, gasoline, petroleum-based products, penetrating oils, etc., to the plastic parts of the Blower/Vacuum. These products are often highly corrosive and may cause permanent damage, weaken, or destroy the plastic to your Blower/Vacuum.

[ ] When not in use, your NEUTON Corded Blower/Vacuum should be stored indoors in a dry and high or locked-up place, out of reach of children.

### Copyrights and Trademarks

©2011 Neuton Power Equipment, a division of Country Home Products  
NEUTON and NEUTON logo are trademarks of Country Home Products  
All rights reserved.

### Documentation

Produced in China for Neuton Power Equipment

---

## Neuton POWER EQUIPMENT

**75 MEIGS ROAD, VERGENNES, VERMONT 05491**