

DR® ALL-TERRAIN™ FIELD and BRUSH MOWER

Parts List and Assembly Diagrams



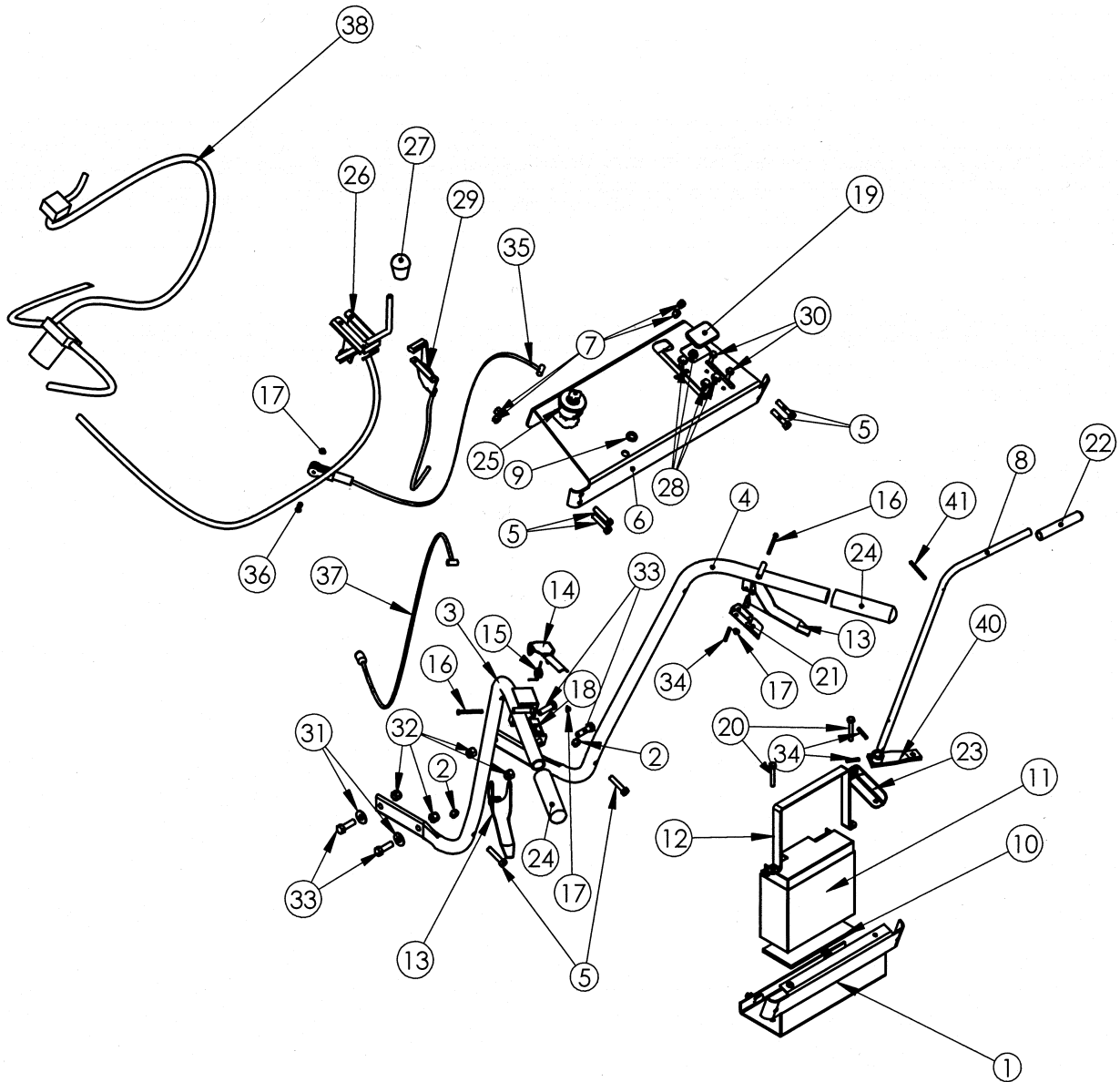
Important:

Please read the Safety and Operating Instructions and the separate Engine Manufacturer's Owners Manual to become familiar with the basic features of the DR® ALL-TERRAIN™ FIELD and BRUSH MOWER before operating it.

Country Home Products, Inc

Handlebar Assembly

Note: The circled numbers match the first column of numbers on the parts list.

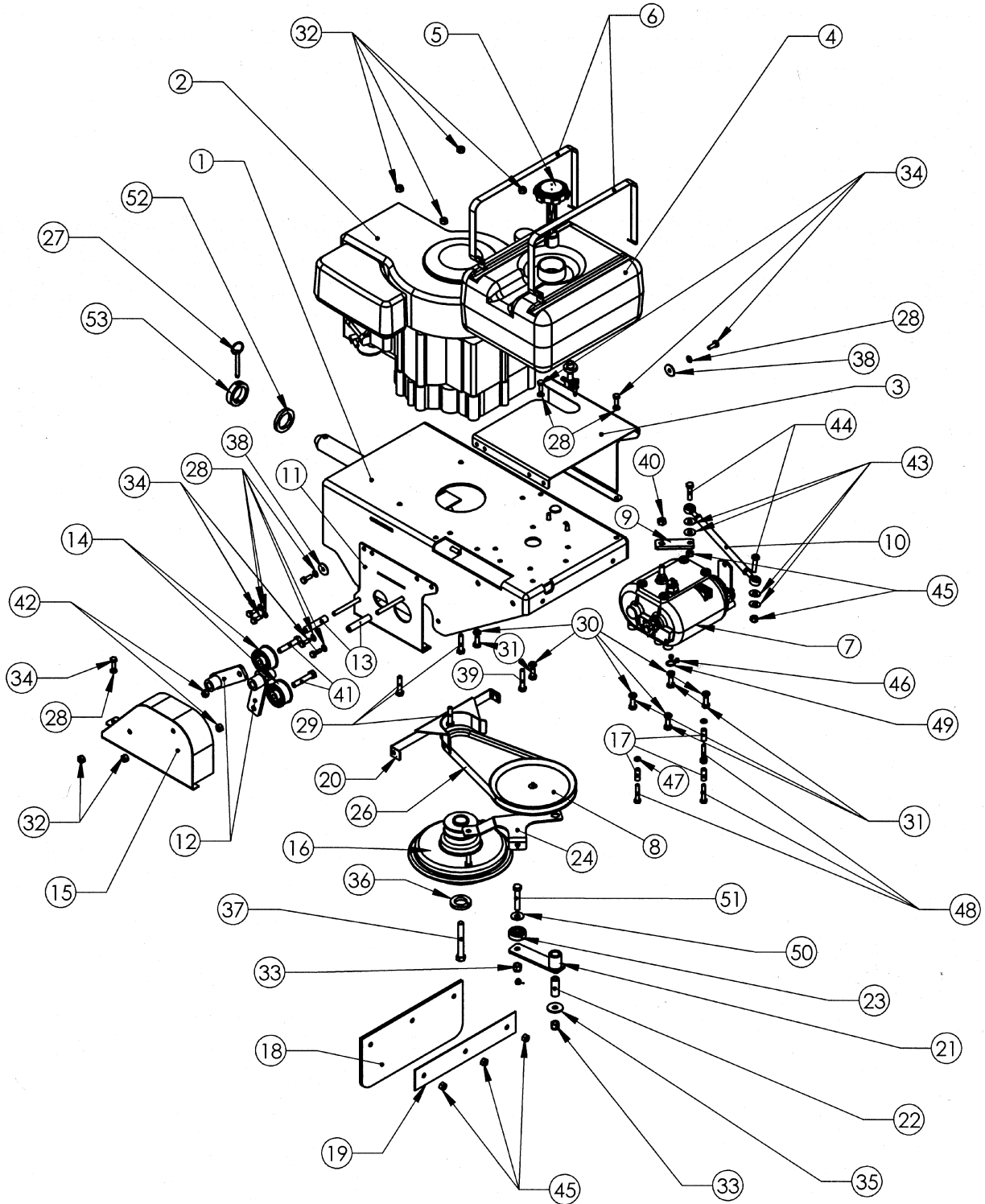


Parts List—Handlebar Assembly

Ref#	Qty	Part#	Description	Ref#	Qty	Part#	Description
1	1	150041	Battery Shelf	29	1	112111	Cable Throttle (B&S and Tecumseh)
2	4	110761	Nut, Nylon Lock, 5/16" - 18			139051	Cable, Throttle (Kawasaki)
3	1	151221	Handlebar, Left Hand	30	2	151401	Screw, 1/4" – 20 x 3/4", Tri-Lobe
4	1	151211	Handlebar, Right Hand	31	4	112391	Washer, Flat, 3/8" USS
5	6	150091	Bolt, HCS, 5/16" – 18 x 1.5"	32	4	110751	Nut, Nylon Lock, 3/8" - 16
6	1	150221	Control Panel	33	4	150431	Bolt, HCS, 3/8" – 16 x 1-1/4"
7	4	110761	Nut, Nylon Lock, 5/16" - 18	34	1	110961	Pin, Roll, 3/16" x 1"
8	1	150391	Shift Lever	35	1	150081	Cable, Transmission Brake
9	1	112441	Washer, 1/2" ID x 3/4" OD x 1/8", Nylon	36	1	151431	Pin, Clevis, 3/16" x 3/4"
10	1	101341	Battery Pad	37	1	150161	Cable, Traction Drive
11	1	104831	Battery, 17AH, 12V	38	1	150521	Wire Harness, TEC, E/S, 12.2HP
12	1	124511	Clamp, Battery 7-1/8" x 5-1/2"			150541	Wire Harness, Kawasaki, E/S, 15HP
13	2	110281	Clutch and Brake Lever			150851	Wire Harness, B&S, M/S, 8HP
14	1	150381	Operator Presence Lever			151891	Wire Harness, B&S, E/S, 8 & 10HP
15	1	151241	Spring, Torsion, Operator Presence	39	1	110761	Nut, Nylon Lock, 5/16" - 18
16	2	151421	Pin, Clevis 3/16" x 1.875" Grooved, ZP	40	1	100241	Shift Arm with Hub
17	3	150861	Nut, 3/16", Push, Washer Cap	41	1	110971	Pin, Roll, 3/16" x 1-3/4"
18	1	150571	Switch, Operator Presence	<u>Safety Labels</u>			
19	1	151311	Plug, Hour Meter Hole	1	136821	Operator Presence Label	
20	2	111481	Bolt, HCS, 1/4" – 20 x 1-3/4"	1	136841	Caution Hot Surface Label Right Arrow, Briggs	
21	1	153691	Parking Brake Lock Lever			136831	Caution Hot Surface Label Left Arrow, Kawasaki/Tec.
22	1	110221	Grip, Shift Handle	1	136501	Wheel Clutch Label	
23	1	151181	Brake Cable Bracket	1	124371	American Flag Label	
24	2	150471	Grip, 1" OD, 4.5" L	1	127811	Warning: Add Oil Label	
25	1	151361	Switch, with Key, Snap-in, 4 Positions	1	109831	Parking Brake Label	
		151931	Switch, with Key, Snap-in 2 Positions	1	153321	DR All Terrain Mower Name Label	
26	1	150151	Cable, PTO Clutch	1	153351	Pulley Cover Label	
27	1	150361	Knob, Blade Engage Cable	1	153331	Throttle Control Label	
28	4	111731	Screw, 5/16" – 18 x 1/2"	1	153311	Control Panel Label	
				2	136491	Danger, Deck Label	

Power Unit Assembly

Note: The circled numbers match the first column of numbers on the parts list.

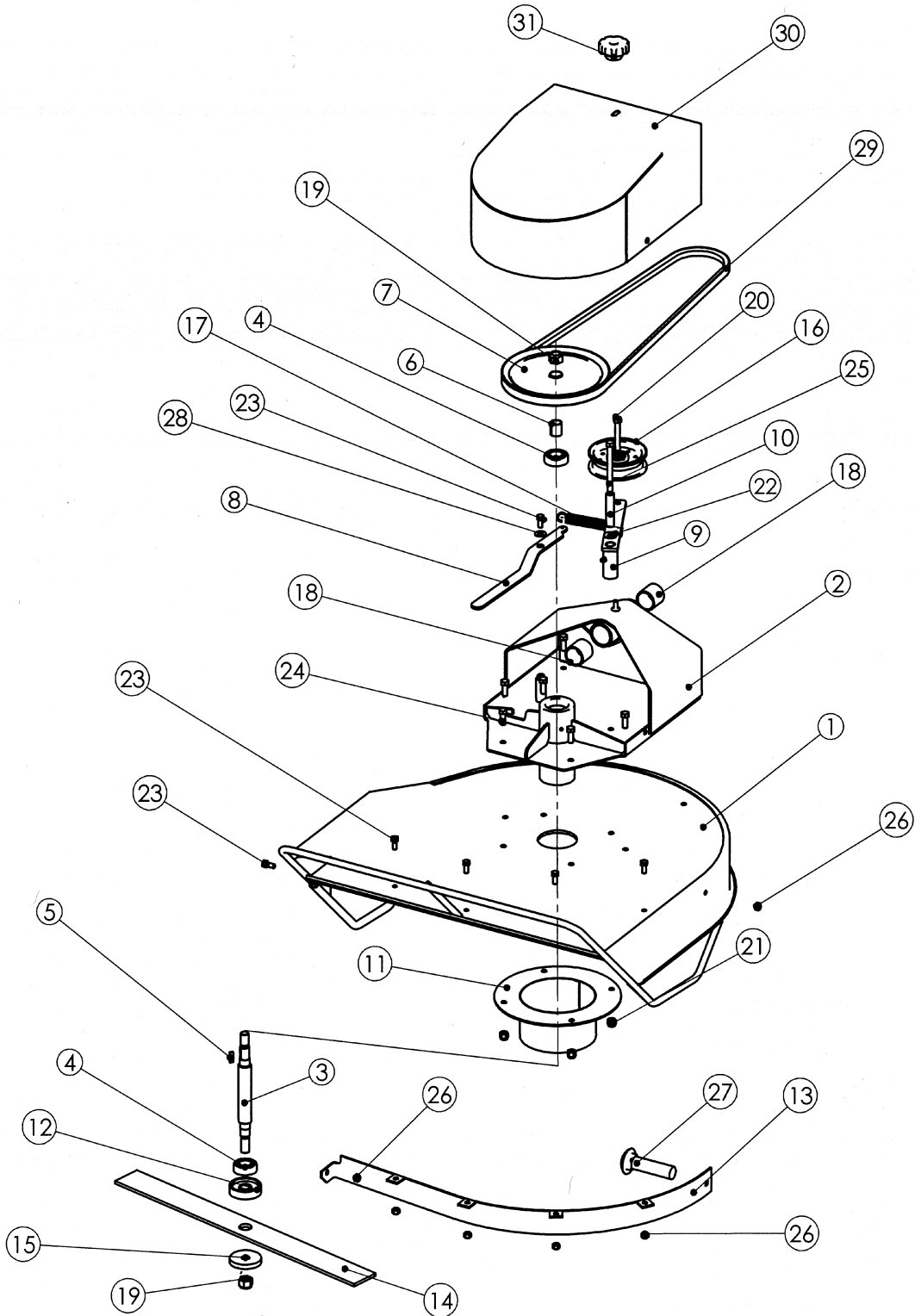


Parts List—Power Unit Assembly

Ref#	Qty	Part#	Description	Ref#	Qty	Part#	Description
1	1	150261	Frame, Main	31	6	123211	Bolt, HCS, 5/16" – 18 x 3/4"
2	1	160141	Engine, 9HP, TEC, m/s	32	6	110761	Nut, Nylon Lock, 5/16" - 18
		160151	Engine, 9HP, TEC, e/s	33	2	110751	Nut, Nylon Lock, 3/8" - 16
		160171	Engine, 11HP, B&S e/s	34	9	119831	Bolt, HCS, 1/4" – 20 x 3/4"
		160181	Engine, 13HP, B&S, e/s	35	1	112391	Washer, Flat, 3/8" USS
		160191	Engine, 15HP, KAW, e/s	36	1	151321	Washer, Lock, 7/16" Split
		160881	Engine, 17HP, KAW, e/s	37	1	150071	Bolt, HCS, 7/16" – 20 x 3-1/4"
3	1	150411	Mount, Fuel Tank				
4	1	150291	Fuel Tank Assembly	38	2	112381	Washer, Flat, 1/4" USS
5	1	150011	Fuel Cap With Gauge	39	1	150451	Bolt, HCS, 5/16" – 18 x 1-3/4"
6	2	150531	Strap, 2.5 Gal Fuel Tank				
7	1	150591	Transmission	40	1	150771	Nut, Nylon Lock, 3/8" - 24
8	1	111141	Pulley, V, 7" OD, 4L or A Belt	41	2	126861	Bolt, HCS, 3/8" – 16 x 2"
				42	2	110761	Nut, Nylon Lock, 5/16" - 18
9	1	151001	Transmission Shift Arm	43	4	112411	Washer, Flat, 5/16" USS
10	1	101441	Tie Rod, Shift, 7" L	44	2	123361	Bolt, HCS, 5/16" – 18 x 1-1/4"
11	1	150171	Chain Idler Support Plate				
12	2	150341	Chain Idler Adjuster Arm	45	5	110761	Nut, Nylon Lock, 5/16" - 18
13	2	150101	Bushing, .328" ID, .500" OD, 2.32" L	46	2	111691	Set Screw, 5/16" – 18 x 1/4"
14	2	150481	Pulley, Flat Idler, 1.875" OD, .375" Bore	47	3	101811	Washer, Lock, 1/4" Split
				48	3	101451	Bolt, 1/4" – 20 x 1-1/2"
15	1	150181	Guard, Chain	49	1	111241	Ring, Retaining, 5/8"
16	1	150211	Clutch, PTO	50	1	112391	Washer, Flat, 3/8" USS
17	3	111871	Spacer, 1/4" ID, .375" OD, 1.0" L	51	1	126861	Bolt, HCS, 3/8" – 16 x 2"
				52	1	151381	Washer, 1.375" ID, 2.0" OD x .25" Thk
18	1	150241	Debris Guard, 11.5" x 5.12"				
19	1	150551	Support, Debris Guard	53	1	151151	Washer, 1.38" ID, 2.0" OD, .5" L
20	1	150201	Belt Guide, Engine				
21	1	150611	Idler Arm, Traction Drive				
22	1	151111	Bushing, Idler Traction Drive				
23	1	108501	Pulley, Flat, Idler, 3.0" OD				
24	1	150021	Anti-Rotation Strap				
25	1	150501	Spring, E, 438" OD x .045" Wire x 2.5 L				
26	1	150061	Belt, A31, 1/2" x 33"				
27	1	150461	Pin, Detent, 1/4" x 2"				
28	9	112481	Washer, Lock, 1/4" External Tooth				
29	3	150091	Bolt, HCS, 5/16" – 18 x 1-1/2"				
30	6	112431	Washer, Lock, 5/16" Split				

Brush Deck Assembly

Note: The circled numbers match the first column of numbers on the parts list.

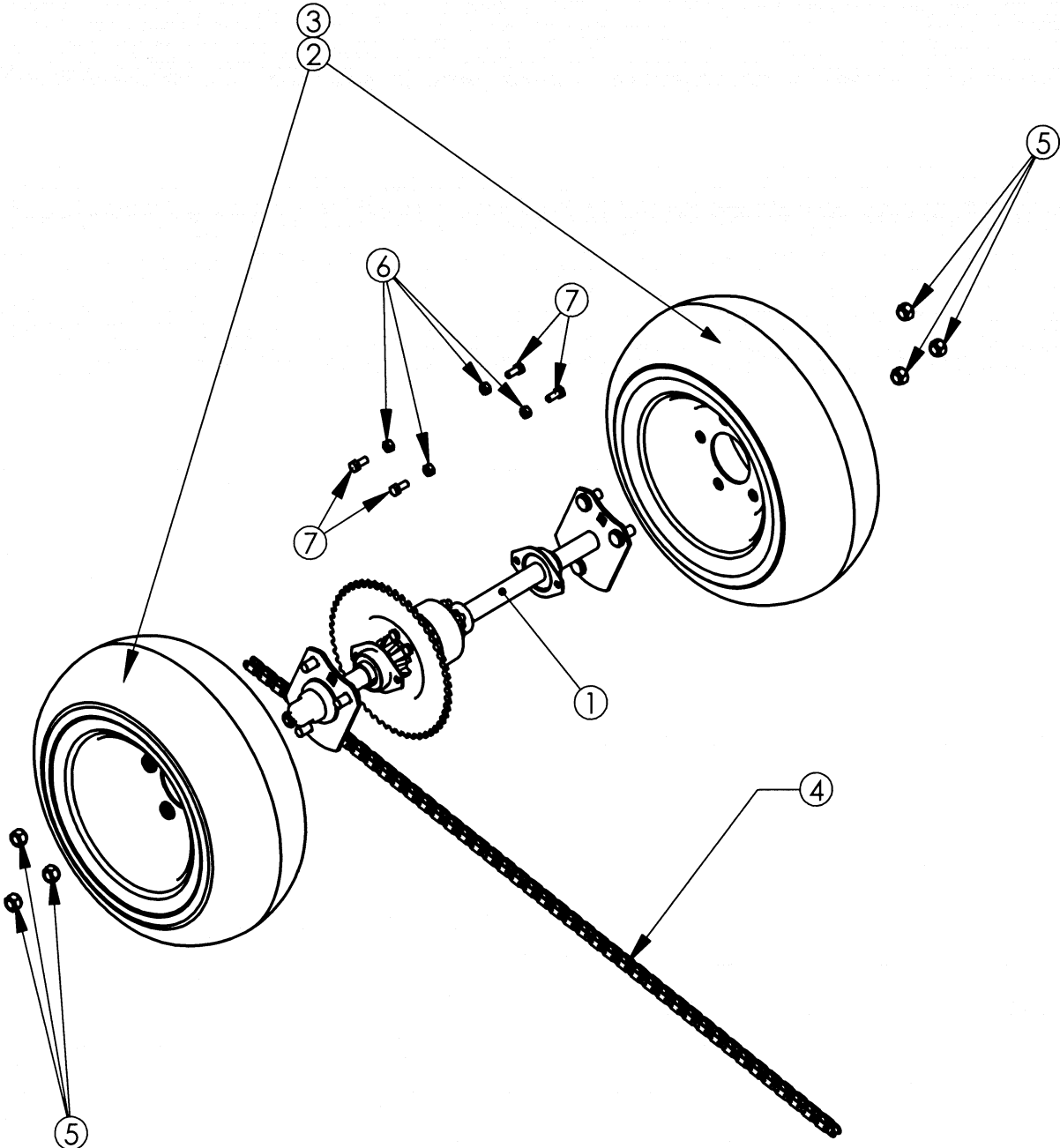


Parts List—Brush Deck Assembly

Ref#	Qty	Part#	Description	Ref#	Qty	Part#	Description
1	1	150761	Brush Deck, 26 inch	18	2	150721	Attachment Swivel Bushing
1	1	160621	Brush Deck, 30 Inch	19	2	101311	Nut, Nylon Lock, 5/8" - 11
2	1	150911	Spindle Support	20	1	150691	Bolt, HCS, 3/8" – 16 x 2-1/2"
3	1	151371	Spindle	21	9	110751	Nut, Nylon Lock, 3/8" - 16
4	2	150891	Bearing, Ball, .787" Bore	22	1	112391	Washer, Flat, 3/8" USS
5	1	151331	Key, Parallel, Round Ends, 1/4" x 3/16" x 7/8"	23	6	123211	Bolt, HCS, 5/16" – 18 x 3/4"
6	1	150901	Shim, .750" ID, .875" OD, 1.0" L with .1875" Slot	24	7	111521	Bolt, HCS, 3/8" – 16 x 1"
7	1	164451	Pulley, V, 8.5" OD, 5L or B Belt	25	1	150701	Bolt, HCS, 3/8" – 16 x 4"
8	1	150871	Belt Tension Release Lever	26	6	110761	Nut, Nylon Lock, 5/16" - 18
9	1	150831	Idler Arm	27	1	145291	Bolt, 5/16" – 18 x 3/4" Carriage
10	1	150711	Bushing, Idler	28	1	112411	Washer, Flat, 5/16" USS
11	1	150641	Anti-Wrap Guard	29	1	150681	Belt, B63K, 5/8" x 66"
12	1	151141	Spindle Hub	30	1	150731	Belt Cover
13	1	100721	Baffle, 26 inch	31	1	143661	Knob, 5/16"
13	1	160611	Baffle, 30 inch				
14	1	100481	Blade, 26" Air Tip				
14	1	160891	Blade, 30" Air Tip				
15	1	101771	Blade Washer				
16	1	151271	Pulley, Flat Idler, 4" x 3/8" Bore				
17	1	150941	Spring, Extension, .112" Wire x .750" OD x 5" L				

Differential/Axle Assembly

Note: The circled numbers match the first column of numbers on the parts list.



Parts List—Differential/Axle Assembly

Ref#	Qty	Part#	Description
1	1	150251	Differential, Limited Slip
2	2	150621	Wheel & Tire, 18" x 6.50" – 8", Terr, 5 Lug
3		151721	Wheel & Tire, 18" x 6.50" – 8", Turf, 5 Lug
4	1	150191	Chain, #40, 88 Pitches with Master Link
5	6	150441	Nut, Lug, 1/2" - 13
6	4	110761	Nut, Nylon Lock, 5/16" - 18
7	4	123211	Bolt, HCS, 5/16" – 18 x 3.75", Gr5 ZP

Notes

Notes

Daily Checklist for the DR[®] FIELD and BRUSH MOWER

- ✓ **OIL:** With the machine on a level surface, remove the oil fill cap and check the oil level. Fill the reservoir according to the dipstick with SAE30 HD motor oil.
- ✓ **GAS:** Fill the gas tank with fresh, unleaded gasoline, making sure the gas valve on the bottom of the tank is open. Always close the gas valve when storing your machine.
- ✓ **ENGINE:** It is very important to keep the engine clean. Remove grass and other debris from the engine cooling fins and debris guard. A dirty engine retains heat and can cause damage to internal engine components.
- ✓ **BELTS:** Check the belts for wear, proper alignment and tension.
- ✓ **BLADE:** Check the blade for tightness, nicks and wear. Remove any wrapped weeds and grass from the blade bearing housing to prevent buildup.

COUNTRY HOME PRODUCTS[®]

Meigs Road, P.O. Box 25, Vergennes, Vermont 05491

TOLL-FREE 1(800)DR-OWNER(376-9637) • www.dr-owner.com