



Battery-Powered String Trimmer

Safety & Operating Instructions



NEUTON Power Equipment

75 Meigs Road
Vergennes, VT 05491

Toll-Free phone: **1-866-NEUTON1 (638-8661)**

Fax: 1-802-877-1213

Website: www.neutonpower.com

E-MAIL: INFO@NEUTONPOWER.COM

! WARNING!

Read and understand this manual and all instructions before operating this Trimmer.

Protecting Yourself and Those around You

WARNING!

- Tragic accidents can occur if the operator is not alert to the presence of children. Children are often attracted to the Trimmer and the activity of trimming. Never assume that children will remain where you last saw them.
 - Never allow bystanders, or pets in your work area when operating the Trimmer. The Cutting Cord on the NEUTON Battery-Powered String Trimmer can throw sticks, small stones, gravel, and bits of debris over long distances. Stop the tool if anyone enters the area.
 - Only allow responsible individuals who have a thorough understanding of these instructions to operate the Trimmer. Never allow children to operate the tool.
 - If you are ever unsure about an action you are about to take, please do not do it.
-

Dressing Appropriately

WARNING!

- Always wear protective goggles or safety glasses with side shields that are marked to comply with ANSI Z87.1 standard when using your NEUTON Battery-Powered String Trimmer to protect your eyes from possible thrown debris.
 - We recommend the use of ear protectors or earplugs rated for at least 20 DBA to protect your hearing.
 - Wear shoes with non-slip treads when using the Trimmer. If you have safety shoes, wear them. Do not use the Trimmer while barefoot or wearing sandals with exposed toes or heels.
 - We recommend wearing long pants and rubber gloves while using this tool.
-

Preparing to Use Your Trimmer

WARNING!

- Read, understand, and follow all instructions on the Trimmer and in the manual. Be thoroughly familiar with the control and the proper use of the Trimmer before starting.
 - Thoroughly inspect the area where you will be using the Trimmer, and remove all wire, sticks, and any other foreign objects which could become entangled in or thrown by the Trimmer Cord. Be particularly careful to avoid any wire bent outwardly into the path of the tool, such as barbs at the base of a chain link fence.
-

Operating Your Trimmer Safely

WARNING!

- Do not use your NEUTON Battery-Powered String Trimmer for any job other than the intended use.
 - Avoid unintentional starting - do not carry the NEUTON Battery-Powered String Trimmer with your finger on the ON/OFF Switch.
 - Do not put any part of your body near the Trimming Cord when operating. Keep both hands on the Handles.
 - Remove the Battery Pack when inspecting, cleaning, or clearing any jammed material from the Trimmer Guard.
 - Never pick up or hold the Trimmer by the Cutting Cord or Guard.
 - Be aware that the Cutting Cord will coast to a stop after releasing the ON/OFF Trigger; it does not stop immediately.
 - Do not operate the Trimmer in gaseous or explosive atmospheres. Motors in these tools normally spark, and the sparks might ignite fumes.
 - Do not operate the Trimmer near electrical wires.
 - Never over reach and keep proper footing and balance at all times.
 - Do not force the Trimmer - it will do the job better and with less likelihood of a risk of injury when cutting at its own rate.
 - Never operate the Trimmer in the rain.
 - Watch out for traffic when operating near roadways.
 - Operate only in daylight or in an area well lit by artificial light.
 - Do not operate the tool when you are tired or under the influence of medication, drugs, or alcohol.
 - If the Trimmer vibrates abnormally, stop the motor, remove the Battery Pack, and inspect the tool for any damage. Check for alignment of moving parts, binding of moving parts, breakage of parts, mounting and any other condition that may affect its operation. Repair the damage before restarting and operating the Trimmer. **NOTE:** *Excessive vibration is generally a sign of trouble.*
 - Do not operate the Trimmer if it does not start normally or stop normally with the ON/OFF Switch.
 - Never use the Trimmer with a damaged or missing Guard.
 - If you strike or entangle with an object, stop the Trimmer immediately. Check for damage and have any damage repaired before further operation is attempted. Do not operate with a broken Hub or Spool.
-

Handling the Battery Pack Safely

! WARNING!

- Always charge the Battery Pack indoors, never charge it the rain or in wet conditions.
- Use only the Neuton Lithium Charger with Neuton Lithium Battery Packs. Do not use the Neuton Lithium Charger with Battery Packs from other manufacturers or other Neuton products. Use of a different Charger may cause a fire or explosion.
- Never attempt to alter or open the Battery Pack or Charger. There are no customer serviceable parts inside. Use normal household voltage (110 volts) when charging the Battery Pack. Plug the Charger Power Supply directly into the electrical outlet.
- Exercise care in handling the Battery Pack in order not to short-circuit it with conducting materials such as rings, bracelets, and keys. When short-circuited, the Battery Pack or conductor may overheat and cause burns.
- Electrolyte leakage from the Battery Pack can be harmful causing serious chemical burns if on the skin or in the eyes. Remove contaminated clothing and wash skin with soap and water. If electrolyte gets in your eyes, flush with cold water for at least 15 minutes and seek medical attention. Inhalation of vapors from a ruptured Battery Pack can cause respiratory irritation, provide fresh air, and seek medical attention.
- Never dispose of the Battery Pack in a fire, as the Battery Pack may explode. Never open or mutilate the Battery Pack; released materials are flammable. If fire or explosion occurs, do not breathe the fumes. A burning Battery Pack will create toxic fumes. Fire fighters should use self-contained breathing apparatus. The fire in the Battery Pack will need to burn out, but the fire can be kept from spreading. If possible, separate the Battery Pack from other flammable materials and use sand, copper powder or powdered graphite fire extinguishers, dry ground dolomite or soda ash to smother the fire.
- Do not ship damaged Battery Packs and be sure to use the original packaging materials when shipping Batteries and tools back to Neuton Power Equipment if you decide you do not want them. Special labeling on the packaging is required because the Batteries are considered hazardous materials. Check with airlines before trying to check Lithium batteries with your baggage. New regulations are being considered that may restrict packaging and shipping of these Batteries as well as tools with Batteries installed.
- Please dispose of your used Battery Packs responsibly by recycling them, never throw away used Battery Packs in your household trash. Call your local Solid Waste Management District or your local waste handler to locate the collection site nearest you. Some collection sites recycle Battery Packs year-round; others collect them periodically.

You can also visit the Web site of Earth 911 for more information [www.earth911.org]. Once there, click the Municipal HHW link under Hazardous Household Waste, and enter your zip code. The site lists recycling centers located near you. You can also visit our website www.neutonpower.com and click on "Customer Service" to find distribution centers across the country that will accept your Battery Pack for 100% recycling of the plastic and lithium. To learn more about hazardous waste recycling, visit the Web site for the Environmental Protection Agency [www.epa.gov].

No list of Warnings and Cautions can be all-inclusive. If situations occur not covered by this manual, the operator must apply common sense and operate the NEUTON Battery-Powered String Trimmer in a safe manner. Visit our website at www.neutonpower.com or call Toll Free: **1-866-NEUTON1 (638-8661)** for assistance.

Chapter 2: Unpacking, Assembling and Charging the Battery Pack on your String Trimmer

Carton Contents:

- NEUTON Battery-Powered String Trimmer w/2 extra Spools of Line
- Safety Guard and four (4) Screws
- Battery Pack and Charger (optional)
- *Safety and Operating Instructions*

Unpacking:

1. Carefully remove the Trimmer, Safety Guard, Screws, Battery Pack (optional), Charger (optional), Line Spools, and the *Safety and Operating Instructions* from the Shipping Carton. Make sure that all items listed in the Carton Contents are included.
2. Inspect the product carefully to make sure no breakage or damage occurred during shipping. If you find damaged or missing parts, call Toll Free: **1-866-NEUTON1 (638-8661)** for assistance.

NOTE: Do not discard the Shipping Carton and packaging material until you are fully satisfied with your new NEUTON Battery-Powered String Trimmer.

Assembly:

! WARNING!

Do not install the Battery Pack until assembly is complete. Failure to comply could result in accidental starting and possible serious injury.

Tool Required:

- Phillips Screwdriver
1. Position the Safety Guard as shown and slide it down over the Lug on the Motor Housing (**Figure 1**).
 2. Turn the Guard counterclockwise to lock into position (**Figure 1**).
 3. Using a Phillips Screwdriver, screw the Screws in the Guard into the Motor Housing (**Figure 2**).

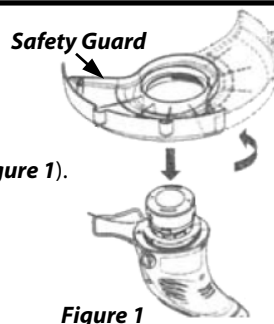


Figure 1

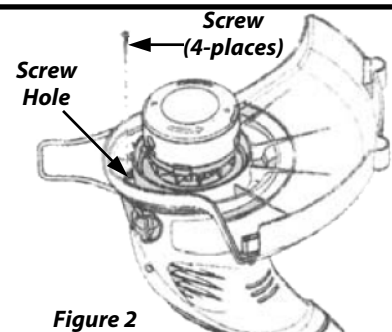


Figure 2

Charge the Battery Pack before your first use:

The NEUTON Battery-Powered String Trimmer uses a sealed, Lithium-Ion Battery Pack (optional). The Battery Pack is 18 volts and rated at 2.6 amp-hours. The Battery Pack should not leak, regardless of the position in which it is stored. Read "Handling the Battery Safely" in Chapter 1 for additional information. The Battery Pack is completely maintenance free. You never need to add water. With all rechargeable Batteries, after years of use, they will eventually need replacement.

You **MUST** charge the Battery Pack for at least 30-60 minutes before you use the Trimmer for the first time. If you do not charge it before using the Trimmer, the Battery Pack's charging capacity may decrease.

NOTICE

- Make sure the Charger Power Supply is plugged into a normal household voltage, 120volts, 60Hz, AC only.
- You should operate the Battery Charger in a dry place with temperatures between 32°F (0°C) and +80°F (+26.7°C). Operating above +80 °F can cause Battery Pack leakage, rust, or degradation of the Battery Pack performance.
- Disconnect Charger Power Supply from the household power when not in use to prevent damage to the Charger during a power surge.
- Periodically inspect the Cord on the Charger unit for damage. If damage occurs, do not use the Charger until you have replaced or repaired the Cord. Do not abuse the Cord. Never carry the Charger by the Cord. Always pull the plug – and not the Cord – when disconnecting the Power Supply from the electrical outlet (wall outlet) and from the Charger. When using an extension Cord with your Charger, use a heavy-duty extension Cord of a type 'suitable for outdoor use' (although you should never charge the Battery Pack in the open outdoors).
- The Battery Pack requires 2-3 charging and discharging cycles before reaching full charge ability.
- A Battery Pack may last much longer if you charge it as soon as it starts to lose power and not let it completely discharge. Recharge the Battery Pack as soon as the cutting power of your NEUTON Battery-Powered String Trimmer is no longer effective. This would be a good time to have a spare Battery Pack ready to go. Recharge the Battery Pack for 30-60 minutes until fully charged and remove it from the Charger.
- A good time to consider purchasing a replacement Battery Pack is when it loses its power quickly.

1. Plug the Charger into a standard household electrical outlet (**Figure 3**). The Green LED will glow.
2. Place Battery Pack in the Charger (**Figure 3**). The Battery Pack and Charger have keyways so they will fit together only one way. When properly connected, the RED LED will glow (**Figure 3**). If the RED LED flashes, this indicates a defective or wrong type Battery.
3. The Charger Indicator Light will glow RED continuously while charging. When fully charged the RED LED will change to GREEN, the Charger will shut OFF automatically after two (2) hours and the LED will remain GREEN.

CAUTION!

When installing the Battery Pack, **DO NOT** push the Lock-Off Button or squeeze the Trigger ON/OFF Switch (**Figure 4**).

1. Install the Charged Battery Pack in your NEUTON Battery-Powered String Trimmer by aligning the connector on the Battery Pack with the receptacle at the rear of the Trimmer and insert the Battery Pack (**Figure 4**) until the Latches on each side of the Battery Pack snap into place; assuring a secure connection to the Trimmer. Again, the Battery Pack and Trimmer Housing have keyways so they will fit together only one way.
2. To remove the Battery Pack, simply press both Latches on sides of the Battery Pack to release the Battery Pack from the NEUTON Battery-Powered String Trimmer Housing (**Figure 4**) and pull the Battery Pack straight back.

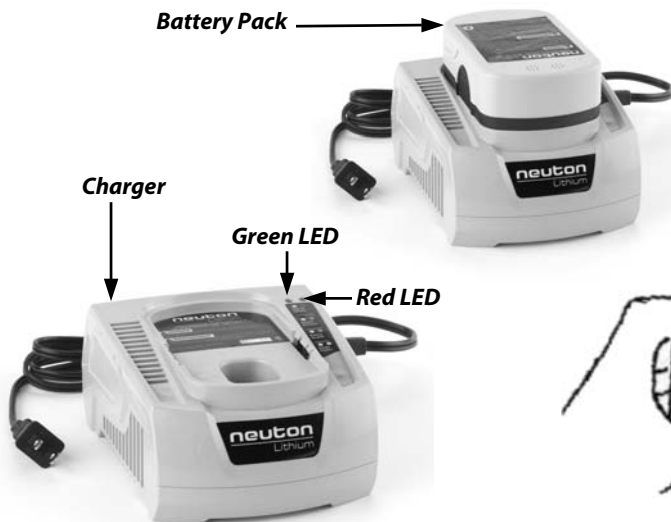


Figure 3

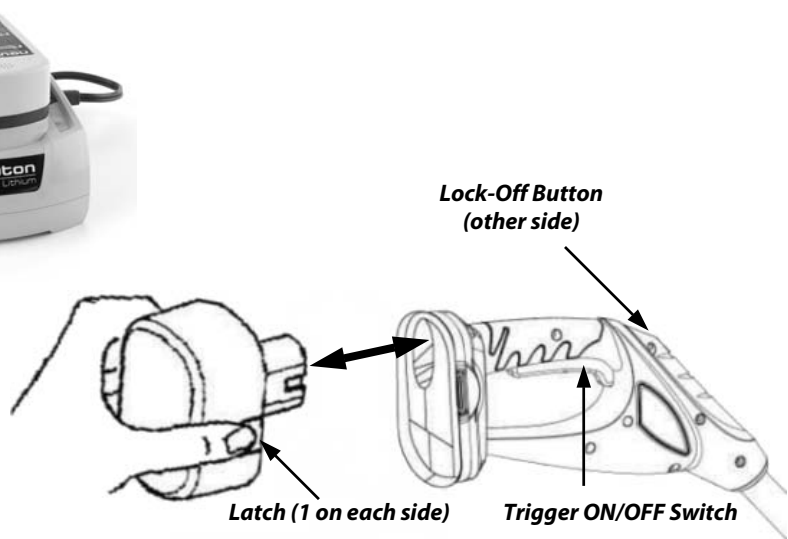


Figure 4

Chapter 3: Operating Your NEUTON Battery-Powered String Trimmer

Auxiliary Handle Adjustment

For maximum comfort and control, adjust the Auxiliary Handle (**Figure 5**) to suit your height. For shorter users, adjust the Handle to a lower position (away from you) and for taller users, adjust the Handle to an upper position (towards you). You should adjust the Handle so that your front arm is straight. To adjust the Auxiliary Handle, simply loosen the Adjustment Knob (counterclockwise), position the Auxiliary Handle as required and then tighten the Adjustment Knob (**Figure 5**).

Height Adjustment

You can adjust the overall height of the Trimmer by loosening the Lock Collar (**Figure 5**). Now you can adjust the Tubes shorter or longer. When you achieve the desired height, rotate the Lock Collar back to the original tightened position.

Starting the Trimmer

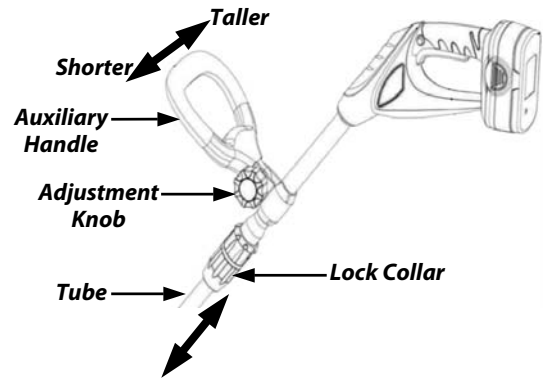


Figure 5

NOTICE

- Starting, stopping, and restarting an electric Motor repeatedly within a few seconds can generate a great deal of heat and damage the Motor. To protect the life of your NEUTON Battery-Powered String Trimmer, always wait at least five (5) seconds after stopping before restarting the Trimmer.
- Before you start the Motor, be certain that the Cutting Cord is not in contact with any object.

1. Perform the Daily Checks listed on the back cover of this manual.
2. Push the Lock-Off Button IN (**Figure 4** on page 5) with your thumb and squeeze the Trigger ON/OFF Switch (**Figure 4** on page 5) with your fingers. Once the Motor starts you can remove your thumb from the Lock-Off Button. If the Trimmer does not start, make sure the Battery Pack is charged and locked firmly into place in the Trimmer Housing.
3. To stop the Trimmer, simply release the Trigger ON/OFF Switch.

Using the Trimmer

Proper Trimming Stance

Balance your weight on both feet on solid ground keeping your forward arm with elbow locked in a "straight arm" position.

Basic Trimming Procedure (**Figure 6**)

Slowly swing the Trimmer from side-to-side.

TIP: Swing down the Wire Edge Guide to protect fence posts, foundations, plants, and shrubbery.

Edging with your Trimmer (**Figure 7**)

To convert the Trimmer for maintenance edging, first turn OFF the tool.

1. While holding the Lower Trimmer Tube with one hand, pull up on the Edger Adjuster (**Figure 7**) with the other and rotate the Trimmer Head clockwise (when viewed from the ON/OFF Switch end) until it stops (half turn) and release the Edger Adjuster. The Trimmer Head is now locked in the Edger position.
2. To operate as an Edger, position Trimmer above sidewalk as shown (**Figure 7**).
3. To return to the trimming position, turn the tool OFF, pull up on the Edger Adjuster, and rotate the Trimmer head counterclockwise until it stops and then release the Edger Adjuster.



Figure 6

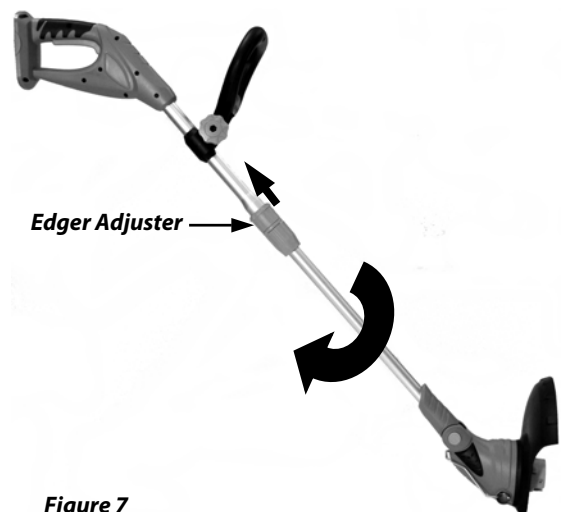


Figure 7

Line Feeding

Your NEUTON Battery-Powered String Trimmer uses .065" (1.65mm) diameter Nylon Line to cut grass and weeds quickly and easily. In time, the tip of the Nylon Line will wear and the Auto Feed mechanism will automatically feed and trim a fresh length of Line. The Cutting Line will wear faster if you trim heavier weeds or edge along sidewalks or other abrasive surfaces. The Line will extend approximately 1/4" with each Stop and Start of the ON/OFF Trigger Switch until the Line reaches the length of the Safety Guard Blade. Do not bump unit on ground in attempt to feed Line or for any other purpose.

Clearing Jams and Tangled Lines (Figure 8)

Occasionally, especially when cutting thick or stocky weeds, the Line Feeding Hub may clog with sap or other material and the Line will become jammed as a result. To clear the jam, follow these steps.

1. Turn OFF the Trimmer and remove the Battery Pack.
2. Press the Release Tabs on the Line Spool Cover and remove the Cover by pulling it straight off.
3. Lift the Spool of Nylon Line out of the Hub and clear any broken Line or cutting debris from the Spool area.
4. In case of jams and tangled Line, unwrap about one foot (30cm) of Line to ensure that it is undamaged. If it is OK, rewind it and insert the Line end through the Eyelet in the Spool Hub. Pull the Line through the Hole to maintain tension while placing the Spool back down into the Hub with the notched side exposed.
5. Press the Spool down GENTLY and rotate it until you feel it drop into place. When in place, the Spool will turn a few degrees left and right freely.
6. Snap the Spool Cover back on, insert the Battery Pack, and turn the Trimmer on. In a few seconds or less you will hear the Line being cut automatically to the proper length.

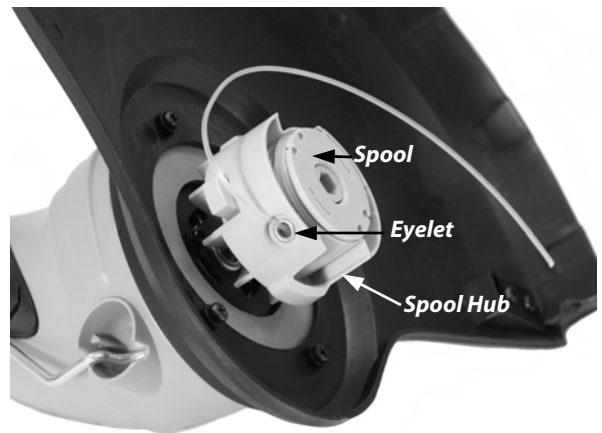
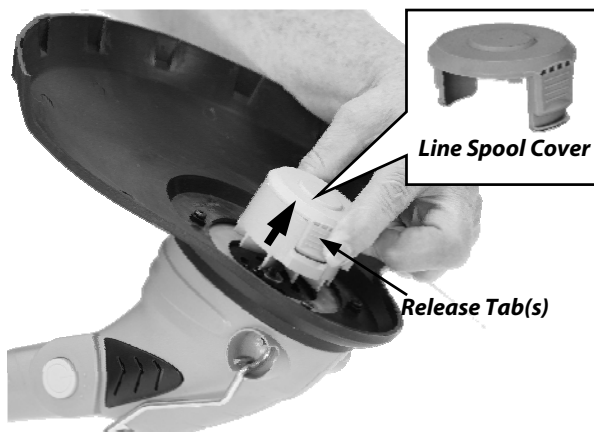


Figure 8

Rewinding Spool from Bulk Line

You can purchase Bulk Line (.065" diameter) for your NEUTON Battery-Powered String Trimmer at a local Lawn and Garden Store or purchase pre-wound replacement Spools by visiting our website at www.neutonpower.com.

To install Bulk Line, follow these steps:

1. Turn OFF the Trimmer and remove the Battery Pack.
2. Press the Release Tabs on the Line Spool Cover and remove the Cover by pulling it straight off (**Figure 8**).
3. Lift the Spool of Nylon Line out of the Hub and discard any remaining Line on the Spool.
4. Insert one end of the Bulk Line into the Hole in the Spool as shown (**Figure 9**).
5. Snugly and evenly, wind the Bulk Line onto the Spool in the direction of the Arrow until it is nearly full (about 10 feet of Line).
6. Insert the Line end through the Eyelet in the Spool Hub (**Figure 8**). Pull the Line through the Hole to maintain tension while placing the Spool down into the hub with the notched side exposed (**Figure 8**).
7. Press the Spool down GENTLY and rotate it until you feel it drop into place. When in place, the Spool will turn a few degrees left and right freely.
8. Snap the Spool Cover back on, insert the Battery Pack, and turn the Trimmer on. In a few seconds or less you will hear the Line being cut automatically to the proper length.

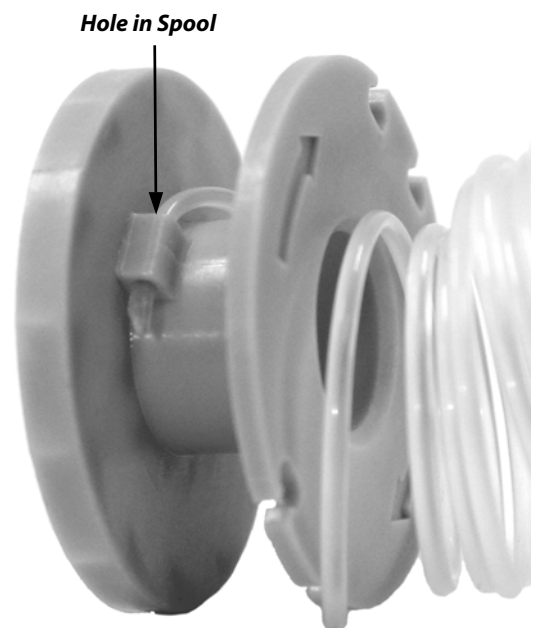


Figure 9

Chapter 4: Troubleshooting Your NEUTON Battery-Powered String Trimmer

Troubleshooting Tips

Most difficulties are easy to fix. Consult the Troubleshooting Table for common problems and their solutions. If you continue to experience problems or need repairs beyond these minor adjustments, visit our website at www.neutronpower.com or call Neutron Power Equipment Toll Free at: **1-866-NEUTON1 (638-8661)** for assistance.

! WARNING!

Always remove the Battery Pack before performing any adjustments, maintenance, or repairs to your Trimmer.

Troubleshooting Table

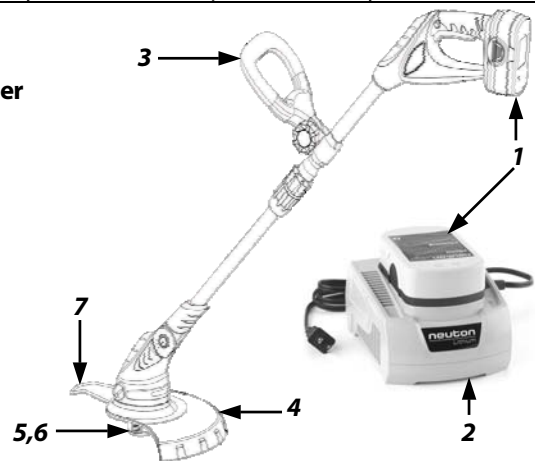
PROBLEM	CORRECTIVE ACTION
The Trimmer Motor fails to start.	⇒ Check that you installed the Battery Pack correctly and that the Battery Pack is fully charged. ⇒ Make sure that you fully push in the Lock-Off Button before squeezing the ON/OFF Trigger Switch.
The Battery Pack will not charge.	⇒ Check to see if the Battery Pack is all the way into the Charger. Insert the Battery Pack until the RED LED Light illuminates. ⇒ The Charger Power Supply is not in a working outlet. Check the outlet with a lamp or other appliance. ⇒ Check to see if the outlet that you are using for the Charger Power Supply is controlled from a wall switch. ⇒ The surrounding air temperature is too hot or too cold. Move Charger and Battery Pack to a location where the surrounding air temperature is between 32°F (0°C) and +80°F (+26.7°C).
The Line will not feed.	⇒ The Line tangled in the Spool. Unwrap 24" of Line and rewind.
The Line fails to cut off.	⇒ Line Cutter in Safety Guard is damaged or missing. Visit our website at www.neutronpower.com or call Neutron Power Equipment Toll Free at: 1-866-NEUTON1 (638-8661) for assistance.
The Battery loses its charge quickly.	⇒ The Battery Pack was probably not at full charge prior to trimming. Charge the Battery Pack, if necessary. NOTE: You will need to charge a new Battery Pack 2-3 times to achieve maximum trimming time. ⇒ The Battery Pack may be getting old. After some time, you will need to replace the Battery Pack.

Chapter 5: Parts List, Schematic Diagram, and Warranty

Parts List & Schematic Diagram NEUTON Battery-Powered String Trimmer

NOTE: Part numbers listed are available through Neutron Power Equipment

Ref#	Part#	Description
1	286391	Battery Pack (optional)
2	286411	Battery Pack Charger (optional)
3	289831	Auxiliary Handle Assembly
4	262191	Guard, Safety
	288701	4-Mounting Screws (Figure 2 , Page 4)
5	262201	Spool Assembly
6	262211	Spool Cover
7	262221	Wire Edge Guide



101123

2-Year Limited Warranty

Terms and Conditions

The NEUTON® Battery-Powered String Trimmer has a warranty for two (2) years against defects in materials or workmanship when put to personal residential household use. For the purposes of the warranty, "personal residential household use" refers to non-commercial residential use and further excludes misuse, accidents, or damage due to inadequate maintenance.

Neutron Power Equipment certifies that the NEUTON® Battery-Powered String Trimmer is fit for ordinary purposes for which a product of this type is used. Neutron Power Equipment however, limits the implied warranties of merchantability and fitness in duration to a period of two (2) years in personal residential household use.

The 2-Year Limited Warranty on the NEUTON® Battery-Powered String Trimmer starts on the date the tool shipped from our factory. The 2-Year Limited Warranty is applicable only to the original owner.

The owner is responsible for the performance of all the required maintenance as defined by the manufacturer's owner manual.

The owner is responsible for the replacement of normally wearing parts such as the Battery Pack, Safety Guard, Cutting Cord, and the Wire Edge Guide.

During the warranty period, the owner is responsible for all shipping and transportation charges, if required.

SOME STATES DO NOT ALLOW LIMITATIONS ON THE LENGTH OF IMPLIED WARRANTIES, SO THE ABOVE LIMITATIONS MAY NOT APPLY TO YOU. SOME STATES DO NOT ALLOW THE EXCLUSION OR LIMITATION OF INCIDENTAL OR CONSEQUENTIAL DAMAGES, SO THE ABOVE LIMITATIONS MAY NOT APPLY TO YOU.

Neutron Power Equipment shall not be liable under any circumstances for any **incidental or consequential damages or expenses** of any kind, including, but not limited to, cost of equipment rentals, or cost of hiring services to perform tasks normally performed by the NEUTON® Battery-Powered 22" Hedge Trimmer. THIS WARRANTY GIVES YOU SPECIFIC LEGAL RIGHTS, AND YOU HAVE OTHER RIGHTS, WHICH VARY FROM STATE TO STATE.

NOTES:

Daily Checklist, Cleaning and Storing for your NEUTON Battery-Powered String Trimmer

To help maintain your NEUTON Trimmer for optimum performance, we recommend you follow this checklist each time you use your Trimmer.

WARNING!

Do not insert the Battery Pack until you have completed all of the daily checks.

- [] **BATTERY PACK:** Make sure the Battery Pack has a full charge.
- [] **INSPECT:** Before inserting the Battery Pack, inspect for any visible damage to the Spool or Motor Housing.
Inspect the Safety Guard and remove any debris from the Trimmer.
- [] **NOISES:** If you notice anything unusual, such as a vibration or odd sound, shut the Trimmer OFF immediately. Remove the Battery Pack and check the Trimmer for any damage.
If you cannot find the cause of the problem or are uncertain what to do, then have the Trimmer inspected by a qualified repair shop before using it or visit our website at www.neutonpower.com.

CAUTION!

- Remove the Battery Pack and allow the Trimmer to cool for at least five (5) minutes before servicing or storing.
- If you drop the Trimmer, carefully inspect it for damage. If the Battery is damaged, Safety Guard is broken, Housing cracked, or Handles broken or if you see any other condition that may affect the Trimmer's operation, visit our website at www.neutonpower.com or call Neuton Power Equipment Toll Free **1-866-NEUTON1 (638-8661)** for assistance before putting it back into use.

Cleaning the Trimmer

Use only mild soap and a damp cloth to clean the Trimmer. Never let any liquid get inside the Trimmer Housing and NEVER immerse any part of the Trimmer Housing into a liquid.

Storing

- [] Always, store the Trimmer with a full Battery Pack charge.
- [] Do not store the Trimmer near chemicals, such as fertilizers, organic or other solvents. Do not expose brake fluids, gasoline, petroleum-based products, penetrating oils, etc., to the plastic parts of the Trimmer. These products are often highly corrosive and may cause permanent damage, weaken, or destroy the plastic to your Trimmer.
- [] When not in use, your NEUTON Battery-Powered String Trimmer should be stored indoors in a dry and high or locked-up place, out of reach of children.
- [] For superior Battery Pack performance, always store the Battery Pack and Charger in a **DRY** environment with temperatures between 32°F (0°C) and +80°F (+26.7°C). Storing above +80 °F can cause Battery Pack leakage, rust, or degradation of the Battery Pack performance. The lower the storage temperature is within the specified range, the better. The Battery Pack will discharge more slowly at low temperatures. Charge the Battery Pack for 30-60 minutes, until fully charged, prior to storage and then every one (1) to two (2) months; and then again prior to the first seasons use. To prevent permanent damage to the Battery Pack, never store it in a discharged condition. Be sure to remove the Battery Pack from the Charger after charging. In addition, you can safely keep the Battery Pack in your tool when storing for the long term.

WARNING!

Do not store the Battery Pack near children or pets, with metal objects that could short circuit the terminals, or close to a source of heat, sparks, open flame or on the floor as it may be damp or subject to accidental flooding. In addition, never expose the Battery Pack to abnormal shaking or shocks. Regularly observe the external appearance of the Battery Pack. Never use a Battery Pack that shows cracks, changes shape, or obviously damaged.

Copyrights and Trademarks

©2011 Neuton Power Equipment, a division of Country Home Products
NEUTON and NEUTON logo are trademarks of Country Home Products
All rights reserved.

Documentation

Produced in China for Neuton Power Equipment

Neuton Power Equipment

75 MEIGS ROAD, VERGENNES, VERMONT 05491