

DR[®] FIELD and BRUSH MOWER



GRADER/SNOW BLADE INSTALLATION AND OPERATING INSTRUCTIONS

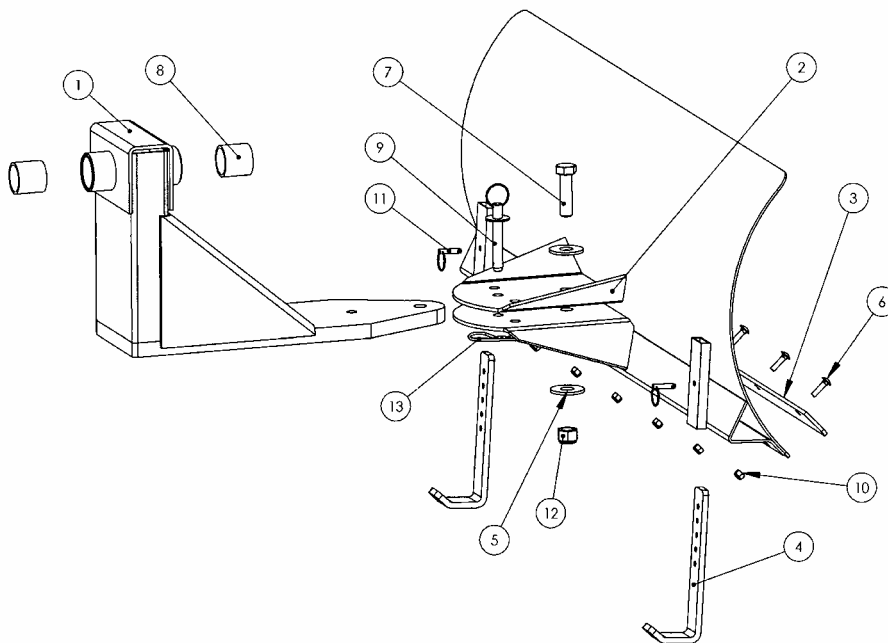


WARNING!

DISCONNECT SPARK PLUG WIRE BEFORE PERFORMING THIS INSTALLATION.

The Grader/Snow Blade is designed to distribute loose soil or gravel and to clear snow from hard surfaces.

The diagram and Parts List below show all the items that should be included with your attachment. Please take a moment to review the contents of your package before starting your installation to insure that all parts have been included.



Ref #	Part #	Description
1	160001	Swivel Attachment
2	160011	Blade
3	160021	Wear Edge
4	157491	Skid
5	157451	Washer, Flat, 5/8" USS
6	157471	Bolt, 1/4" -20 x 1", Carriage
7	157441	Bolt, HCS, 5/8" – 11 x 2-1/4"

Ref #	Part #	Description
8	150721	Bushing, 1.38" ID x 1.63" OD
9	157481	Pin, Bent Arm, 1/2" x 3"
10	110731	Nut, Nylon Lock, 1/4" -20
11	157461	Pin, Detent Ring, 1/4" x 3/4"
12	101311	Nut, Nylon Lock, 5/8 - 11
13	160031	Pin, Hitch Clip, 1/2"to 9/16"

(over please...)

Installation

Please refer to the drawing on other side.

1. Remove the brush mowing deck and blade drive belt. The blade drive belt should also be completely removed from the engine pulley before installing the Grader/Snow Blade. Follow the directions in your DR[®]FIELD and BRUSH MOWER *Safety & Operating Instructions*.
2. Mount the swivel attachment (#1) to the Grader/Snow Blade (#2) using the bolt (#7), washer (#5) and nut (#12) provided.
3. Mount the Grader/Snow Blade to the shaft on the power unit. Attach the original collar and pin that came with your mower to secure it.
4. Adjust the two skids (#4) so the blade does not touch the ground. There should always be clearance between the blade and the ground.
5. Adjust the angle of the blade (left, straight, or right) by moving the pin (#9) to the desired hole.

Operation

- The Grader/Snow Blade is designed to distribute loose gravel or dirt in small quantities and for use in snow. Use with rocky or hard packed material could result in personal injury and/or damage to the machine, and will void your DR[®] FIELD and BRUSH MOWER warranty.
- We recommend you use DR[®] Tire Chains (#156521) when using the Grader/Snow Blade for use in snow. For more information on DR[®] Tire Chains, visit our website (www.DRpower.com) or call the Toll-Free number listed below.
- When plowing snow, adjust the skids so there is no ground contact with the blade. When grading, adjust the height of the skids to provide an even distribution of material.
- Use 1st or 2nd gear only when using the Grader/Snow Blade.
- If material is wet or heavy, push with 1/2 the width of the blade on each pass. Adjust the amount of material you try to move to the current conditions.

If you have any questions, please call one of our Technical Support Representatives at:

1-800-DR-OWNER(376-9637)

MONDAY-FRIDAY 8:00 AM to 7:00 PM

SATURDAY 8:30 AM-5:00 PM

CLOSED SUNDAY

DR[®] POWER EQUIPMENT 127 Meigs Road , Vergennes, VT 05491

A division of Country Home Products[®]