



# **NEUTON™ Trimmer**

**An Attachment to the  
NEUTON Cordless Electric Mower  
and the NEUTON Power Pod**

## ***NEUTON Cordless Electric Trimmer Safety & Operating Instructions***

Model: MA 3.0

COUNTRY HOME PRODUCTS®, INC.  
[www.neutonowners.com](http://www.neutonowners.com)

# THANK YOU!

Dear NEUTON Owner,

Thank you for purchasing the NEUTON™ Cordless Electric Trimmer Attachment!

This incredibly handy, patented device enables you to put the finishing touches on your lawn. No more second, or even third trips around your property to trim around hard-to-reach spots, or to edge along walkways, driveways, and garden borders with separately-powered equipment.

This attachment makes your NEUTON the only mower in the world that also trims and edges! You'll wonder why no one ever thought of this smarter way to maintain your lawn before.

Please take a few minutes to read this manual, to familiarize yourself with the proper use of this work-saving attachment. And if you have any questions at all — now or in the future — please call us, toll-free, at 1-(866)-NEUTON1 (638-8661), and one of our Technical Support Representatives will be happy to assist you.

Thank you again for choosing the NEUTON — the new idea in lawn care!

Sincerely!



for all of us at...  
Country Home Products, Inc.



Country Home Products®, Inc.  
Meigs Road  
P.O. Box 25  
Vergennes, VT 05491

*Toll-free phone:* 1-(866)-NEUTON1 (638-8661)

*Fax:* 1-(802)-877-1213

*Web site:* [www.neutonowners.com](http://www.neutonowners.com)

*E-mail:* [info@chp.com](mailto:info@chp.com)

COPYRIGHT AND TRADEMARKS

©2004 Country Home Products®, Inc. NEUTON™ and the NEUTON logo are trademarks of Country Home Products, Inc. All rights reserved.

DOCUMENTATION

Written by PDI Creative Communication

---

# Table of Contents

<b>Chapter 1: Introducing the NEUTON Trimmer</b> .....	<b>1</b>
About this Manual .....	1
<b>Chapter 2: Important Safety Considerations</b> .....	<b>2</b>
Safety and Information Labels .....	2
Protecting Yourself and Those Around You .....	3
Dressing Appropriately .....	3
Preparing to Use Your Trimmer .....	3
Operating Your Trimmer .....	4
Servicing Your Trimmer .....	5
Maintaining and Storing Your Trimmer .....	5
<b>Chapter 3: Using Your NEUTON Trimmer</b> .....	<b>6</b>
Before Starting .....	7
Attaching and Removing the Trimmer .....	8
Adjusting the Trimmer .....	9
Trimming and Edging Positions .....	11
Starting Your Trimmer .....	12
Stopping Your Trimmer .....	12
Advancing the Cord .....	13
Tips for Using Your Trimmer .....	13
<b>Chapter 4: Maintaining Your NEUTON Trimmer</b> .....	<b>14</b>
Cleaning Your Trimmer .....	14
Replacing the Spool .....	15
Replacing the Cartridge Housing .....	15
Removing the Trimmer Shield .....	15
<b>Addendum A: Parts List and Schematic Drawing</b> .....	<b>16</b>
Schematic Drawing .....	18



---

# Chapter 1: Introducing the NEUTON Trimmer

Thank you for purchasing the NEUTON Trimmer Model MA 3.0 (*Figure 1*).

This manual will help you safely operate your new Trimmer with your NEUTON Mower and NEUTON Power Pod. Carefully adhering to the safety and operating instructions in this manual will ensure many years of productive use.

If you have any questions, please call toll-free 1-(866)-NEUTON1 (638-8661) and one of our Technical Support Representatives will be happy to assist you.

To familiarize yourself with the operation and use of your Trimmer, please read this entire manual before attaching and using your Trimmer. We hope you will enjoy many years of satisfied use with your NEUTON Trimmer attachment.



*Figure 1. NEUTON Trimmer*

## About this Manual

This manual is organized into the following chapters:

### **Chapter 1:** Introducing the NEUTON Trimmer

- Explains the organization of this manual.
- Provides contact information for Country Home Products, Inc.

### **Chapter 2:** Important Safety Considerations

- Explains guidelines for safe operation of your NEUTON Trimmer.

### **Chapter 3:** Using Your NEUTON Trimmer

- Provides instructions for starting and stopping the machine's motor.
- Explains the many cutting and trimming features of your machine.

### **Chapter 4:** Maintaining Your NEUTON Trimmer

- Provides machine maintenance tips.

In addition to these chapters, the manual includes a parts list, a schematic drawing of the NEUTON Trimmer, a section for your notes, and your warranty.

## Conventions used in this manual



**WARNING!** The exclamation point within an equilateral triangle alerts you to essential operating, safety, and maintenance (servicing) instructions.

**Important:** This information is important for the proper use of your machine. Failure to follow this instruction could result in injury to you or damage to your Trimmer.



This is a helpful hint to guide you in getting the most out of your Trimmer.

**Note:** This information may be helpful to you in using your Trimmer.

# Chapter 2: Important Safety Considerations

We want you to enjoy years of safe and productive use from your Trimmer attachment for your NEUTON Cordless Electric Mower or NEUTON Power Pod. We don't want you to get injured, so please take a few moments to read the following guidelines for safely operating your new machine.

**Important:** Please read these safety considerations before using your Trimmer.

## Safety and Information Labels

You will find the following label on your NEUTON Trimmer.

**WARNING**  
AVOID SERIOUS INJURY

- Read operator's manual before using
- Do not use when children and others are around
- Wear goggles or glasses to protect eyes
- Clear away stones, sticks and other debris before using
- Trimmer can throw objects and injure eyes

**BEFORE STARTING**

- Turn off machine and remove safety key
- When using with mower, adjust wheel height to the highest level (level 6)
- Check that string cartridge is properly attached to the trimmer
- Attach trimmer by sliding trimmer posts into slots in front of machine (posts should snap into place when properly attached)
- Set trimmer body to cut on either left or right side
- Adjust trimmer head and housing to appropriate position for trimming or edging use
- When using with mower, move Mower/Auxiliary Switch on handlebar to Aux  position

**STARTING/STOPPING**  
See Instructions on flap of machine for proper operation of power unit

**CHANGING BETWEEN MOWER AND TRIMMER MODE**  
[when using with NEUTON™ Mower]

- Stop Motor
- Change Mower/Auxiliary Switch to appropriate mode
- Start mower

**Note:** You must stop the motor before changing modes.

**OPERATING TIPS**

- The trimmer cord should advance automatically every time you stop and start the trimmer. If not, you can manually advance cord by pushing white button on head and pulling cord. If cord is too long it will automatically cut to length when trimmer is started.
- To access cord spool, remove cartridge cover. It is not necessary to remove entire cartridge to access cord spool.
- Clean trimmer head frequently to keep cooling vents and air intake holes free of debris.

Country Home Products, Inc.  
Meigs Road, P.O. Box 25 Vergennes  
Vermont 05491

1-866-NEUTON1 [www.myneuton.com](http://www.myneuton.com)

Produced in Taiwan R.O.C. exclusively  
for Country Home Products, Inc.



CORDLESS OUTDOOR POWER EQUIPMENT

MA 3.0

*Trimmer Warning and Safety Instructions label (195971)*



*Trimmer Danger label (195941)*

## Protecting Yourself and Those Around You

Tragic accidents can occur if the operator is not alert to the presence of children. Children are often attracted to the Trimmer and the trimming activity. Never assume that children will remain where you last saw them.



**WARNING!** This cutting machine is capable of amputating hands and feet and throwing objects. Failure to observe the following safety instructions could result in serious injury or death.

- Be sure the area is clear of other people before using your Trimmer. Do not allow children, other bystanders, or pets in your work area when the Trimmer is being operated. Stop the Trimmer if anyone enters the area.
- Keep children out of the trimming area and under the watchful care of a responsible adult.
- Be alert and turn the Trimmer off if children enter the area.
- Only allow responsible individuals who have a thorough understanding of these instructions to operate the Trimmer. Never allow children to operate the Trimmer.
- Before and while pulling the Trimmer backwards, look behind and down for small children and for secure footing.
- Use extra care when approaching blind corners, shrubs, trees, or other objects that may obscure your vision.
- If you are ever unsure about an action you are about to take, please don't do it.

## Dressing Appropriately

- Always use safety goggles or glasses when using your NEUTON Trimmer to protect your eyes from possible thrown objects. Use a face or dust mask if operating in dusty conditions.
- Wear shoes with non-slip treads when using your Trimmer. If you have safety shoes, wear them. Do not use the Trimmer while barefoot or wearing open sandals.
- Wear long pants while trimming.
- Avoid wearing loose clothing or jewelry that might be caught in the Trimmer's moving parts.

## Preparing to Use Your Trimmer

- Read, understand, and follow all instructions on the Trimmer and any related manuals. Be thoroughly familiar with the controls and the proper use of the machine before starting.
- Never operate the NEUTON Trimmer, Mower, or Power Pod without the proper guards, safety switches, or other safety and protective devices in place and properly connected. Inspect the Trimmer, Mower or Power Pod and cutting cord to determine that these safety devices are properly installed, in good repair, and operate properly. If the condition or operation of these devices is questionable, they must be repaired or replaced before using the machine.
- Follow the instructions for the proper installation and operation of accessories. Use only accessories approved by the manufacturer. Do not alter any aspect of the Mower, Power Pod, attachments, or accessories in any way. Modifying or changing your Trimmer in any way could cause personal injuries and property damage, and will void your warranty.

- Thoroughly inspect the area where the Trimmer is to be used, and remove all stones, sticks, wire, pet supplies or lawn toys, and any other foreign objects that could be thrown by the Trimmer cord. Objects struck by the Trimmer cord can cause severe injuries. Also note the location of holes, ruts, bumps, stumps, and other possible hazards.
- Trim only in daylight or in an area well-lit by artificial light.

## Operating Your Trimmer



**WARNING!** ALWAYS stop the motor, wait for the cord to stop moving, and remove the safety key whenever you leave the Trimmer for any reason. This includes inspecting and cleaning the Trimmer, performing routine maintenance, clearing grass, making adjustments, repairing the Trimmer, and removing or attaching other accessories.

- Do not force the Trimmer forward in thick grass. Your NEUTON Trimmer will do a better and safer job when cutting at a steady rate.
- Do not insert the safety key into the Mower or Power Pod until you are ready to operate the machine. Store the safety key away from children and people not authorized to use the machine.
- The cutting cord always turns when the motor is running. Learn how to quickly stop the machine — simply release the control bar. Remember that the cord will continue to rotate for up to three seconds after the Mower's or Power Pod's motor has stopped.
- Do not put your hands or feet near the spinning cutting cord or under the machine. Keep clear of the discharge area at all times.
- Only use the Trimmer for trimming grass, weeds, and other vegetation.
- Never operate the Trimmer in the rain or when the grass is wet. Always be sure of your footing.
- Keep a firm hold on the handle, and walk — never run.
- Use extreme caution when maneuvering backwards. Always look first to check your footing, look down and behind you before moving backwards.
- Stop the motor when crossing over loose materials such as gravel drives, walks, or roads, as objects discharged by the machine can be hazardous.
- After striking a foreign object, or if the machine vibrates abnormally, stop the motor and remove the safety key. Inspect the machine for any damage and repair the damage before restarting and operating the Trimmer.
 

**Note:** Excessive vibration is generally a sign of trouble.
- Stay alert and watch what you are doing.
- Do not operate the Trimmer when you are tired or under the influence of drugs or alcohol.
- Do not use your Trimmer for any job other than those for which it is intended.



## Operating on Slopes

Slopes are a major factor related to slip-and-fall accidents, which can result in severe injury. All slopes require caution. If you feel uneasy on a slope, do not trim it.

*Do:*

- Use caution on slopes. Whenever possible, trim across slopes, not up and down. Exercise caution when changing directions on slopes.
- Remove objects such as rocks and tree limbs, or any other potential object that could be thrown by the cutting cord. Objects struck by the Trimmer cutting cord can cause severe injuries.
- Watch for holes, ruts, or bumps. Tall grass can hide obstacles.

*Do Not:*

- Do not edge or trim steep slopes or other areas where stability or traction is in doubt.
- Do not edge or trim near drop-offs, ditches, or embankments. You could lose your footing or balance.
- Do not edge or trim on wet grass. Unsure footing could cause you to slip.

## Servicing Your Trimmer

- Never make adjustments or repairs when the motor is running. Remove the safety key to prevent accidental starting.
- Keep all nuts and bolts tight, especially blade attachment bolts, and keep the equipment in good condition.
- Never tamper with safety devices. Check their proper operation regularly.
- Keep the Trimmer free of grass, leaves, or other debris build-up.
- Allow the Mower and Trimmer to cool for at least 5 minutes before servicing or storing.

## Maintaining and Storing Your Trimmer



**WARNING!** Always remove the safety key and battery before performing any adjustments or repairs, or storing your machine.

- Maintain the Trimmer with care. Follow the instructions in this manual.
- Do not operate the machine if it does not start normally or does not stop normally when the control bar is released.
- Keep the Trimmer clean and dry. Use a damp cloth or sponge with a mild soap or detergent when cleaning your Trimmer. Never use water, gasoline, solvents, or other petroleum-based or solvent-based products when cleaning — remember, this is an electric machine.
- When not in use, store the Trimmer indoors in a dry place and out of the reach of children.

**Note:** Country Home Products, Inc. reserves the right to discontinue, change, and improve its products at any time without notice or obligation to the purchaser. The descriptions and specifications contained in this manual were in effect at printing. Equipment described within this manual may be optional. Some illustrations may not be applicable to your machine.

---

## Chapter 3: Using Your NEUTON Trimmer

The NEUTON Trimmer is a versatile machine that trims and edges your lawn without your having to buy both a separate trimmer and edger. You can also adjust the angle and direction of the Trimmer to cut in different positions. In addition, you can trim on either the right or left side of your machine!

The Trimmer is powered by your NEUTON Mower or NEUTON Power Pod. The Trimmer quickly and easily attaches to the front of the Mower (*Figure 2*) or Power Pod (*Figure 3*).

The Mower is described in a separate manual, the *NEUTON™ Cordless Electric Mower EM 4.1 Safety & Operating Instructions*, which you should have received with your Mower.

The Power Pod is described in a separate manual, the *NEUTON™ Power Pod EP 1.1 Safety & Operating Instructions*, which you should have received with your Power Pod.

If you have any questions about any of these products, please contact Country Home Products at 1-(866)-NEUTON1 (638-8661) or visit us on the Web at [www.neutonowners.com](http://www.neutonowners.com).

The NEUTON Trimmer is shipped fully assembled and ready to use with your Mower or Power Pod. Also included are two replacement cord spools for the Trimmer.



*Figure 2. NEUTON Trimmer attached to your NEUTON Mower*



*Figure 3. NEUTON Trimmer attached to your NEUTON Power Pod*

## Before Starting

**Important:** Before you install your new NEUTON Trimmer or begin using it, take the time to carefully and completely read the information in “Chapter 2: Important Safety Considerations.” Also, read the other chapters in this manual to familiarize yourself with the Trimmer before installing and operating it.



**WARNING!** Remove the safety key from your Mower or Power Pod until you have completed all of the pre-start checks, installed the Trimmer, and moved to the work area.

Perform the following checks before operating your Trimmer each time.

- Make sure all bolts, attachments, and covers are in place and securely attached. Inspect for any visible damage to the Trimmer, and remove any accumulation of dirt, dust, or dried grass clippings.
- Make sure that the cord spool is properly attached to the Trimmer.
- Be sure the battery is fully charged.
- If you are using the Trimmer with the NEUTON Mower, be sure the Mower/Auxiliary Switch is set to Auxiliary.
- Push the machine (before starting it) to the area to be edged or trimmed.

# Attaching and Removing the Trimmer

Attaching and removing your Trimmer is quick and easy; just a few simple steps.

## Attaching the Trimmer

When attaching the Trimmer, it is easiest to have the housing in edge mode and have the head turned up (position 4). This assures that the Trimmer head is out of the way and will not hit the ground when sliding into position. (Please refer to “Adjusting the Trimmer” on page 9 for details on adjusting the Trimmer housing and head.)

1. If attaching the Trimmer to your Mower, adjust the cutting height lever to position 6, setting the cutting height to its highest level.
2. Slide the Trimmer posts into the slots in the front of the Mower or Power Pod (*Figure 4*). The posts snap into place when properly attached.



*Figure 4. Attaching the Trimmer*

## Removing the Trimmer

1. Hold the Trimmer posts and push down the orange release button with your right thumb (*Figure 5*).
2. Slide the Trimmer out of position. Once it has started to slide out, you can release the orange button.



*Figure 5. Push down the orange button to remove the trimmer*

## Adjusting the Trimmer

Before adjusting your Trimmer, you must first decide to edge or trim your lawn. Then you must decide the angle to use that will best accomplish the job.

- You set the trimmer *housing* for edging or trimming.
- You set the trimmer *head* for the angle of the cut.

Make sure that both the housing and head (*Figure 6*) have been set to the proper positions — set for either trimming or edging, and set to the proper cutting angle — before using your Trimmer.

Please review *Figures 7 through 10* to become familiar with the parts and settings of your Trimmer. This will help you better understand the instructions for positioning your Trimmer.

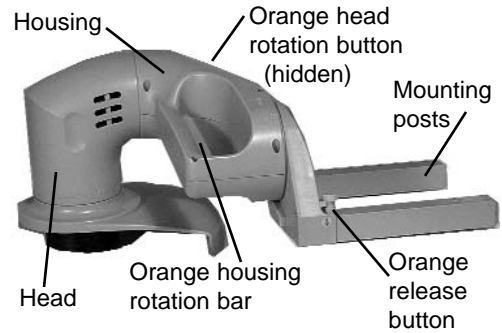


Figure 6. Parts of the Trimmer

## Setting the Trimmer Housing

The Trimmer housing has two clearly marked settings: one for trim and one for edge (*Figure 7*). (This figure also shows the position marks for setting the cutting angle).

You can set the Trimmer housing to any of these clearly marked positions:

- Trim on the right side as you push.
- Trim on the left side as you push.
- Edge on the right side (only) as you push. (The Trimmer cannot be set to edge on the left side.)

Switch between the Edge and two Trim positions to set the housing to the proper setting.

1. Squeeze the orange housing rotation bar and hold it (*Figure 8*).
2. Begin to twist the housing to the desired position.
3. Release the handle when you reach the desired position. The housing locks into the setting position.

Make sure the housing snaps securely into place.

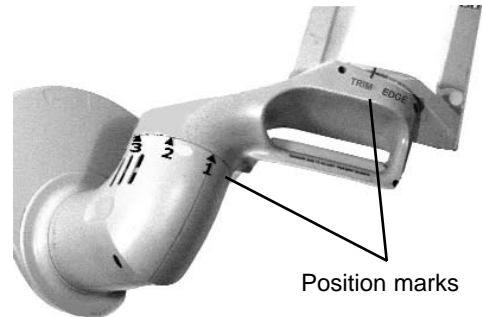


Figure 7. Trimmer setting: Trim or Edge on the body; Cutting angle positions on the head



Figure 8. Squeeze the orange handle to adjust the body to trim or edge

## Setting the Trimmer Head

The Trimmer head sets the cutting angle for trimming or edging. The head has one setting for trimming and three settings for edging. To set the head, simply twist it to the desired position.

You can set the Trimmer head to any of these clearly marked positions:

- Trimming: Position 1
- Edging horizontally: Position 2
- Edging at a 45 degree angle: Position 3
- Edging vertically: Position 4

You can rotate among the four Trimmer head settings.

1. Pull the orange head rotation button and hold it (*Figure 9*).
2. Begin to twist the head to the position for the desired cutting angle.
3. Release the button when you reach the desired cutting position. The head locks into the position.

Make sure the head snaps securely into place.

To trim on the left side, rotate the trimmer head 180° then set the trimmer housing to right trim. (Please refer to *Figure 10-Rotate* and *Figure 10-Left Trim* on the next page.)



*Figure 9. Pull the orange head rotation button to twist the head to the cutting position*

## Trimming and Edging Positions

You can choose from two different trimming positions: left side or right side. Or you can choose from three different edging positions. *Figure 10* not only shows these different positions, but also tells you the appropriate Trimmer head and housing settings.



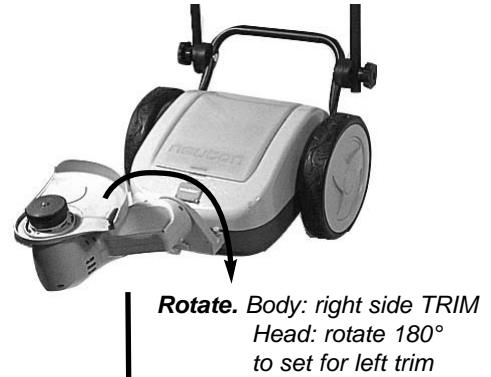
**Edge 2.** Body: EDGE  
Head: position 2



**Edge 3.** Body: EDGE  
Head: position 3



**Edge 4.** Body: EDGE  
Head: position 4



**Rotate.** Body: right side TRIM  
Head: rotate 180°  
to set for left trim



**Right Trim.** Body: right side TRIM;  
Head: position 1



**Left Trim.** Body: left side TRIM  
Head : position 1  
(after rotating 180°)

*Figure 10. The edging and trimming positions*

## Starting Your Trimmer

To start your Trimmer, you must first attach it to the Mower or Power Pod, then start that machine. The battery in either the Mower or Power Pod powers the Trimmer, making it spin. Make sure the battery is fully charged before you begin.

1. If you are using your Trimmer on the NEUTON Mower, set the Mower/Auxiliary switch to Auxiliary (*Figure 11*).

**Note:** The blade on your Mower does not turn when the Mower/Auxiliary switch is set to Auxiliary.

2. Insert the safety key into the key slot. The green indicator light should come on.
3. Slide the orange start knob to the left.
4. Squeeze and hold the orange control bar.
5. The Trimmer starts (it may take several seconds).

Continue to hold the control bar for as long as you want the motor to run.

**Note:** For more detailed instructions on starting your Mower or Power Pod, please refer to the appropriate manual shipped with that machine.



*Figure 11. Set the Mower/Auxiliary switch to Auxiliary*

## Stopping Your Trimmer

Simply release the control bar to stop the Trimmer.

**Important:** The Trimmer will continue to rotate for a few seconds. Wait for the motor to stop before restarting or moving the Mower or Power Pod.

If you are finished trimming or edging, remember to remove the safety key.



## Advancing the Cord

Each time the Trimmer starts or comes to a complete stop, the Trimmer's cutting cord automatically advances and cuts itself to the proper length.

You can also manually advance the cord.

1. Release the orange control bar to stop the Mower or Power Pod.
2. Remove the safety key.
3. Push the white button on the side of the cartridge housing and pull the cord to advance it (Figure 11). The cord advances in small increments, so you might have to press the button a few times.

**Important:** Try not to advance the cord too much.

If the cord is too long, the cutter on the Trimmer shield automatically trims the length of the cord (Figure 12).



**WARNING!** Be careful: the excess cord will fly off when you start the Trimmer and could be dangerous.



Figure 12. Manually advancing the cord



Figure 13. Automatically cutting the cord

## Tips for Using Your Trimmer

Following these tips will enhance the performance of your Trimmer:

- Always stop the Mower before toggling the Mower/Auxiliary switch.
- If you are using your Mower, you can adjust the cutting height of the Trimmer by raising or lowering the Mower's cutting height level. Make sure you first stop the Mower and remove the safety key before changing the height.
- Stop the Mower or Power Pod and remove the safety key before changing the position of the Trimmer head or housing.
- The battery runs down more quickly in edger mode. You can realistically expect up to 45 minutes of use in edger mode, and approximately one hour in trim mode. This is when having an extra charged battery comes in handy. Be sure to remove the safety key when you change the battery.
- Be sure to clean the Trimmer head frequently, keep the cooling vents and air intake holes free of debris.

---

## Chapter 4: Maintaining Your NEUTON Trimmer

This chapter explains how to clean your Trimmer, replace the spool, change the cartridge, and remove the Trimmer shield.



**WARNING!** ALWAYS remove the safety key and the battery from the NEUTON Mower and Power Pod before performing any adjustments, maintenance, spool changes, or repairs to your Trimmer.

### Cleaning Your Trimmer

Periodically, clean your Trimmer to ensure peak performance.

**Supplies needed:**

- Clean, damp cloth or sponge
  - Mild soap or detergent (if needed)
  - Soft nylon brush (if needed)
1. Remove the safety key and battery from the NEUTON Mower or Power Pod, and remove the Trimmer from the machine.
  2. Using a damp cloth or sponge with a mild soap or detergent, clean the Trimmer.
  3. Use a soft nylon brush or non-metallic scrubbing pad to remove any clippings that have accumulated on the Trimmer. Do not use a wire brush; it will scratch and harm the surface of your Trimmer.
  4. Remove any grass or weeds that are wound around the spool.

## Replacing the Spool

Replace the spool when the cord runs out.

1. Remove the green cartridge cover.  
Using two fingers, press the clips on the side of the cartridge housing (*Figure 14*) and push them up slightly towards you. The green cover pops up part way; remove it. (The outer black cartridge housing stays on the Trimmer.)
2. Remove the spool.
3. Thread the end of the new cord through the metal opening on the cartridge housing.
4. Insert the new spool with the printed side facing out (so you can read it).

**TIP** Try gently pulling on the cord to help seat the spool.

5. Replace the green cover. Make sure the clips in the cover align with the slots in the cartridge housing. If they don't, press the clips and turn the cartridge housing until the clips and slots align. The clips must snap securely into place.

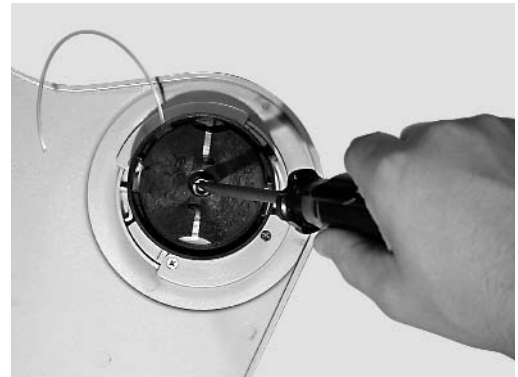


*Figure 14. Removing the green cartridge cover*

## Replacing the Cartridge Housing

You only need to replace the cartridge housing if it is damaged or cracked. You do not need to remove the shield to replace the cartridge. If the cord runs out, you need only change the spool.

1. Remove the green cartridge cover. (See “Replacing the Spool” for details.)
2. Using a flat-head screwdriver, hold the shaft in place (*Figure 15*). Don't let it turn.
3. Unscrew the cartridge with your hand and remove it, turning counterclockwise.
4. Replace a new cartridge.
5. Using the screwdriver to hold the shaft in place, tighten the entire cartridge by hand.



*Figure 15. Hold the shaft steady while removing and replacing the cartridge housing*

## Removing the Trimmer Shield

You do not need to ever remove the Trimmer shield unless it is cracked or broken.

To remove the shield, simply unscrew (counterclockwise) the three small set screws that hold the shield in place. Install the new shield, and screw in the set screws. Make sure they are snug.

---

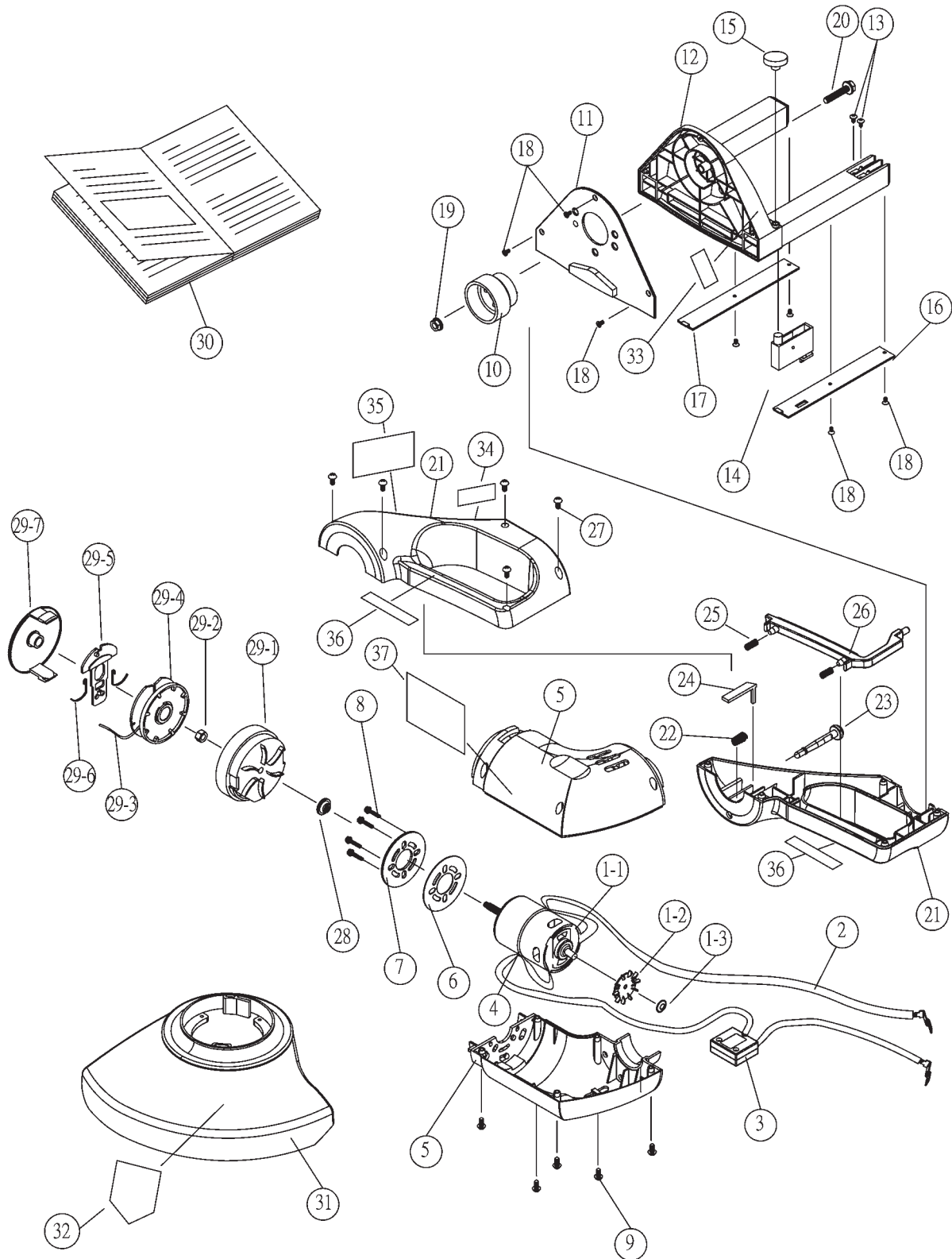
## Addendum A: Parts List and Schematic Drawing

The item number for each part corresponds to the numbers in the schematic drawing.

Item #	Description	Qty.	Part Number
1	Motor set (parts 1-1, 1-2, 1-3, 2, 3, 4)	1	176891
1-1	Motor	1	195691
1-2	Fan	1	195701
1-3	Fan nut	1	195711
2	Motor cable and electrical contacts	1	195721
3	Motor cable, safety switch, elec contacts	1	195731
4	Zip tie for motor	1	195741
5	Trimmer head housing (top & bottom)	1	195751
6	Motor insulation gasket	1	176941
7	Motor mounting plate	1	176951
8	Motor mounting plate screws and washers	4	195761
9	Trimmer head screws	5	176991
10	Axle	1	176851
11	Pillar base cover plate	1	195771
12	Pillar base and electrical contacts	1	195781
13	Contact screws	2	176811
14	Trimmer release button housing	1	195791
15	Orange trimmer release button	1	195801
16	Pillar cover (right)	1	195811
17	Pillar cover (left)	1	195821
18	Pillar screws	7	195831
19	Axle nut	1	176861
20	Pillar bolt	1	176871
21	Handle housing (top & bottom)	1	195841
22	Connection spring	1	195851
23	Orange head rotation button (pull)	1	195861
24	Spring fixed holder	1	195871
25	Housing rotation bar springs	2	177021
26	Housing rotation bar	1	195881
27	Housing screws	5	176991
28	Cartridge housing copper nut	1	177031

<b>Item #</b>	<b>Description</b>	<b>Qty.</b>	<b>Part Number</b>
29	Cutter head assembly (parts 29-1 to 29-7)	1	177051
29-1	Cartridge housing	1	195891
29-2	Cartridge nut	1	177121
29-3	Trimmer cord	1	177091
29-4	Trimmer cord spool	1	177071
29-5	Cord feeding driver	1	195901
29-6	Cartridge metal springs	2	177131
29-7	Green cartridge cover	1	195911
30	<i>Trimmer Safety &amp; Operating Instructions</i>	1	195921
31	Trimmer shield	1	195931
32	Trimmer Danger label	1	195941
33	Attachment label	1	195951
34	Head adjustment label	1	195961
35	Warning & Safety Instructions label	1	195971
36	Housing attachment labels	2	195981
37	Neuton label	1	176681
	Spool with cord	1	177221

# Schematic Drawing



# LIMITED ONE-YEAR WARRANTY

## Terms and Conditions

The NEUTON™ Cordless Electric Trimmer is warranted for one (1) year against defects in materials or workmanship when put to personal residential household use.

For the purposes of the warranty, “personal residential household use” refers to non-commercial residential use and further excludes misuse, alterations, modifications, accidents, or damage due to inadequate maintenance.

Country Home Products, Inc. certifies that the NEUTON™ Cordless Electric Trimmer is fit for ordinary purposes for which a product of this type is used. Country Home Products, Inc., however, limits the implied warranties of merchantability and fitness in duration to a period of one (1) year in personal residential household use.

The Limited 1-Year Warranty on the NEUTON™ Cordless Electric Trimmer starts on the date the machine is shipped from our factory. The Limited 1-Year Warranty is applicable only to the original owner.

The owner is responsible for the performance of all the required maintenance as defined by the manufacturer’s owner’s manuals.

The owner is responsible for replacement of normally wearing parts including cord spools and cartridges.

During the warranty period, the warranty holder is responsible for any and all shipping and transportation charges, if required.

SOME STATES DO NOT ALLOW LIMITATIONS ON THE LENGTH OF IMPLIED WARRANTIES, SO THE ABOVE LIMITATIONS MAY NOT APPLY TO YOU.

Country Home Products, Inc. shall not be liable under any circumstances for any **incidental or consequential damages or expenses** of any kind, including, but not limited to, cost of equipment rentals, or cost of hiring services to perform tasks normally performed by the NEUTON™ Cordless Electric Trimmer.

SOME STATES DO NOT ALLOW THE EXCLUSION OR LIMITATION OF INCIDENTAL OR CONSEQUENTIAL DAMAGES, SO THE ABOVE LIMITATIONS MAY NOT APPLY TO YOU.

## Technical Support Hotline

Country Home Products, Inc.’s objective is to have 100% satisfied customers. For that reason, we operate a 6-day-per-week Technical Support Department for our NEUTON owners. You can access a Representative by dialing our toll-free hotline at 1-(866)-NEUTON1 (638-8661). The sole job of our well-trained and friendly folks is to ensure that you get any help you need in a timely fashion. They are there to answer all your questions, including: (1) inquiries on the warranty, (2) inquiries about replacement parts, and (3) your questions regarding service, maintenance, and operation.

THIS WARRANTY GIVES YOU SPECIFIC LEGAL RIGHTS, AND YOU ALSO HAVE OTHER RIGHTS WHICH VARY FROM STATE TO STATE.



**COUNTRY HOME PRODUCTS, Inc.**

---

MEIGS ROAD, P.O. BOX 25, VERGENNES, VERMONT 05491

---

1-(866)-NEUTON1 (638-8661) [www.neutonowners.com](http://www.neutonowners.com)

©2004 CHP, Inc. 195921