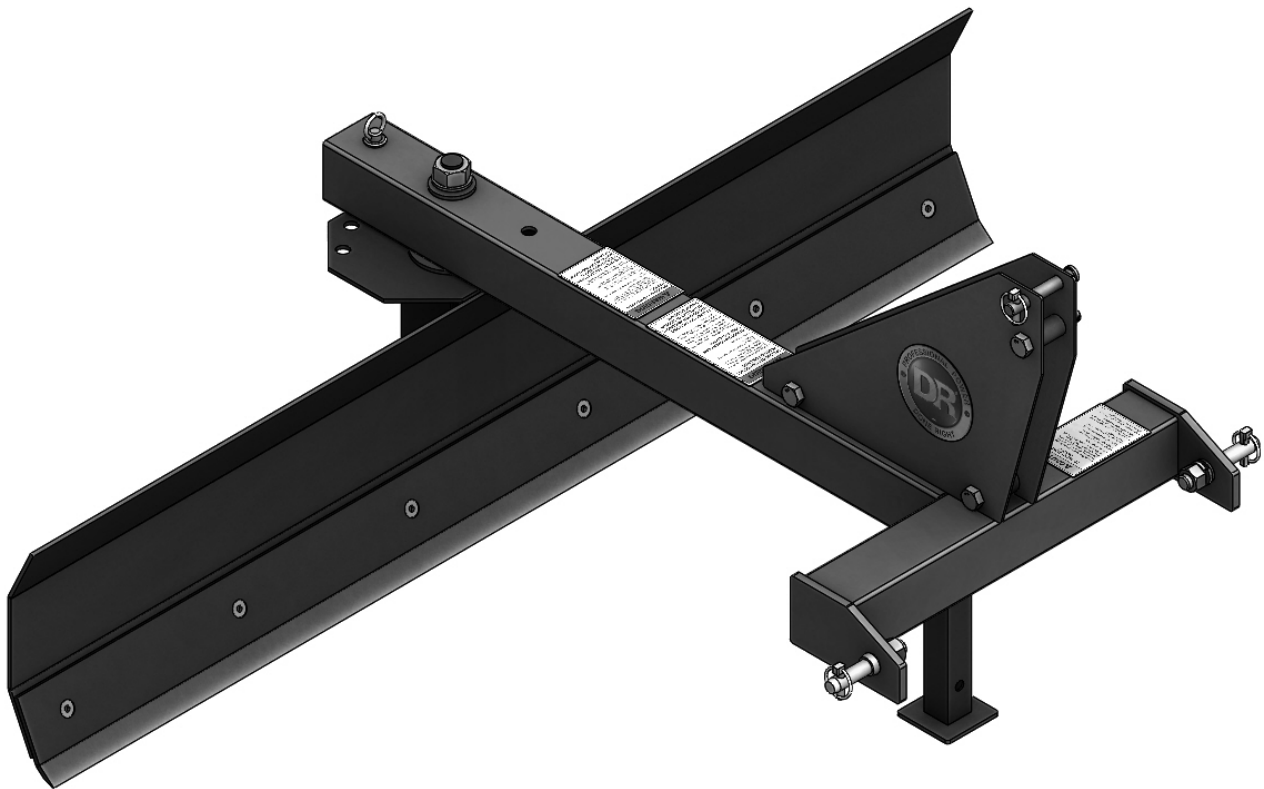


DR® 72" 3PT REAR BLADE

SAFETY & OPERATING INSTRUCTIONS



Serial No. _____

Order No. _____

DR Power Equipment
Toll-free phone: 1-800-DR-OWNER (376-9637)
Fax: 1-802-877-1213
Website: www.DRpower.com

WARNING

Read and understand this manual and all instructions before operating the DR 72" 3PT REAR BLADE.

Table of Contents

Chapter 1: General Safety Rules..... 3
Chapter 2: Setting Up the DR 72" 3PT REAR BLADE..... 6
Chapter 3: Operating the DR 72" 3PT REAR BLADE..... 11
Chapter 4: Maintaining the DR 72" 3PT REAR BLADE 13
Chapter 5: Troubleshooting 14
Chapter 6: Parts Lists, Schematic Diagrams and Warranty..... 16

Conventions used in this manual

⚠ WARNING

This indicates a hazardous situation which, if not avoided, could result in death or serious injury.

⚠ CAUTION

This indicates a hazardous situation which, if not avoided, could result in minor or moderate injury.

NOTICE

This information is important in the proper use of your machine. Failure to follow this instruction could result in damage to your machine or property.

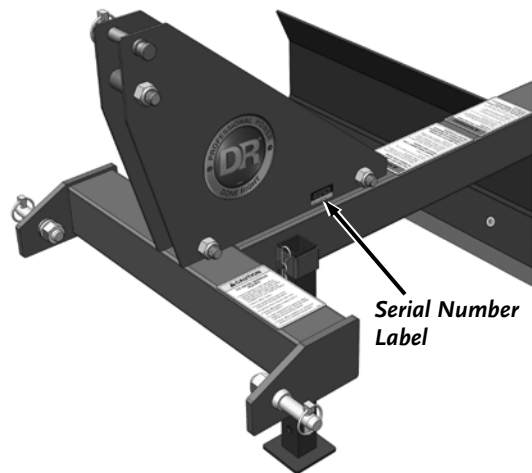


Figure 1

Serial Number and Order Number

A Serial Number is used to identify your machine and is located on the Serial Number Label on your machine (**Figure 1**). An Order Number is used to check and maintain your order history and is located on the upper left portion of your packing slip. For your convenience and ready reference, enter the Serial Number and Order Number in the space provided on the front cover of this manual.

Additional Information and Potential Changes

DR Power Equipment reserves the right to discontinue, change, and improve its products at any time without notice or obligation to the purchaser. The descriptions and specifications contained in this manual were in effect at printing. Equipment described within this manual may be optional. Some illustrations may not be applicable to your machine.

Chapter 1: General Safety Rules

WARNING

Read this safety & operating Instructions manual before you use the DR 72" 3PT REAR BLADE. Become familiar with the operation and service recommendations to ensure the best performance from your machine. If you have any questions or need assistance, please contact us at www.DRpower.com or call toll-free 1-800-DR-OWNER (376-9637) and one of our Technical Support Representatives will be happy to help you.

Labels

Your DR 72" 3PT REAR BLADE carries prominent labels as reminders for its proper and safe use. Shown below are copies of all the Safety and Information labels that appear on the equipment. Take a moment to study them and make a note of their location on your 3PT REAR BLADE as you set up and before you operate the unit. Replace damaged or missing safety and information labels immediately.

WARNING

FALLING OFF CAN RESULT IN BEING RUN OVER.

- Tractor must be equipped with ROPS (or ROPS CAB) and seat belt. Keep foldable ROPS systems in "locked up" position at all times.
- Buckle up! Keep seat belt securely fastened.
- Allow no riders.

RAISED IMPLEMENT CAN DROP AND CRUSH.

- Never go underneath raised implement which can drop due to hydraulic system failures, movement of control levers or mechanical linkage failures.
- Service work does not require going underneath implement. Read manual instructions.

FALLING OFF OR GOING UNDERNEATH IMPLEMENT CAN RESULT IN SERIOUS INJURY OR DEATH.

397221

#39722

WARNING

CRUSHING AND PINCHING HAZARD

- Be extremely careful handling various parts of the machine. They are heavy and hands, fingers, feet, and other body parts could be crushed or pinched between tractor and implement.
- Operate tractor controls from tractor seat only.
- Do not stand between tractor and implement when tractor is in gear.
- Make sure parking brake is engaged before going between tractor and implement.
- Stand clear of machine while in operation or when it is being raised or lowered.

FAILURE TO FOLLOW THESE INSTRUCTIONS COULD RESULT IN SERIOUS INJURY OR DEATH.

397231

#39723

CAUTION

TO AVOID SERIOUS INJURY:

- Read Operator's Manual before operating, servicing, or repairing equipment. Follow all safety rules and instructions. (Manuals are available from your selling dealer.)
- Never allow riders.
- Keep bystanders away from equipment during operation.
- Operate from tractor seat only.
- Keep all shields in place and in good condition.
- Lower equipment to ground, stop engine, remove key, and set brake before dismounting tractor.
- Never allow children or untrained persons to operate equipment.

397241

#39724

Protecting Yourself and Those Around You

WARNING

Always take the following precautions when operating this Rear Blade:

- Always wear protective goggles or safety glasses with side shields while using the DR 72" 3PT REAR BLADE to protect your eyes from possible thrown debris.
 - Wear shoes with non-slip treads when using your DR 72" 3PT REAR BLADE. If you have safety shoes, we recommend wearing them. Do not use the DR 72" 3PT REAR BLADE while barefoot or wearing open sandals.
 - Use ear protectors or ear plugs rated for at least 20 dB to protect your hearing from Tractor noise.
 - Wear Gloves to protect your hands from injury.
-

Safety for Children and Pets

WARNING

Tragic accidents can occur if the operator is not alert to the presence of children and pets. Children and pets are often attracted to the Plowing activity. **Never** assume that children or pets will remain where you last saw them.

- Keep children out of the work area and under the watchful care of a responsible adult.
 - Be alert, stop and turn the Tractor off if children or pets enter the work area.
 - Never allow children to operate the DR 72" 3PT REAR BLADE.
 - Never allow children or pets to ride on the Tractor or the DR 72" 3PT REAR BLADE.
-

Operating the DR 72" 3PT REAR BLADE Safely

WARNING

You must operate the DR 72" 3PT REAR BLADE safely. Unsafe operation can create a number of hazards for you. Always take the following precautions when using this Rear Blade:

- Read, understand, and follow all instructions in this manual. Be thoroughly familiar with the controls and the proper use of your Rear Blade before using.
 - Thoroughly inspect the area where your Rear Blade will be used, and remove all stones, sticks, wire, pet supplies, or lawn toys, and any other foreign objects that you could run over. Also, note the location of stumps, and other possible hazards that you should avoid during operation.
 - Watch for traffic when operating in or near roadways. Pay extra attention when operating near public roadways.
 - When operating in a roadway, we suggest that you put out obstructions (marker cones or pails) to divert any traffic away from your work area.
 - Be aware of your surroundings when operating the DR 72" 3PT REAR BLADE, e.g. ditches, culverts, drop-offs, and hills.
 - Never allow people who are unfamiliar with these instructions to use the DR 72" 3PT REAR BLADE.
 - To be safe, do not operate the Rear Blade near small children or pets, and never allow children to operate the 3PT REAR BLADE. Stop using the Rear Blade when another person or pet approaches.
 - Do not allow people to ride on the Rear Blade.
 - If you have to stop to remove any debris from the Blade, always shut off the Tractor's engine and set the parking brake.
 - Do not, under any conditions, remove, bend, cut, fit, weld, or otherwise alter standard parts on the DR 72" 3PT REAR BLADE. Modifications to your machine could cause personal injuries and will void your warranty.
 - While using the DR 72" 3PT REAR BLADE, don't hurry or take things for granted.
 - Do not operate the Rear Blade when under the influence of alcohol or medication.
 - Use the DR 72" 3PT REAR BLADE only in daylight or good artificial light.
 - Inspect your tractors hydraulic system to assure that it is in proper working order. Refer to your tractors operators' manual for maintenance and safety instructions.
 - For safest operation and to prevent serious injury or death, use a tractor equipped with a Roll-Over Protective System (ROPS) and kept in the "locked up" position at all times
-

Operating the DR 72" 3PT REAR BLADE Safely (continued)

WARNING

- To prevent serious injury or death when using the DR 72" 3PT REAR BLADE a minimum 20% of the combined Tractor and Implement weight must be kept on the front wheels. Weight distribution can be obtained with the use of front Wheel Weights, front Tractor Weights or a front end loader. Do not exceed the tractors ROPS weight certification while attaining the combined minimum 20% of tractor and equipment weight on the front wheel. For the best accurate results, weigh your Tractor and The DR 72" 3PT REAR BLADE.
- When operating on or near slopes or sharp dips, reduce speed and take care when making sharp turns or changing directions to minimize loss of control or tipping. Avoid making sudden stops or starts on slopes.
- Operate Tractor controls from the Tractor seat only.

CAUTION

The DR 72" 3PT REAR BLADE must be operated safely to prevent or minimize the risk of minor or moderate injury. Unsafe operation can create a number of hazards for you. Always take the following precautions when operating this 3PT REAR BLADE:

- Keep in mind that the operator or user is responsible for accidents or hazards occurring to other people, their property, and themselves.
- Inspect your Tractors hydraulic system to assure that it is in proper working order. Refer to your Tractors operators' manual for maintenance and safety instructions.
- Do not use the DR 72" 3PT REAR BLADE to drag, tow, or carry items.
- Never leave the DR 72" 3PT REAR BLADE unattended. If you leave the area, shut off the Tractor, Set the break and remove the key.
- Keep all nuts and bolts tight and keep the equipment and attachments in good operating condition.
- Use only manufacturer-recommended replacement parts.
- Do not use the DR 72" 3PT REAR BLADE in a manner not in accordance with these instructions.
- To prevent loss of control and injury during operation avoid excessive speed
- Use extreme caution when using the DR 72" 3PT REAR BLADE in the rear facing position to fill holes and trenches. Do not use the DR 72" 3PT REAR BLADE as a ram while moving dirt piles.
- To prevent damage when using the DR 72" 3PT REAR BLADE, always take small bites of material, this will limit the load and stress on the Implement.

California Proposition 65

WARNING

California Proposition 65:

- This product contains or emits chemicals known to the State of California to cause cancer, birth defects, and other reproductive harm.

A Note to All Users

No list of warnings and cautions can be all-inclusive. If situations occur that are not covered by this manual, the operator must apply common sense and operate this DR 72" 3PT REAR BLADE in a safe manner. Contact us at www.DRpower.com or call 1-800-DR-OWNER (376-9637) for assistance.

Chapter 2: Setting Up the DR 72" 3PT REAR BLADE

It may be helpful to familiarize yourself with the controls and features of your DR 72" 3PT REAR BLADE as shown in **Figure 2** before beginning these procedures. If you have any questions at all, please feel free to contact us at www.DRpower.com.

DR 72" 3PT REAR BLADE Controls and Features

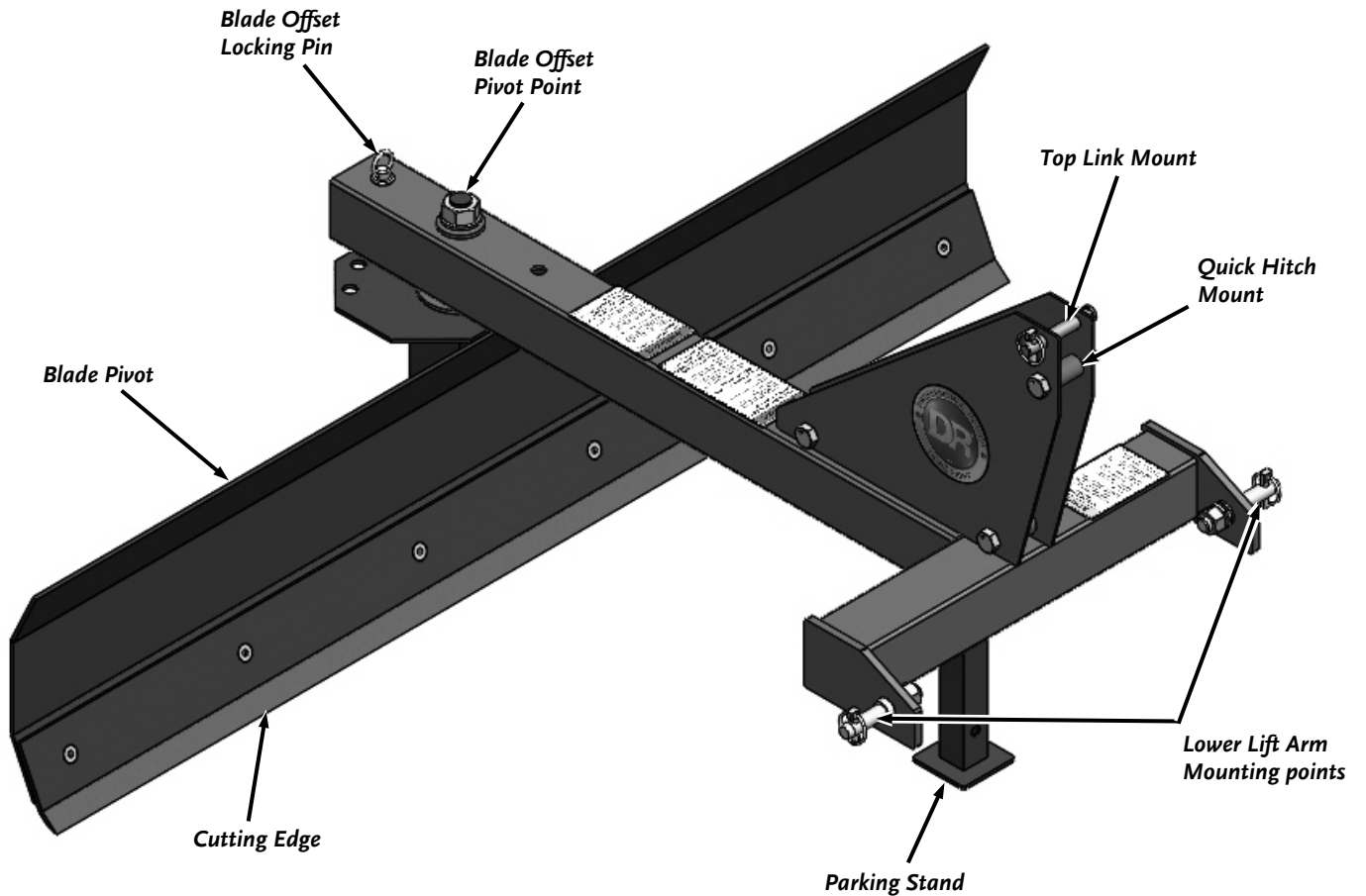


Figure 2

Specifications

Tractor Requirements	20-45 HP Category 1 Tractor
3-Point Hitch Linkage Specs	Category 1 Hitch
Operating Speed	Max Towing Speed - Low Gear 5 MPH
Working Width	72"
Angle Adjustments	Forward 5 positions @ 22.5 Degrees / Rearward 5 Positions @ 22.5
Cutting Edge	Reversible, Bolt On
Rear Blade Stand	Included
3PT Quick Hitch Compatible	Yes
Machine Weight	238 LBS
Machine Dimensions	55" L x 72" W x 36" H

Main Parts (Figure 3 and Table below)

Item#	Description	Qty
1	Blade Assembly	1
2	Rear Blade Stand	1
3	Parts Bag (see Figure 4)	1
4	Frame, Top Link	2
5	Frame	1

Use Figure 3 and the list above to check the parts you received in the package. If you have any questions, please contact us at www.DRpower.com or call 1-800-DR-OWNER (376-9637) for assistance.

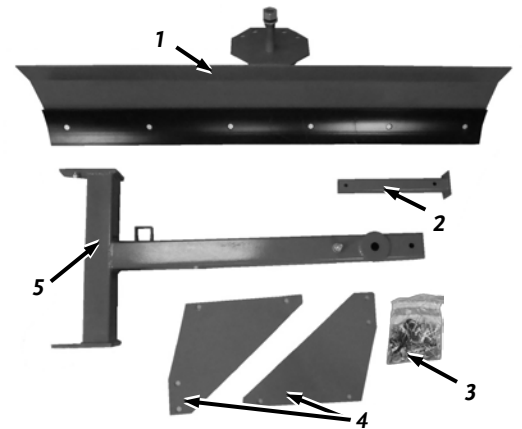


Figure 3

Parts Bag (Figure 4 and Table below)

Item#	Part#	Description	Qty.
1	40035	Pin, Hair, 3mm Wire	1
2	39717	Pin, 15mm	1
3	39374	Screw, Hex, M20 X 2.5 X 100mm, Class 10.9, ZP	3
4	40034	Pin, Top Link, PTO Class 1	1
5	39714	Pin, Anti-Rotation	1
6	32396	Pin, Linch, 7/16" X 1.5", YZP	3
7	32378	Pin, PTO Class 1 Draw	2
8	32380	Nut, Hex, 7/8-9, YZP	2
9	26568	Shim, 1" ID X 1.38" OD X .16" T	2
10	39418	Washer, M30	1
11	32397	Washer, Lock, 7/8", YZP	2
12	39417	Nut, M30 X 3.5	1
13	39375	Nut, Nylon Lock, M20 X 2.5, Class 10, ZP	3
14	39382	Sleeve, Mount, Top Link	1
15	16003	Pin, Hair, 1/2" To 9/16", .12 Wire	1

Use Figure 4 and the list above to check the parts you received in the package. If you have any questions, please contact us at www.DRpower.com or call 1-800-DR-OWNER (376-9637) for assistance.

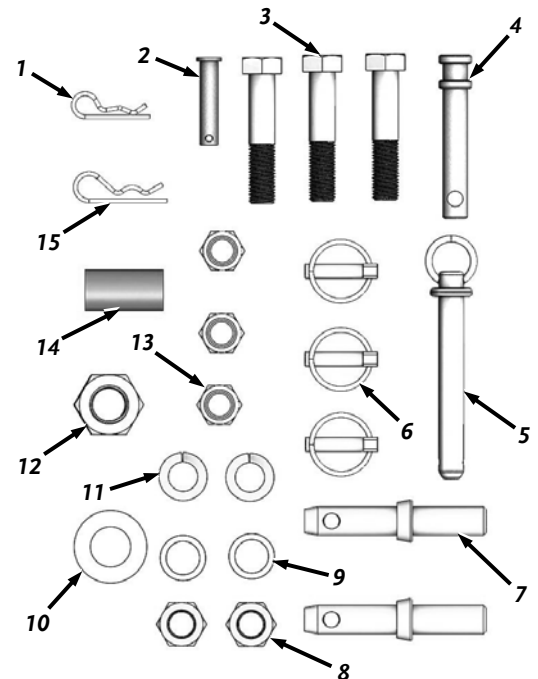


Figure 4

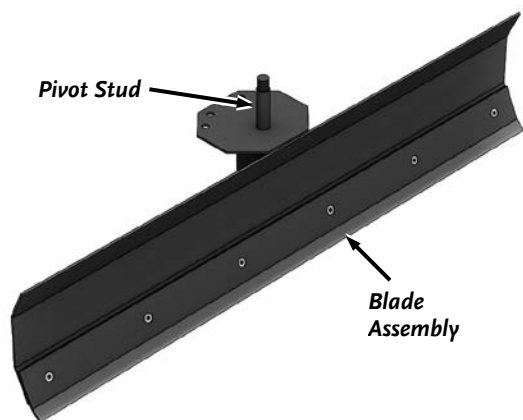


Figure 5

Assembly

Tools Needed

- Large Adjustable wrench
- Two 30mm Wrenches
- #3 Phillips Head Screwdriver or 5/16" punch
- General-Purpose Grease

CAUTION

The Blade Assembly and Frame are heavy. Have a helper assist you when positioning these parts to avoid injury.

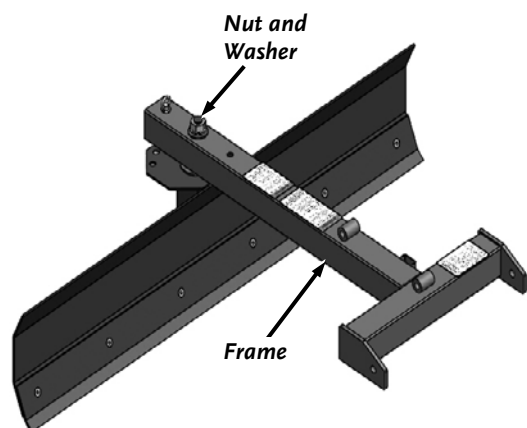


Figure 6

1. Locate a clean flat surface to assemble the 3PT REAR BLADE.
2. Position the Blade Assembly as shown and have a helper hold it in position for the next step (**Figure 5**).
3. Apply some general-purpose Grease to the pivot stud.
4. With assistance, assemble the Frame (Labels facing up) to the Blade Assembly Pivot Stud (**Figure 6**). Lay the front of the Frame onto the working surface.
5. Secure the Blade Assembly and Frame with the M30 Nut and M30 Flat Washer using a Large Adjustable Wrench
6. Loosely secure the two Top Link Frames to the Frame with two M20 X 100 Bolts and two M20 Lock Nuts (**Figure 7**).
7. Install the M20 X 100 Bolt, Mount Sleeve and M20 Locknut in the second hole from the top in the Top Link Frames (**Figure 8**). Tighten all of the Top Link Frame hardware using two 30mm Wrenches.

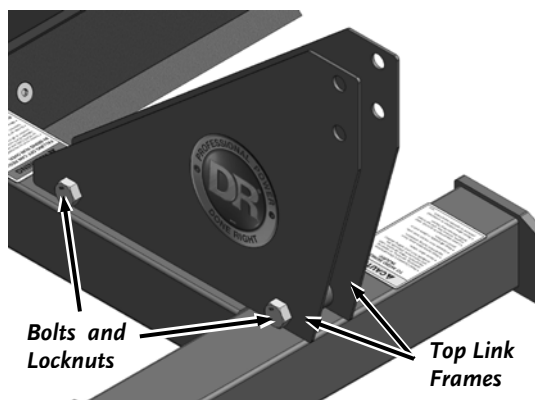


Figure 7

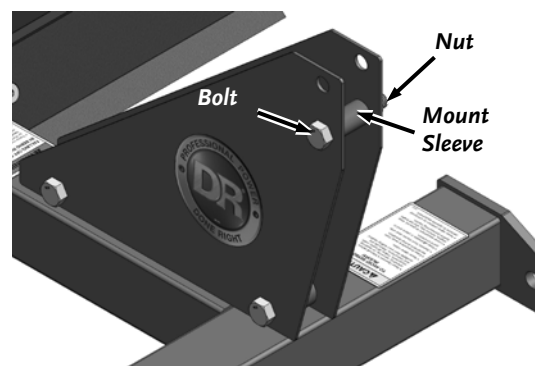


Figure 8

8. With assistance, lift the Frame and install the Rear Blade Stand into the Stand Mount on the Frame (**Figure 9**). Align the top hole in the Stand with the hole in the Stand Mount. Secure the Stand using the 15mm Pin and 3mm Wire Hair Pin.
9. Lower the Rear Blade to ground, resting on the Stand.
10. Install the PTO Class 1 Draw Pins to the Frame (**Figure 10**). Loosely secure with 1"ID X 1.38"OD Shim, 7/8" Lock Washer and 7/8" Hex Nut.
11. Insert a #3 Phillips Head Screwdriver or 5/16" Punch into the hole of the Draw Pin. Hold the Screwdriver or Punch then tighten the Nut with a Large Adjustable Wrench.

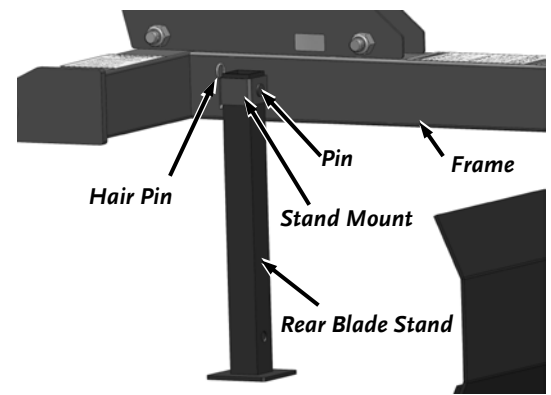


Figure 9

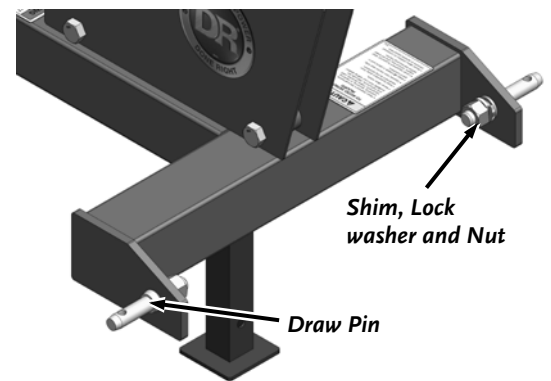


Figure 10

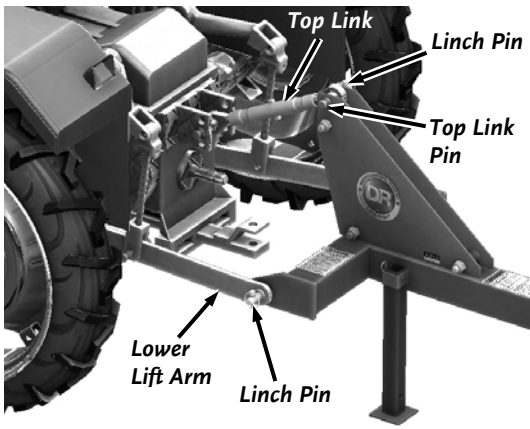


Figure 11

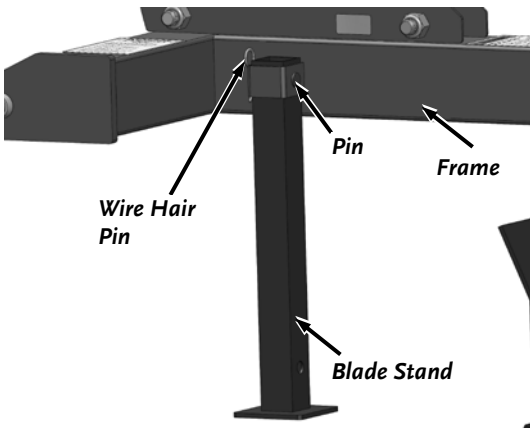


Figure 12

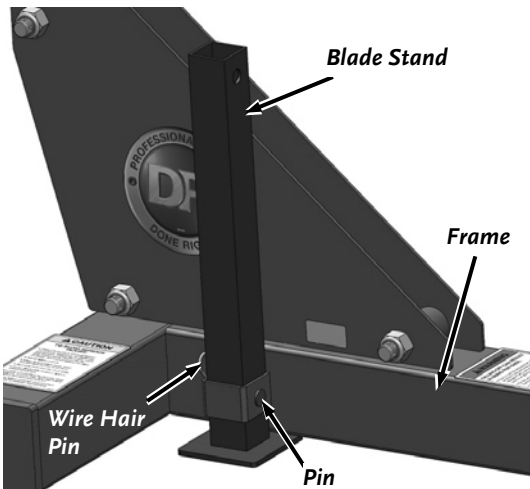


Figure 13

Attaching the DR 72" 3PT REAR BLADE to the Tractor

1. Position the rear of the Tractor centered at the Rear Blade Assembly (**Figure 11**).
2. Slide the Lower Lift Arms onto the Draw Pins and secure with the Linch Pins.
3. Position the top link inside the Top Link Frame of the 3PT REAR BLADE.
4. Adjust the top link by lengthening or shortening it to align the holes in the Top Link and Top Link Frame.
5. Insert the Top Link Pin into the aligned holes and secure with the Linch Pin.
6. Refer to your Tractor Operator's manual for specific instructions on how to adjust the Lower Lift Arms as needed to center the 3PT REAR BLADE and keep the Rear Blade from swaying side to side.
7. Using the Tractors Lift Arms, raise the 3PT REAR BLADE slightly off the surface. Remove the Wire Hair Pin and Pin that secure the Blade Stand to the Frame (**Figure 12**).
8. Raise the Rear Blade Stand to the working position, by sliding the Stand upward in the Frame. Align the lower hole in the Stand to the hole in the Frame and secure with Pin and Wire Hair Pin (**Figure 13**).

Chapter 3: Operating the DR 72" 3PT REAR BLADE

It may be helpful to better familiarize yourself with the features of your 3PT REAR BLADE by reviewing **Figure 2** in Chapter 2 before beginning the steps outlined in this chapter.

Operating Safety

! WARNING

- Never allow anyone to operate the DR 72" 3PT REAR BLADE without first reading and understanding all instructions in this manual. Be thoroughly familiar with the controls and the proper use of your Rear Blade before using.
 - Never let people ride on the DR 72" 3PT REAR BLADE.
 - Always check for objects in the Rear Blade's path before moving.
 - When operating in a roadway, we suggest that you put out obstructions (marker cones or pails) to divert any traffic away from your work area. Always be aware of potential traffic hazards.
-

Operating Parameters

- **Utility Tractor**
 - 3 PT hitch Category 1.
 - 20-45 HP.

Operating Tips

- When Grading with the DR 72" 3PT REAR BLADE expect to make several passes to repair a driveway. Angle the blade and pull the dirt towards the center of the driveway creating a crown. You can then level the Crown by straightening the blade.
 - When using the DR 72" 3PT REAR BLADE to fill Pot Holes, you may find it easier to use a combination of Scraping and Backfilling to fill and level the hole.
 - Avoid large rocks, embedded ledge, cattle guards, or similar obstructions.
 - Use low gear when using the DR 72" 3PT REAR BLADE – Do not exceed 5 MPH.
 - Use caution when working around slopes. Always Pass diagonally through sharp dips. Avoid working around sharp drops to prevent hanging up the Tractor or Blade.
 - Reduce ground speed when working around slopes or rough terrain.
-

NOTICE

Frequently check the tightness of the Bolts that fasten the Cutting Edge to the Frame.

! WARNING

- Before making any adjustments to the DR 72" 3PT REAR BLADE please take caution and keep the work area clear of distractions.
- Only make adjustments when the DR 72" 3PT REAR BLADE is hooked to the tractor.
- Never make adjustments when the tractor is running. Always Shut the Tractor off and set the parking brake.
- Only lift the DR 72" 3PT REAR BLADE high enough off the ground to make the adjustments.
- Never place your feet or any other body part between the DR 72" 3PT REAR BLADE and the ground.
- Lower the Rear Blade completely to the ground surface when transporting on a trailer, parking on a hill, or servicing the Rear Blade.

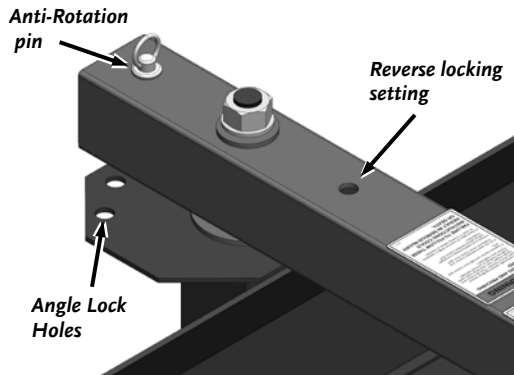


Figure 14

Adjusting the Working Angle

The Rear Blade angle can be set at three different settings left or right to determine how aggressively and what direction to move and molds the material.

1. Remove the Wire Hair Pin that secures the Anti-Rotation Pin and remove the Anti Rotation Pin (**Figure 14**).
2. Rotate the blade to the desired working angle (**Figure 15**).
 - To use the blade in the reverse setting, rotate the blade 180° so that the Cutting Edge is facing in reverse.
3. Reinsert the Anti-Rotation Pin and secure with the Wire Hair Pin.

Grading

Grading can be accomplished with the DR 72" 3PT REAR BLADE by facing the Cutting Edge towards the Tractor. Set your desired working angle, then lower the Rear Blade to the ground to set your cutting depth. When working in a rough area, it helps to take small cuts to work down the high spots first. You may also need to work in different directions to loosen the soil.

Backfilling.

The DR 72" 3PT REAR BLADE can be used for light conventional backfilling. To use the DR 72" 3PT REAR BLADE for backfilling, rotate the blade 180° so that the Cutting Edge is facing in the rear direction (**Figure 16**). When backfilling, adjust the Top Link so that the Main Frame is level front to back, or tipped slightly lower to the rear

Be cautious when operating the DR 72" 3PT REAR BLADE in the rear position. Operate at a slow speed and avoid any hard jarring movements and moving very heavy loads. Do not use the DR 72" 3PT REAR BLADE to ram into a dirt pile as this can be very dangerous and can cause injury. Keep the load centered in the blade and always keep a slight upward lift on the 3point Lift Arms. This will prevent the Cutting Edge from digging into the ground.

Snow Removal

Snow removal can be done in the rearward facing direction. Be cautious of your surroundings when using the DR 72" 3PT REAR BLADE for snow removal as objects can be hidden. It is recommended that you survey your work area before starting the work. Keep a slight upward lift on the 3point Lift Arms. This will prevent the Cutting Edge from digging into the ground

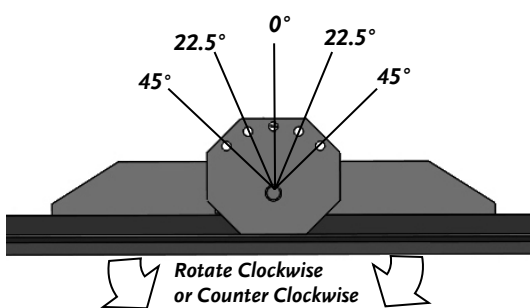


Figure 15

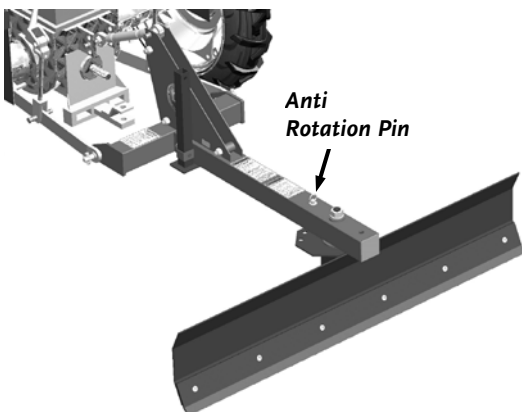


Figure 16

Chapter 4: Maintaining the DR 72" 3PT REAR BLADE

Regular maintenance is the way to ensure the best performance and long life of your machine. Please refer to this Chapter for maintenance intervals and procedures.

⚠ WARNING

- Before performing any maintenance you must first lower the Implement to the ground or on Blocks to take pressure off the hydraulic system, shut off the Tractor, remove the key and set the parking brake.
- Never trust the Tractors hydraulic system to hold the Rear Blade while performing maintenance and/or adjustments.
- To avoid injury, never position yourself between the 3PT REAR BLADE and the ground or the Tractor.

Regular Maintenance Checklist

PROCEDURE	BEFORE EACH USE	EVERY 25 HOURS
Check general equipment condition e.g., Nuts, Bolts, welds, etc.	▲	
Use a Hose or Pressure Washer to clean the 3PT REAR BLADE	▲	
Check Cutting Edge	▲	
Lubricate Pivot Pin		▲

Cleaning the 3PT REAR BLADE

Use a Hose or Pressure Washer to keep the DR 72" 3PT REAR BLADE'S Cutting Edge, Pivot Point etc. clean and clear of debris.

Repositioning/Replacing the Cutting Edge

Tools Needed:

- 8mm Allen Wrench
- 19mm Wrench
- Support Blocks

If your Tractor has a Lockout Valve, use it to support the Cutting Edge off the ground. We recommend also placing blocks under the Rear Blade to ensure it will not lower accidentally while adjustment/maintenance is performed.

1. Lower the DR 72" 3PT REAR BLADE onto Support Blocks so that the Cutting Edge is lifted off the ground. Support Blocks are best placed directly under the Side Arm mounting points on the Frame (**Figure 17**).
2. Remove the six Flat Head Screws and Locknuts that hold the Cutting Edge to the Blade Pivot using an 8mm Allen Wrench and 19mm Wrench (**Figure 18**).
3. Remove the Cutting Edge and clean the mounting area of the Blade Pivot.

Note: The Cutting Edge has two edges for extended life and can be repositioned so the edge that was on top is now facing down (cutting position) when necessary.

4. Reposition the Cutting Edge onto the Blade Pivot with the unused edge facing down. Secure the Cutting Edge with the Six Flat Head Screws and Locknuts using an 8mm Allen Wrench and 19mm Wrench.
5. If your DR 72" 3PT REAR BLADE'S Cutting Edge needs replacing, follow steps 1 thru 3 to remove the old Cutting Edge. Position the new Cutting Edge onto the Blade Pivot and secure with six Flat Head Screws and Locknuts using an 8mm Allen Wrench and 19mm Wrench.

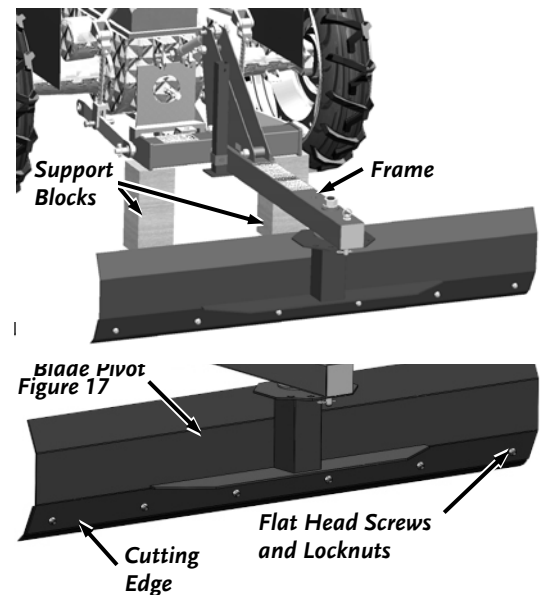


Figure 18

Chapter 5: Troubleshooting

Most problems are easy to fix. Consult the Troubleshooting Table below for common problems and their solutions. If you continue to experience problems, contact us at www.DRpower.com or call toll-free 1-800-DR-OWNER (376-9637) for support.

WARNING

Before performing any maintenance, you must first shut off the Tractor, remove the key and set the parking brake.

Troubleshooting Table

SYMPTOM	POSSIBLE CAUSE
<i>The Cutting Edge is not penetrating the soil</i>	<ul style="list-style-type: none">⇒ The Cutting Edge is dull. Rotate or replace the Cutting Edge.⇒ The Blade pitch is set too straight. Adjust the Top Link to add more pitch.⇒ The soil in the area you are working in is too hard. Use scarifiers to loosen up the soil
<i>The Cutting Edge is digging in too much or taking away too much material</i>	<ul style="list-style-type: none">⇒ The Rear Blade pitch is set too excessive. Adjust the Top Link to decrease the pitch⇒ The work area you are working in is too soft.
<i>Unable to control and hold a level grade</i>	<ul style="list-style-type: none">⇒ The Tractor's draft control is lifting the Rear Blade. Check and reset the draft control.⇒ The soil you are working with is too hard. Use scarifiers to loosen the soil.

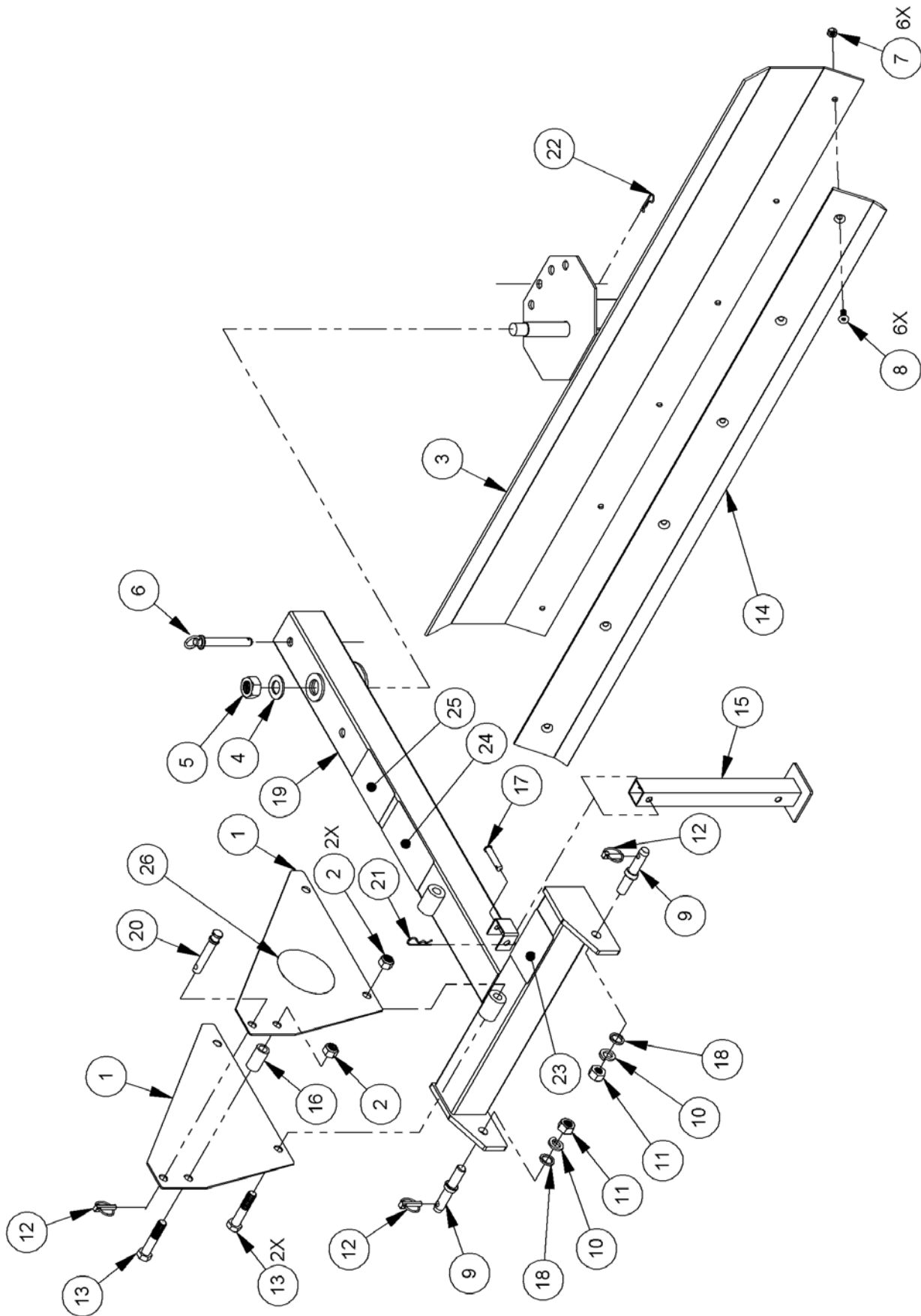
Chapter 6: Parts Lists, Schematic Diagrams and Warranty

Parts List – REAR BLADE ASSEMBLY

Note: Part numbers listed are available through DR Power Equipment.

<u>Ref#</u>	<u>Part#</u>	<u>Description</u>	<u>Ref#</u>	<u>Part#</u>	<u>Description</u>
1	39377	Frame, Top Link	15	39381	Stand
2	39375	Nut, Nylon Lock, M20 X 2.5mm, Class 10, ZP,	16	39382	Sleeve, Mount, Top Link
3	39378	Pivot, Blade	17	39717	Pin, 15mm
4	39418	Washer, M30	18	26568	Shim, 1"ID X 1.38"OD, X .16"T
5	39417	Nut, M30	19	10000031369	Frame, Rear Blade, W/Labels
6	39714	Pin, Anti-Rotation	20	40034	Pin, Top Link, PTO Class 1
7	39716	Nut, Nylon Lock, M12 X 1.75mm Class 10, ZP	21	40035	Pin, Hair, 3mm Wire
8	39715	Screw, Flat Head, M12 X 1.75mm, X 30mm	22	16003	Pin, Hair, 1/2" To 9/16", .12" Wire
9	32378	Pin, Draw, PTO Class 1	23	39424	Label, Caution, General, 3PT Ground Engaging
10	32397	Washer, Lock, 7/8", YZP	24	39722	Label, Warning, Falling And Crushing, 3PT
11	32380	Nut, Hex, 7/8"-9, YZP	25	39723	Label, Warning, Crushing And Pinching, 3PT
12	32396	Pin, Linch, 7/16" X 1.5", YZP	26	34141	Label, DR Logo, 5.75" Sliver
13	39374	Screw, Hex Head, M20 X 2.5mm X 100mm, Class 10, ZP			
14	39380	Edge, Cutting			

Schematic – REAR BLADE ASSEMBLY



Notes:

DR® 3PT REAR BLADE



2-Year Limited Warranty

Terms and Conditions

The DR® 3PT REAR BLADE is warranted for two (2) years against defects in materials or workmanship when put to ordinary and normal consumer use; ninety (90) days for any other use.

For the purposes of all the above warranties, "ordinary and normal consumer use" refers to non-commercial residential use and does not include misuse, accidents or damage due to inadequate maintenance.

DR Power Equipment certifies that the DR® 3PT REAR BLADE is fit for ordinary purposes for which a product of this type is used. DR Power Equipment however, limits the implied warranties of merchantability and fitness in duration to a period of two (2) years in consumer use, ninety (90) days for any other use.

The 2-Year Limited Warranty on the DR® 3PT REAR BLADE starts on the date the machine ships from our factory. The 2-Year Limited Warranty is applicable only to the original owner.

The warranty holder is responsible for the performance of the required maintenance as defined by the manufacturer's owner's manuals. The warranty holder is responsible for replacement of normally wearing parts such as the Cutting Edge are not covered by this warranty.

During the warranty period, the warranty holder is responsible for the machine transportation charges, if required. During the warranty period, warranty parts will be shipped by standard method at no charge to the warranty holder. Expedited shipping of warranty parts is the responsibility of the warranty holder.

SOME STATES DO NOT ALLOW LIMITATIONS ON THE LENGTH OF IMPLIED WARRANTIES, SO THE ABOVE LIMITATIONS MAY NOT APPLY TO YOU.

DR Power Equipment shall not be liable under any circumstances for any **incidental or consequential damages or expenses** of any kind, including, but not limited to, cost of equipment rentals, loss of profit, or cost of hiring services to perform tasks normally performed by the DR® 3PT REAR BLADE.

SOME STATES DO NOT ALLOW THE EXCLUSION OR LIMITATION OF INCIDENTAL OR CONSEQUENTIAL DAMAGES, SO THE ABOVE LIMITATIONS MAY NOT APPLY TO YOU.

THIS WARRANTY GIVES YOU SPECIFIC LEGAL RIGHTS, AND YOU ALSO HAVE OTHER RIGHTS, WHICH VARY FROM STATE TO STATE.

Daily Checklist for the DR 72" 3PT REAR BLADE

To help maintain your DR 72" 3PT REAR BLADE for optimum performance, we recommend you follow this checklist each time you use your 3PT REAR BLADE.

! WARNING

Before performing any maintenance, you must first shut off the Tractor, remove the key and set the parking brake.

- [] **HARDWARE:** Check all nuts and bolts to be sure that the components are secure.
- [] **FRAME:** Check all welds to be sure that the frame is intact and secure.
- [] **CLEAN:** Make sure the Cutting Edge and the Frame are clean and free of debris.

End of Season and Storage

! WARNING

Before performing any maintenance, you must first shut off the Tractor, remove the key and set the parking brake.

- Use a Hose or Pressure Washer to clean the DR 72" 3PT REAR BLADE.
- Lubricate the pivot point.
- Wipe down the DR 72" 3PT REAR BLADE to remove any moisture and dirt that may have accumulated.
- If possible, store the 3PT REAR BLADE in a dry, protected place. If it is necessary to store the 3PT REAR BLADE outside, cover it with a protective material.



75 MEIGS ROAD, P.O. BOX 25, VERGENNES, VERMONT 05491